



GFG
FOUNDATION

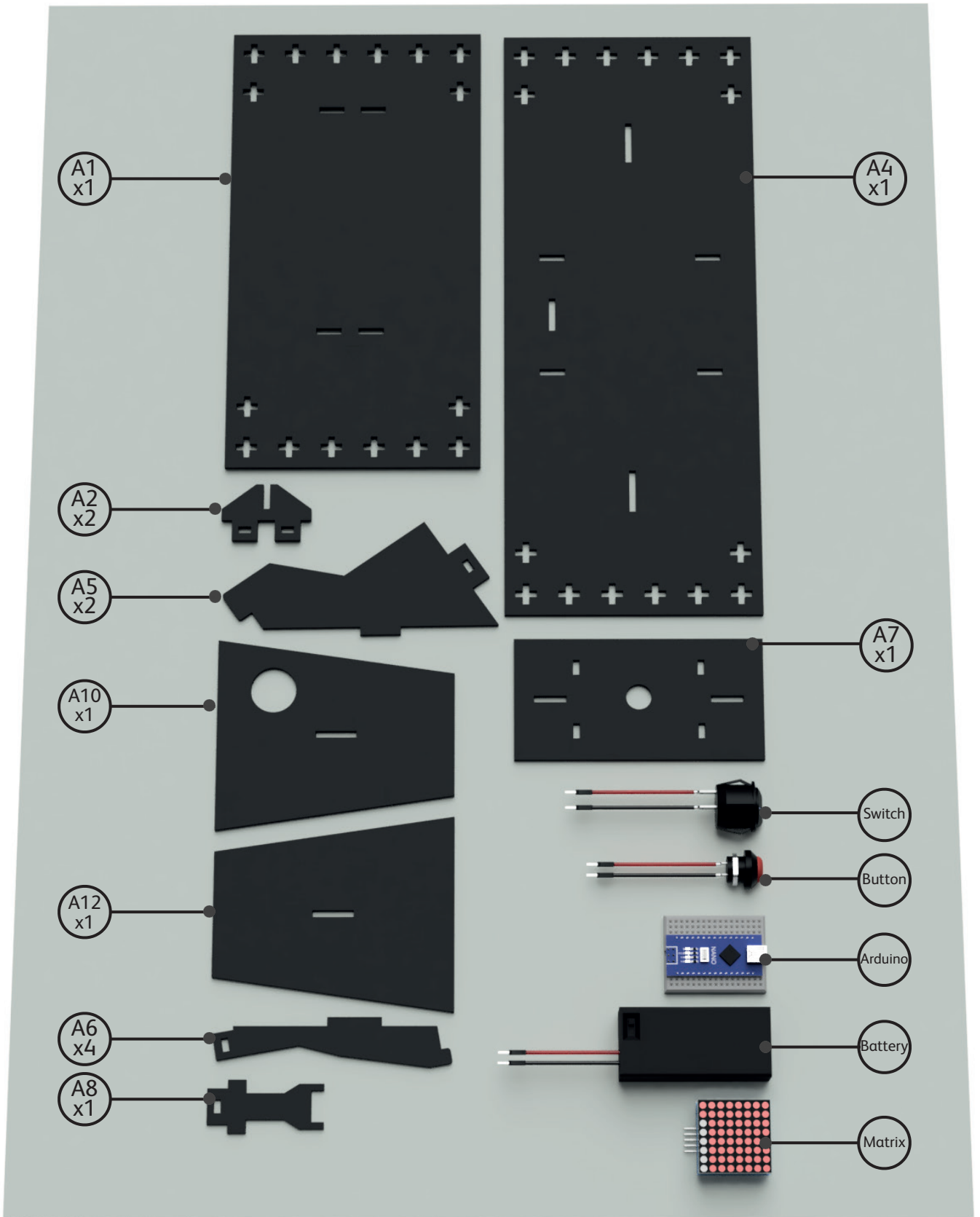
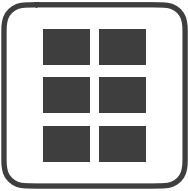
Powered by
Rewise

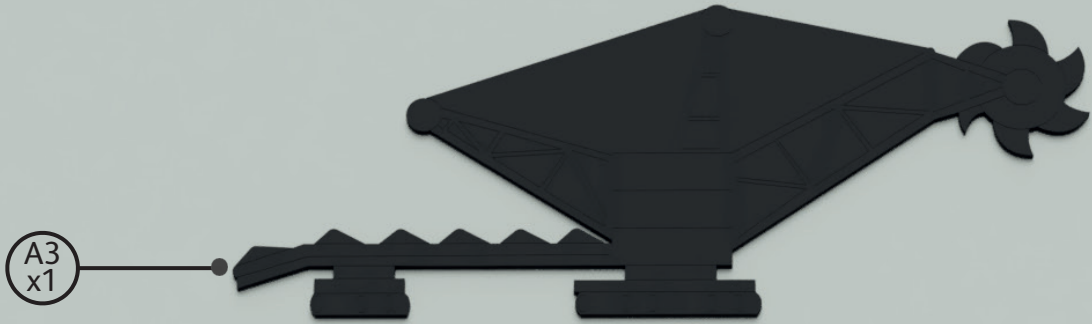
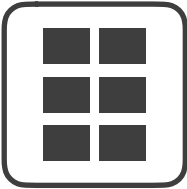
GFG Foundation Provocarea STEAM

Raw Materials
Assembly Instructions

România







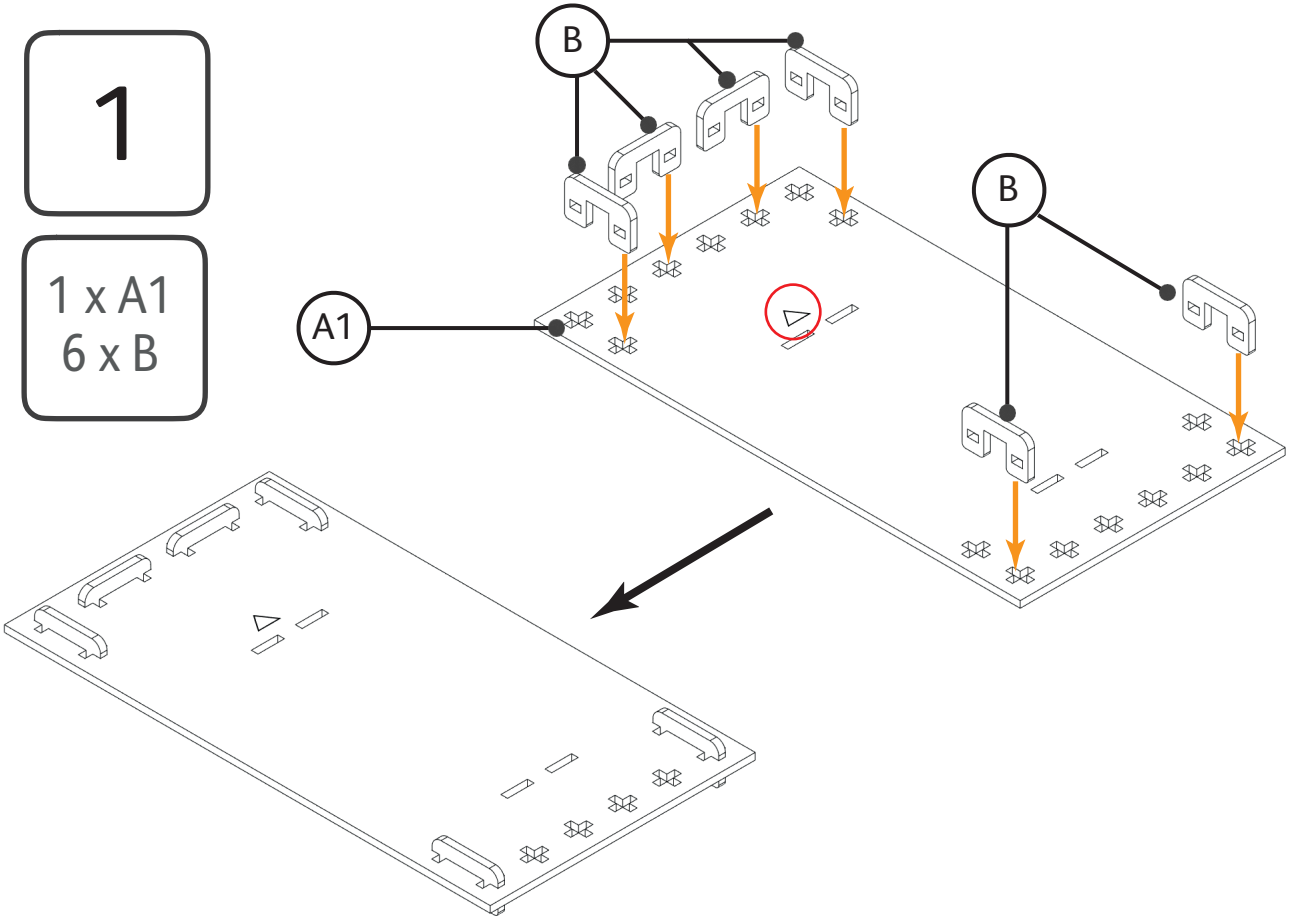
B
x12

A
x11

C
x12

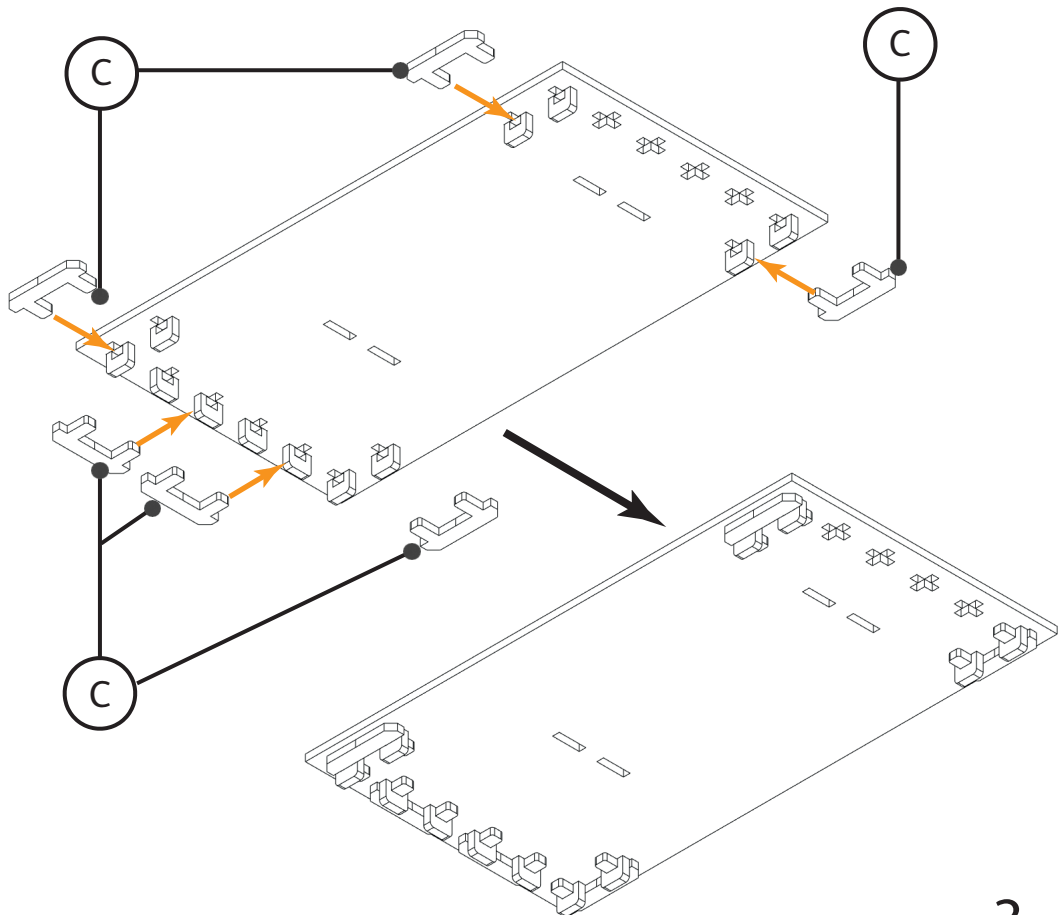
1

1 x A1
6 x B



2

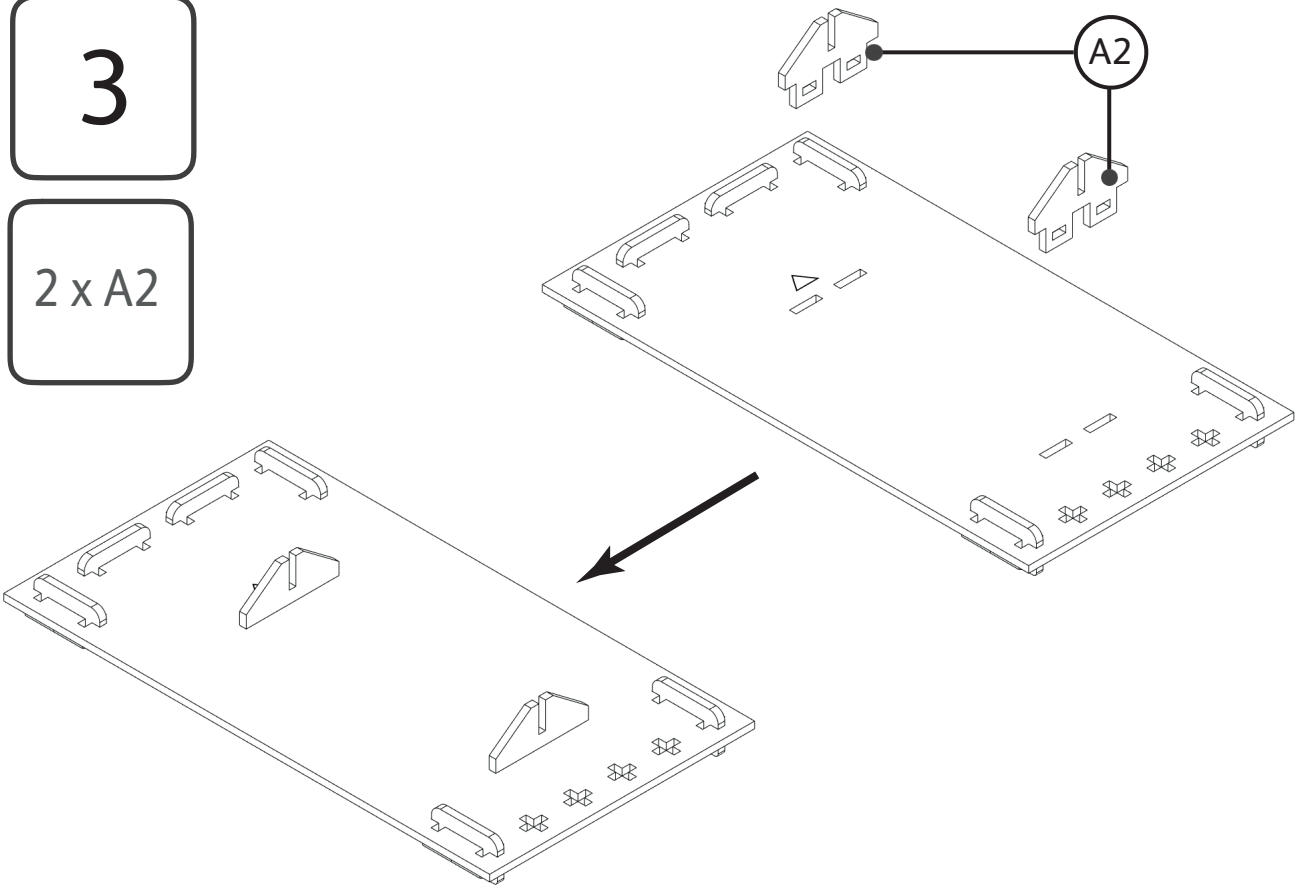
6 x C



3

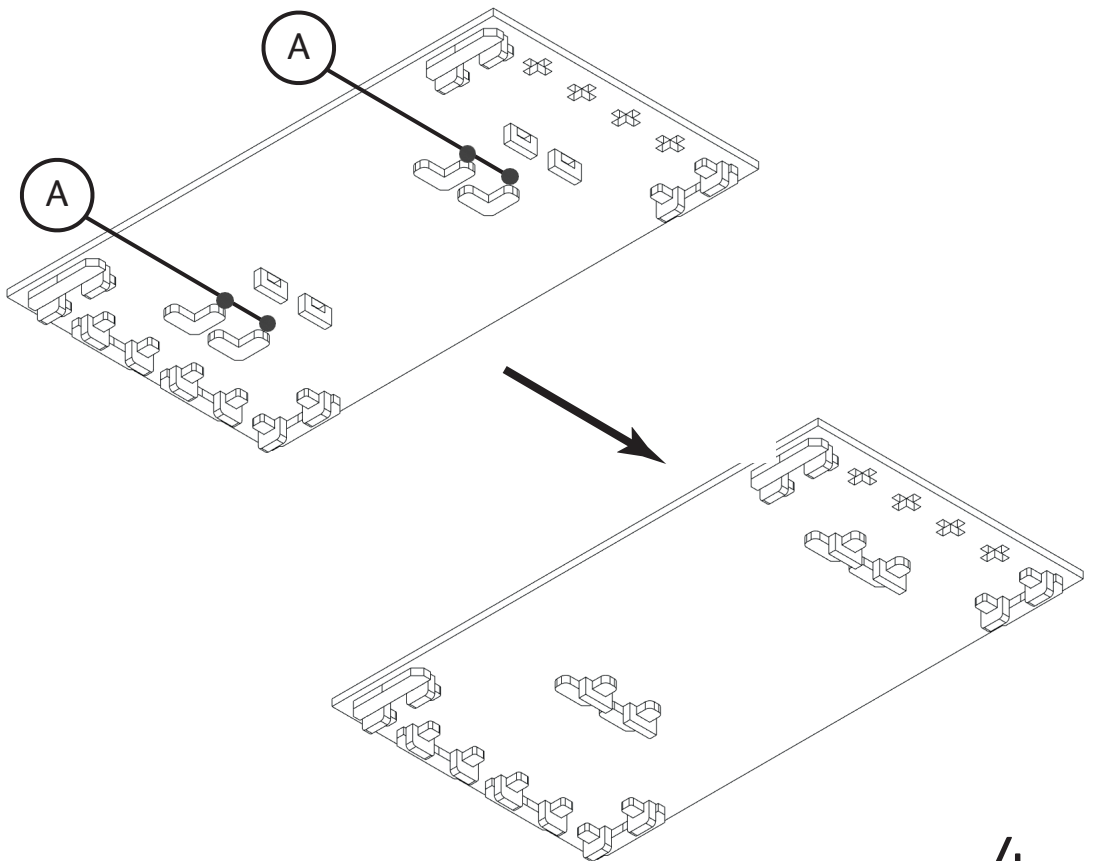
3

2 x A2



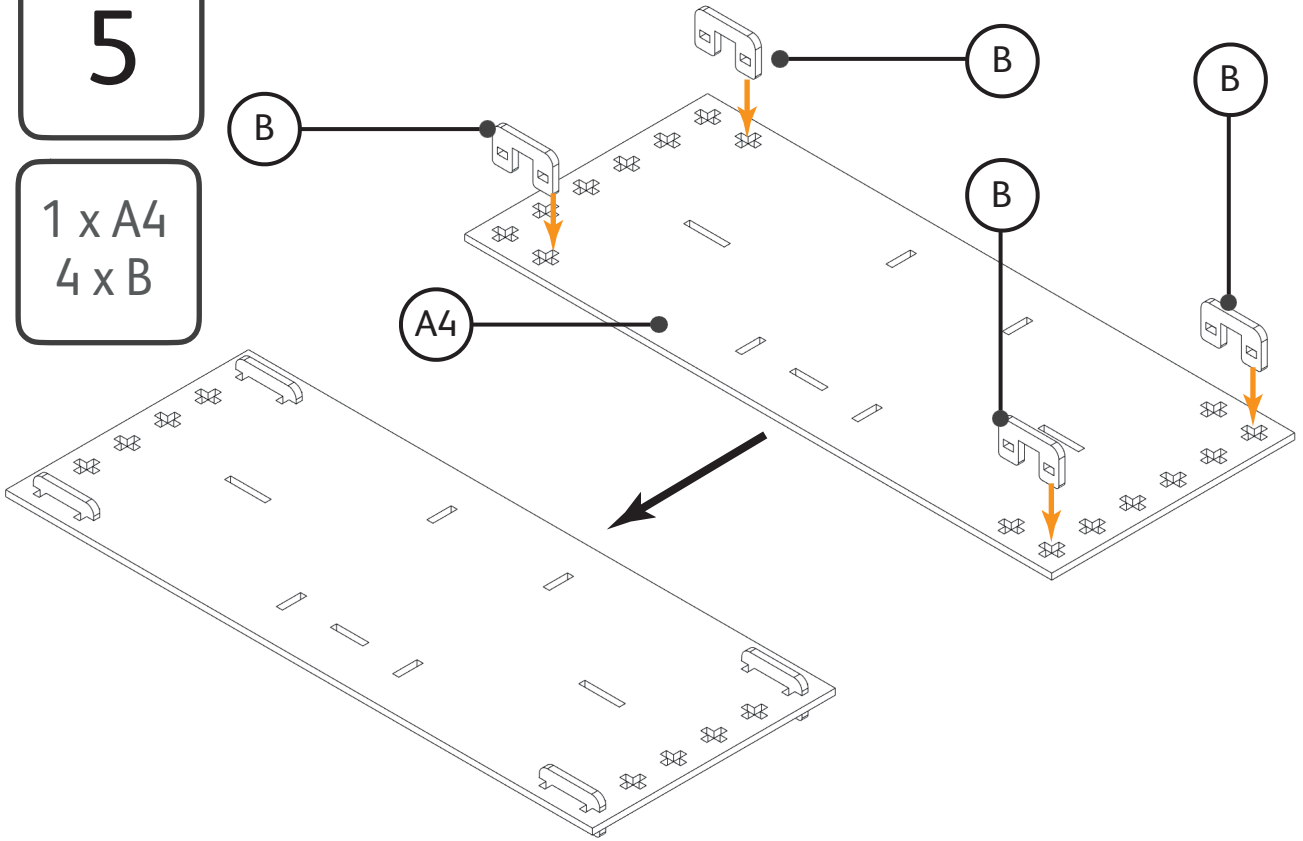
4

4 x A



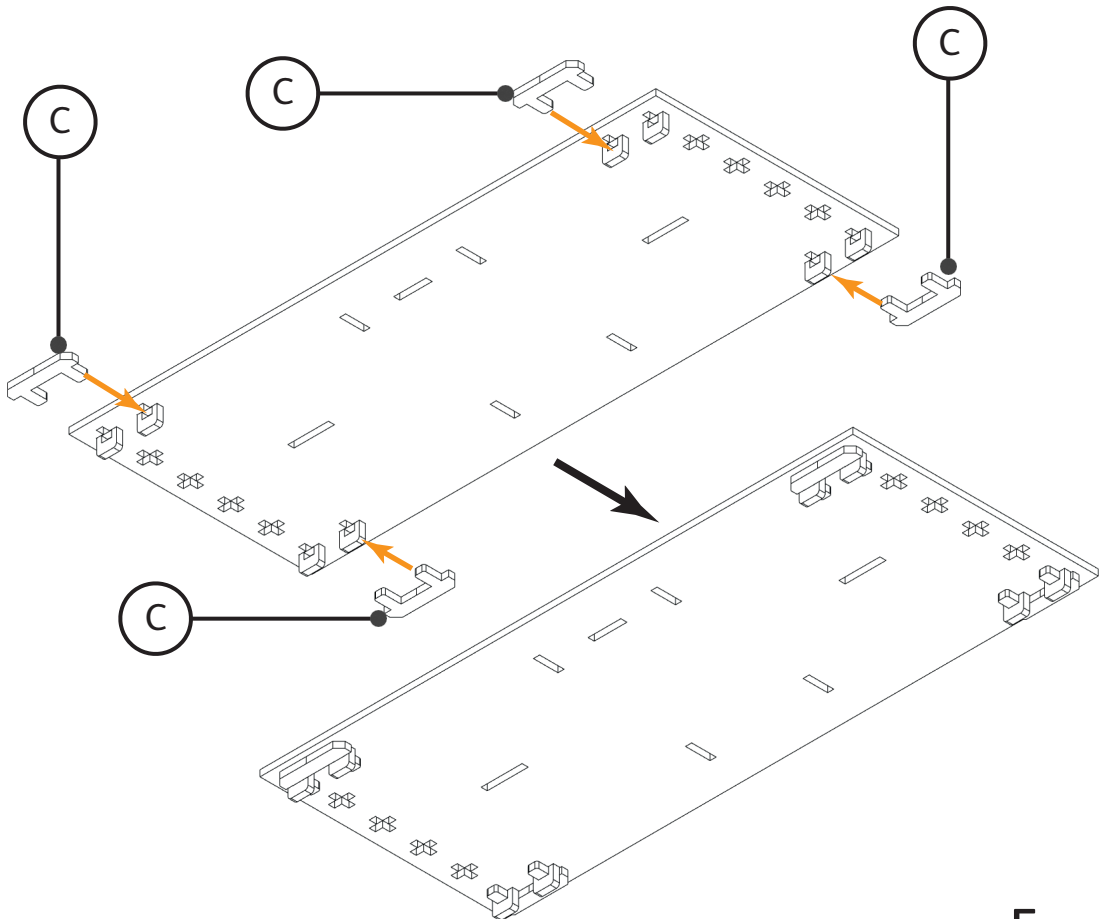
5

1 x A4
4 x B



6

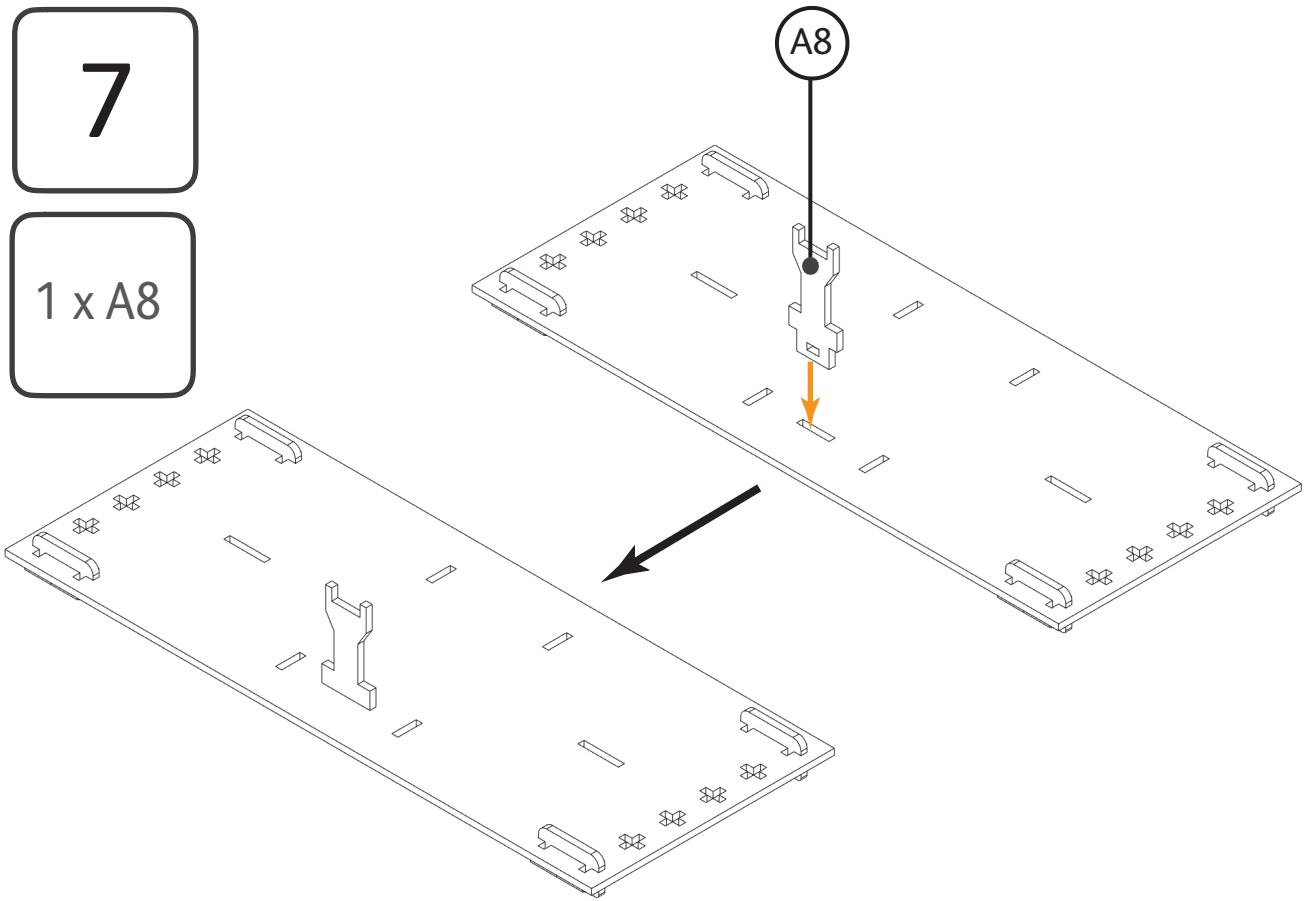
4 x C



5

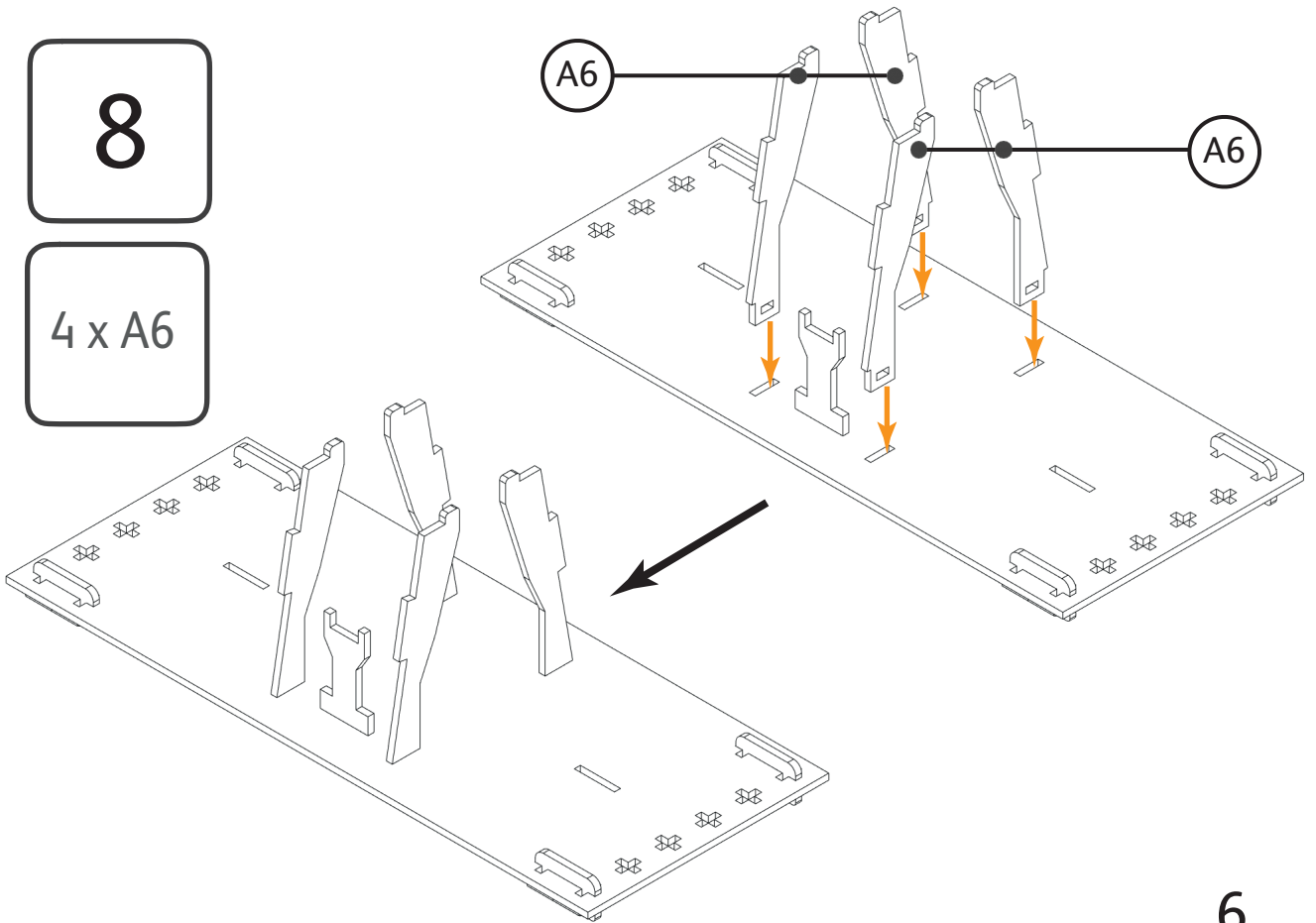
7

1 x A8



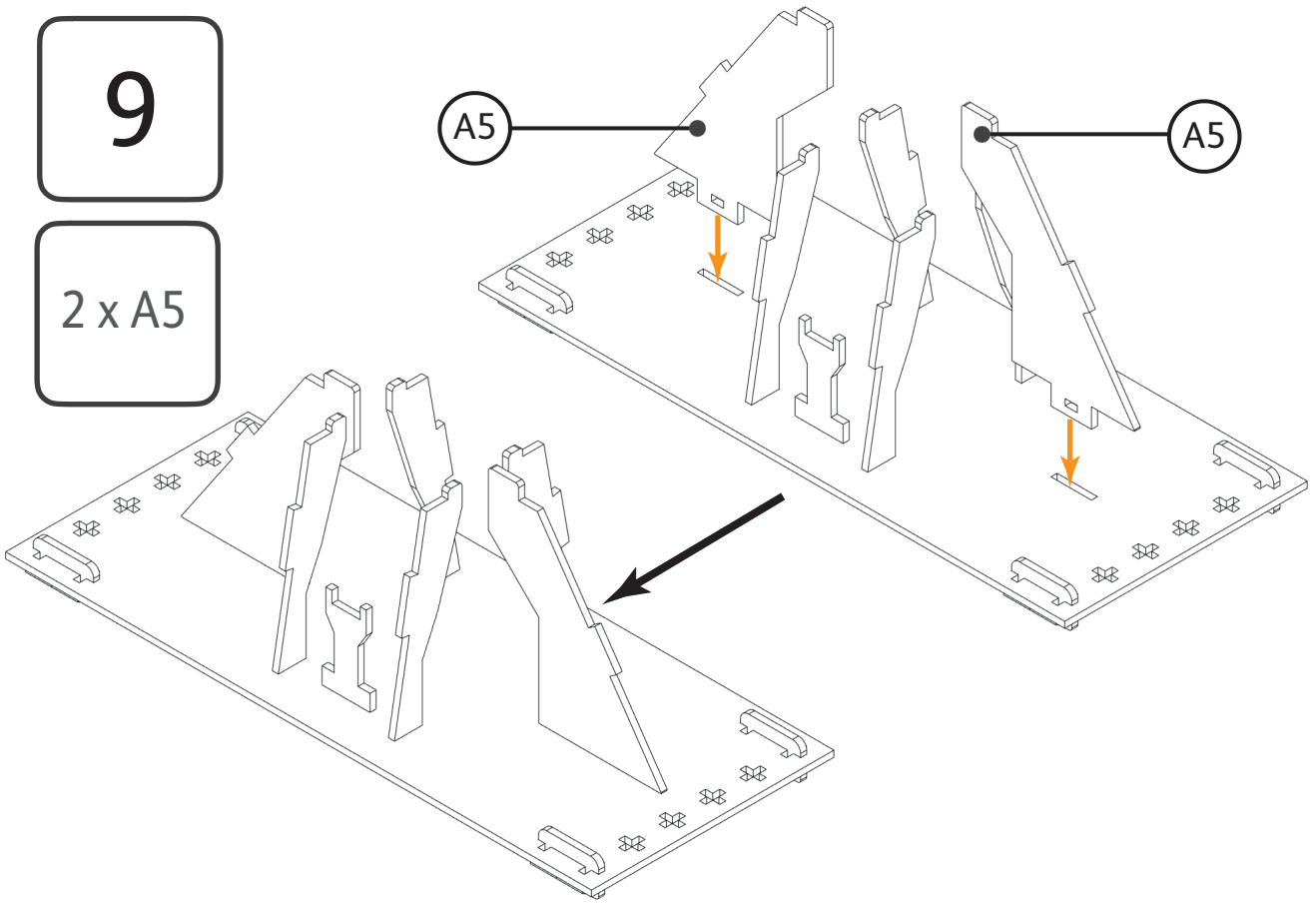
8

4 x A6



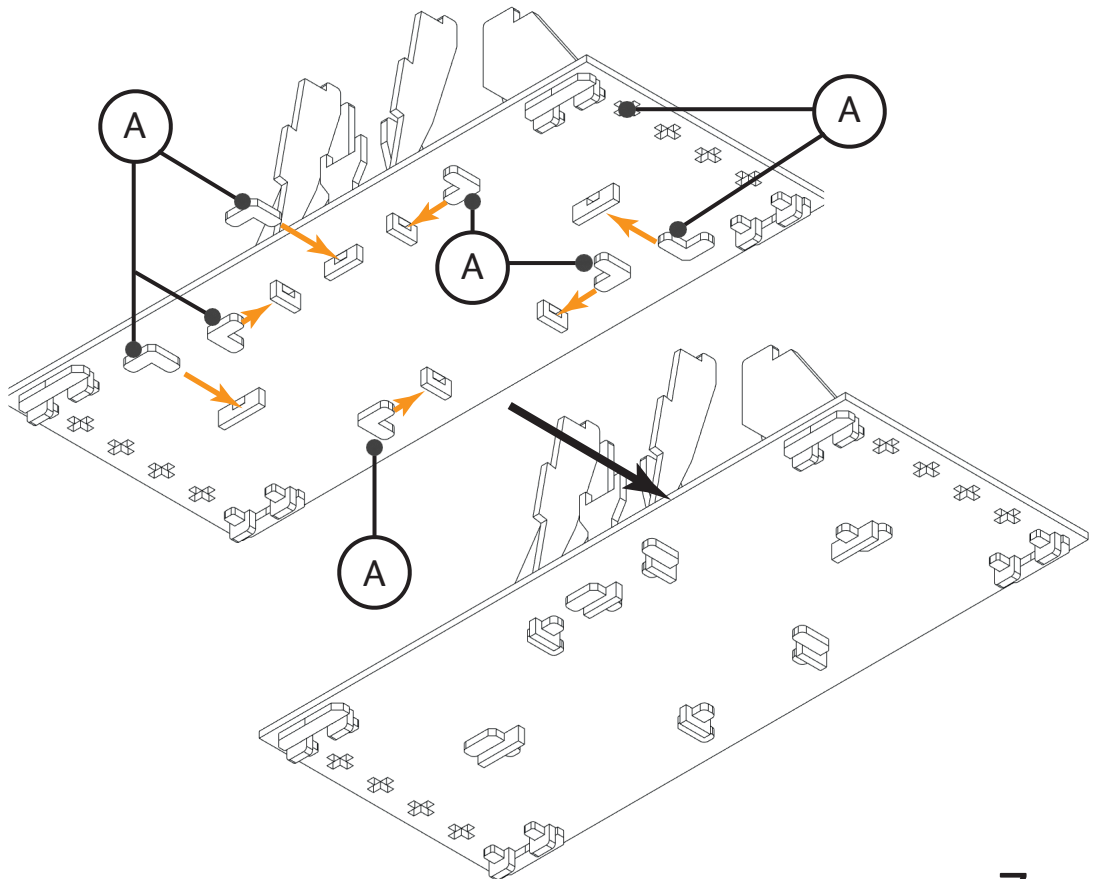
9

2 x A5



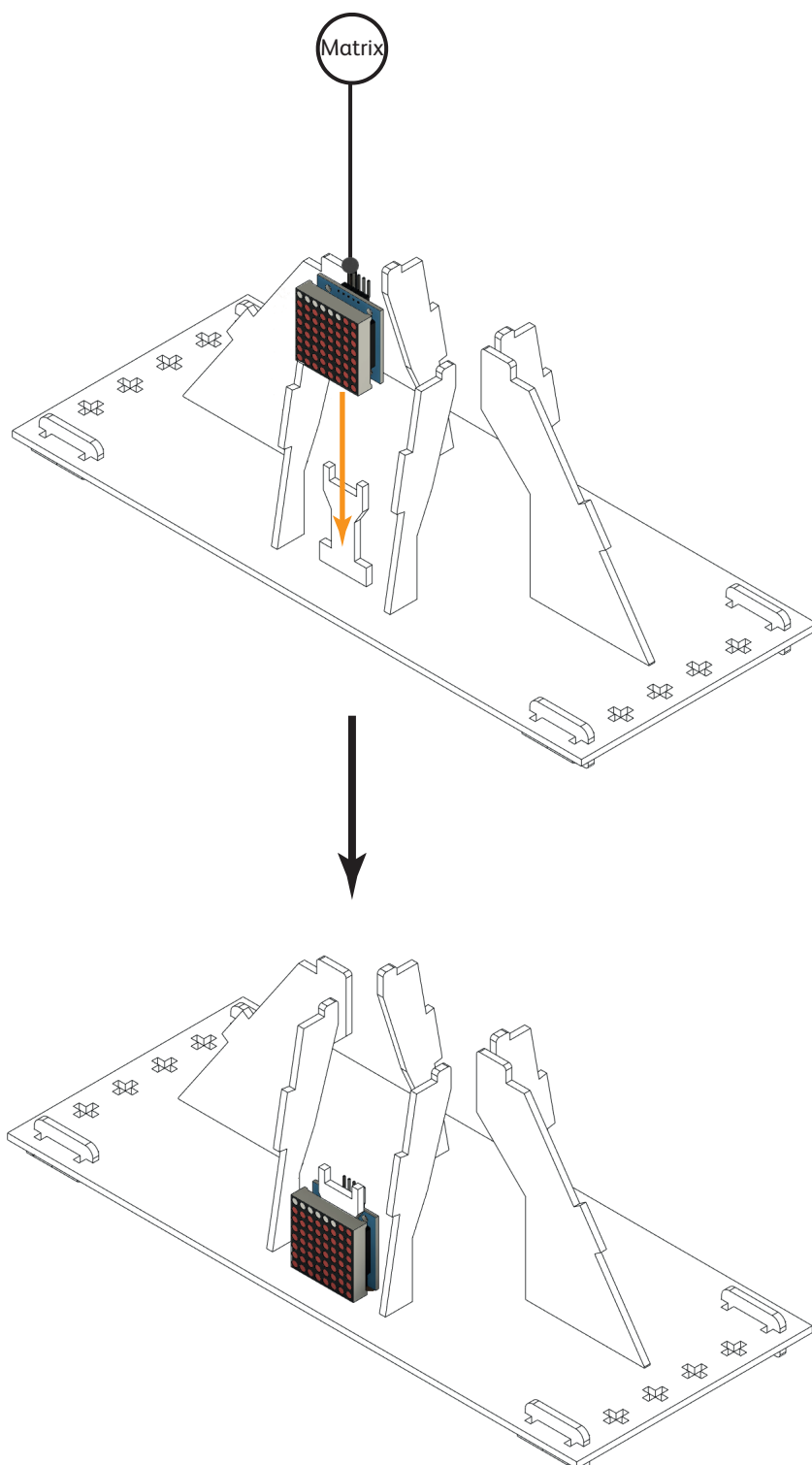
10

7 x A



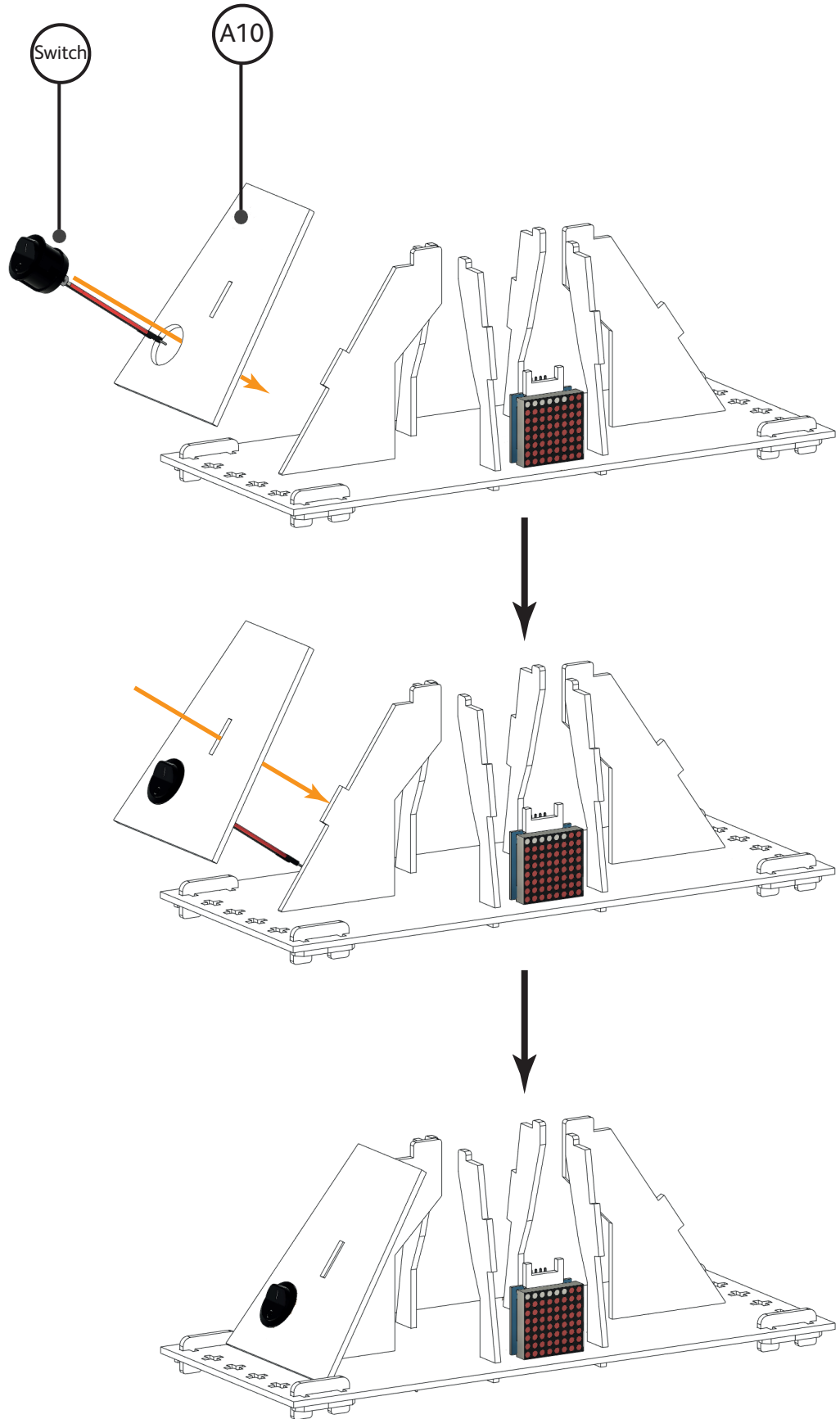
11

1 x Matrix



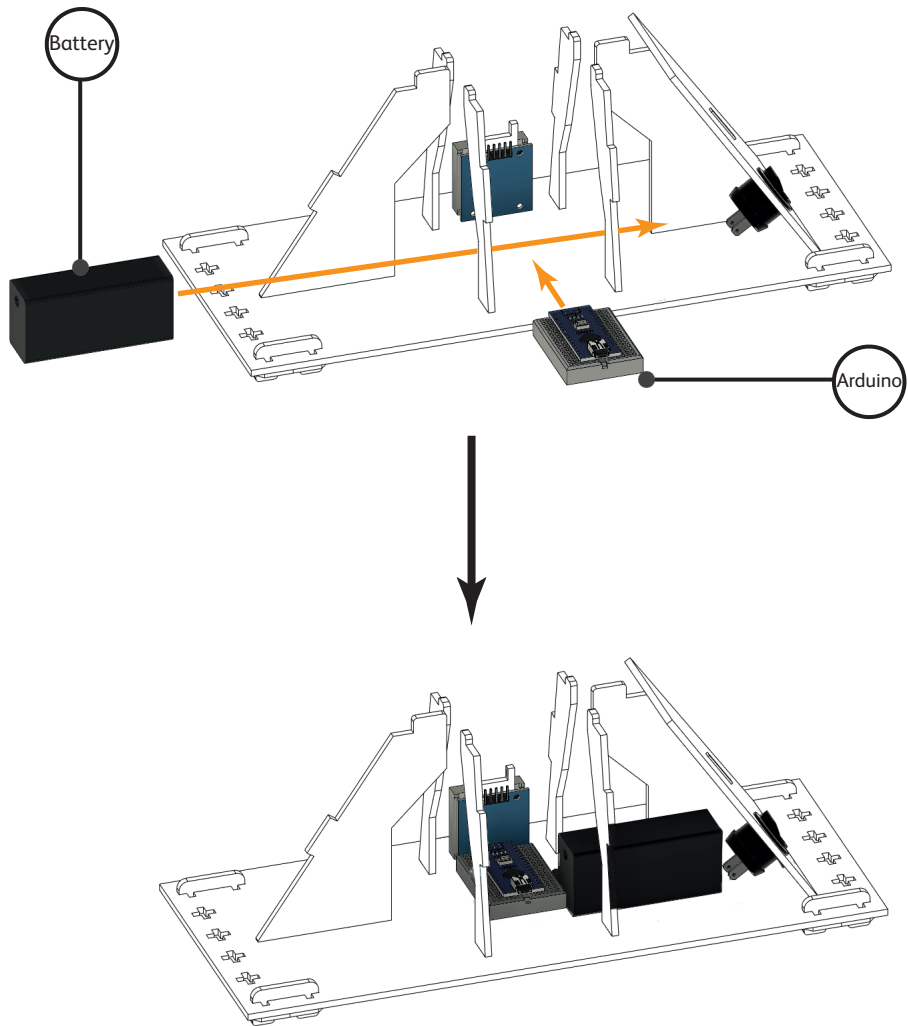
12

1 x A10
1 x Switch



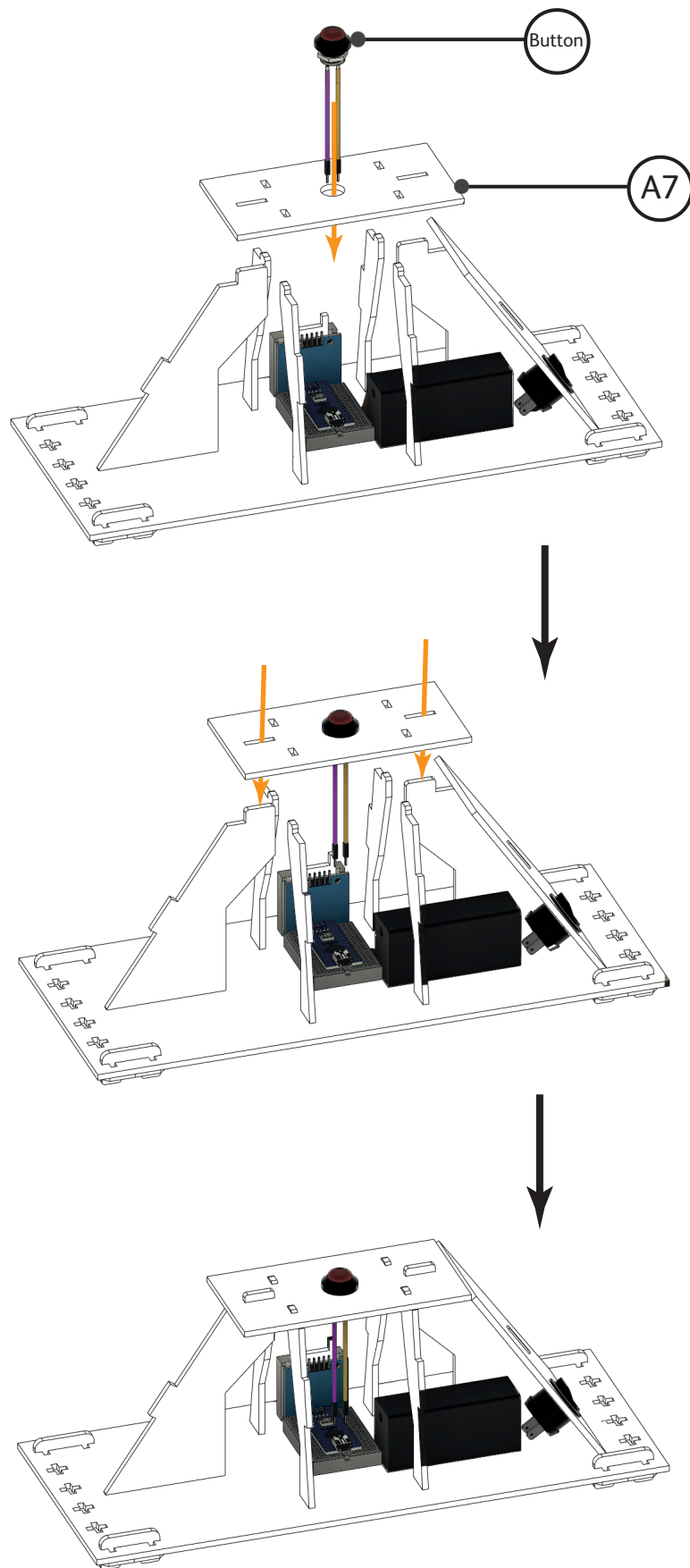
13

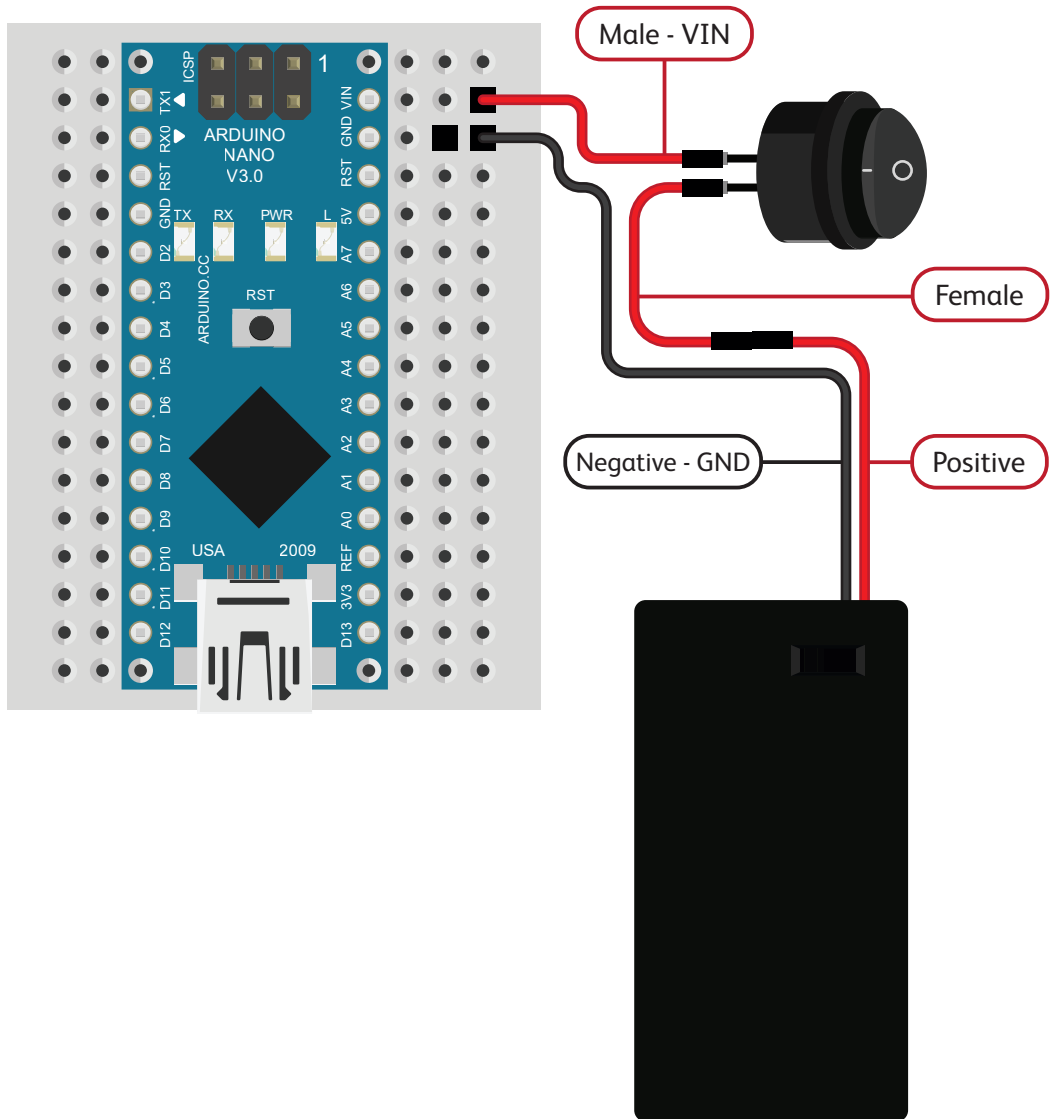
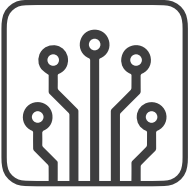
1 x Battery
1 x Arduino

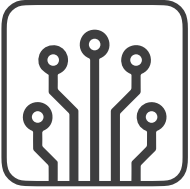


14

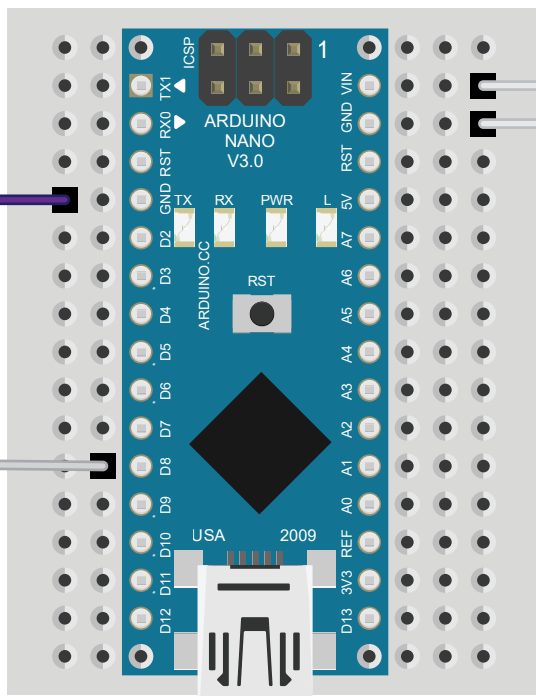
1 x A7
1 x Button



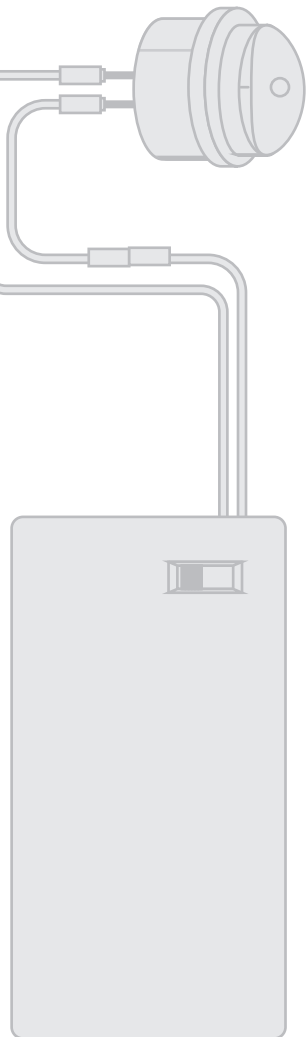


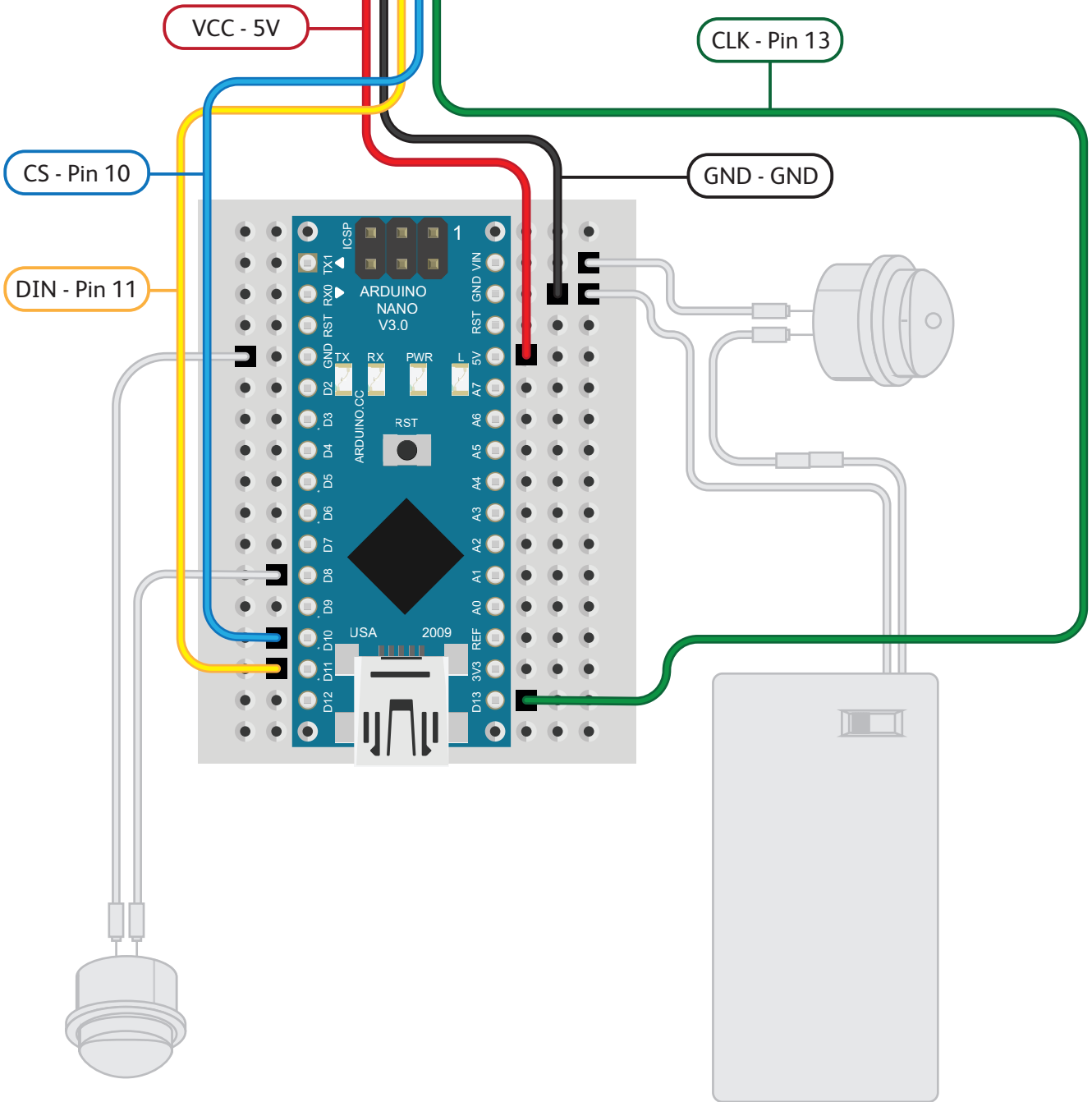
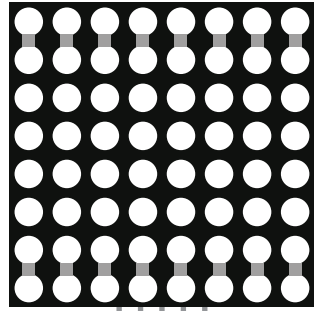
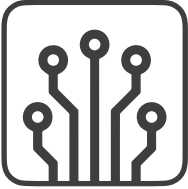


Negative - GND



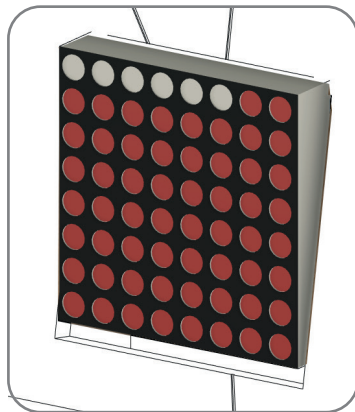
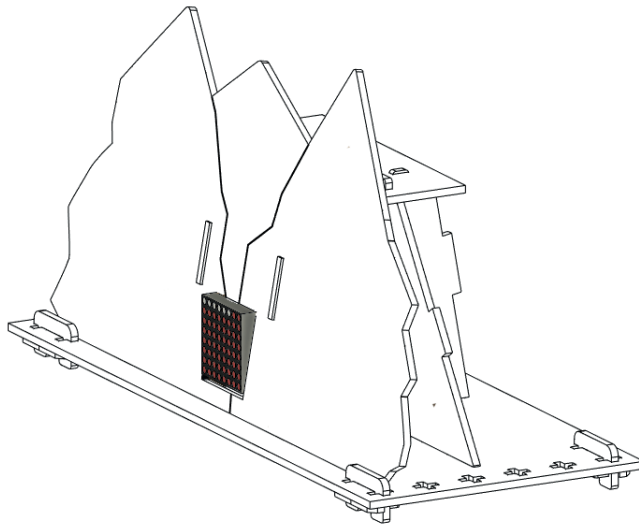
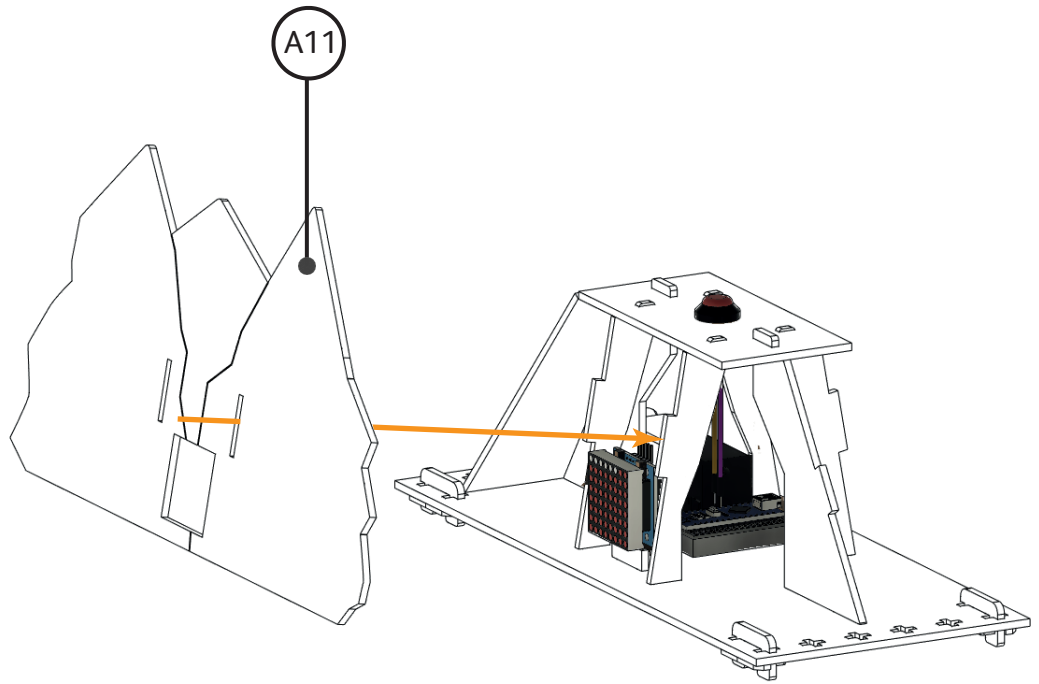
Positive - Pin 8





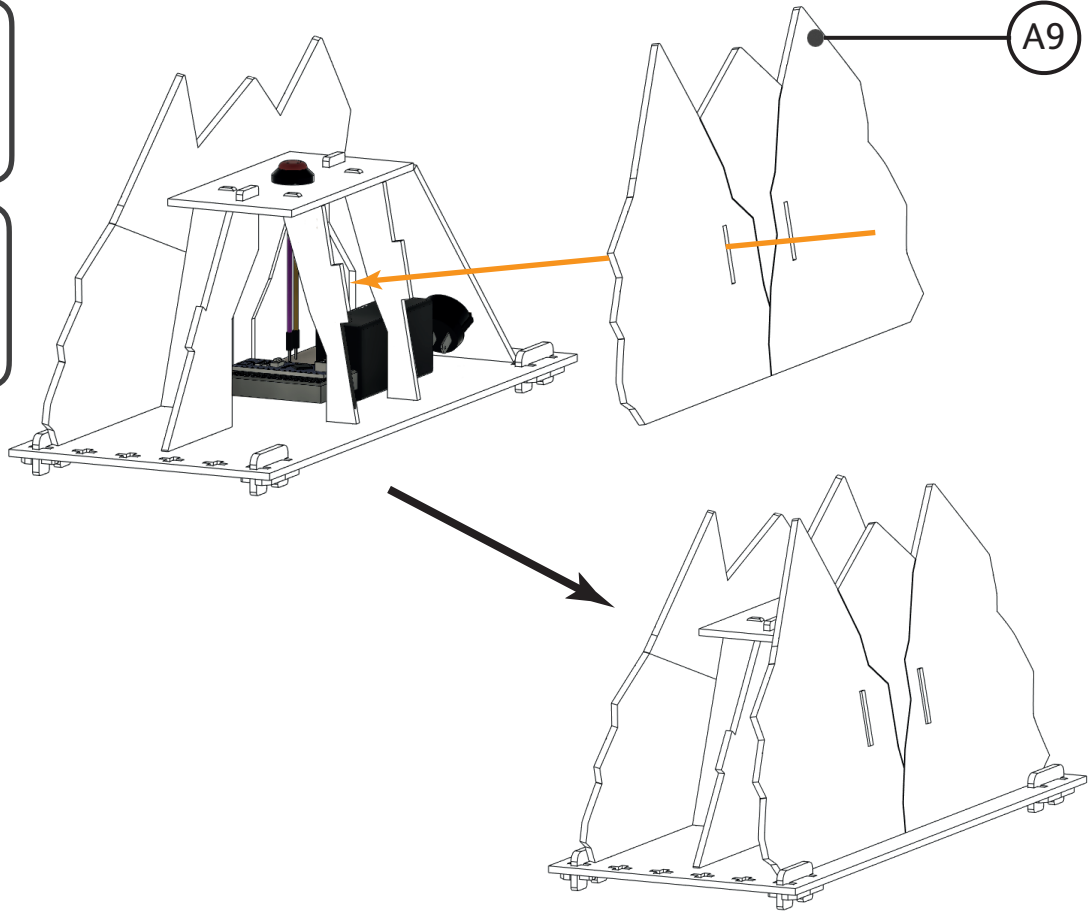
15

1 x A11



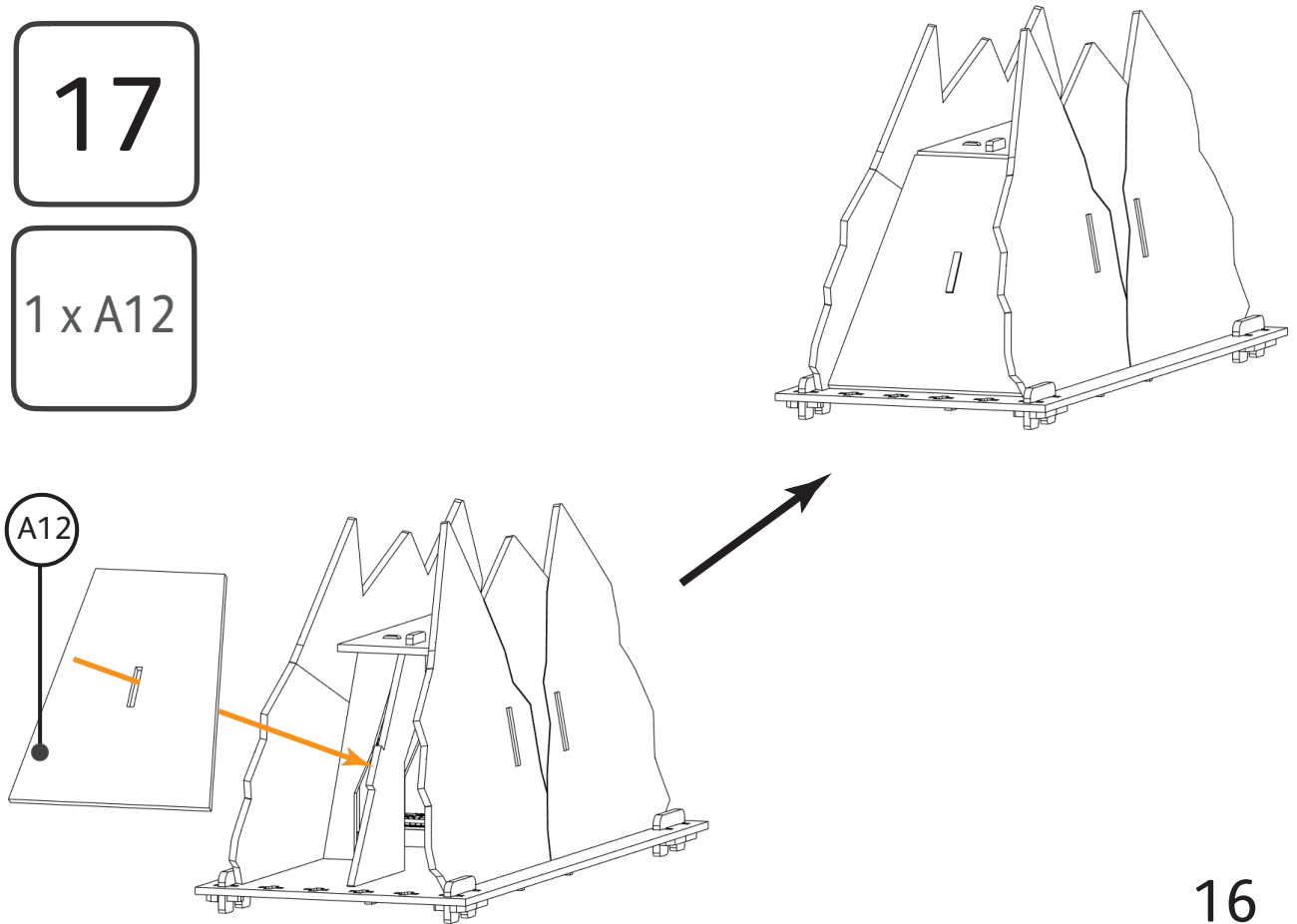
16

1 x A9



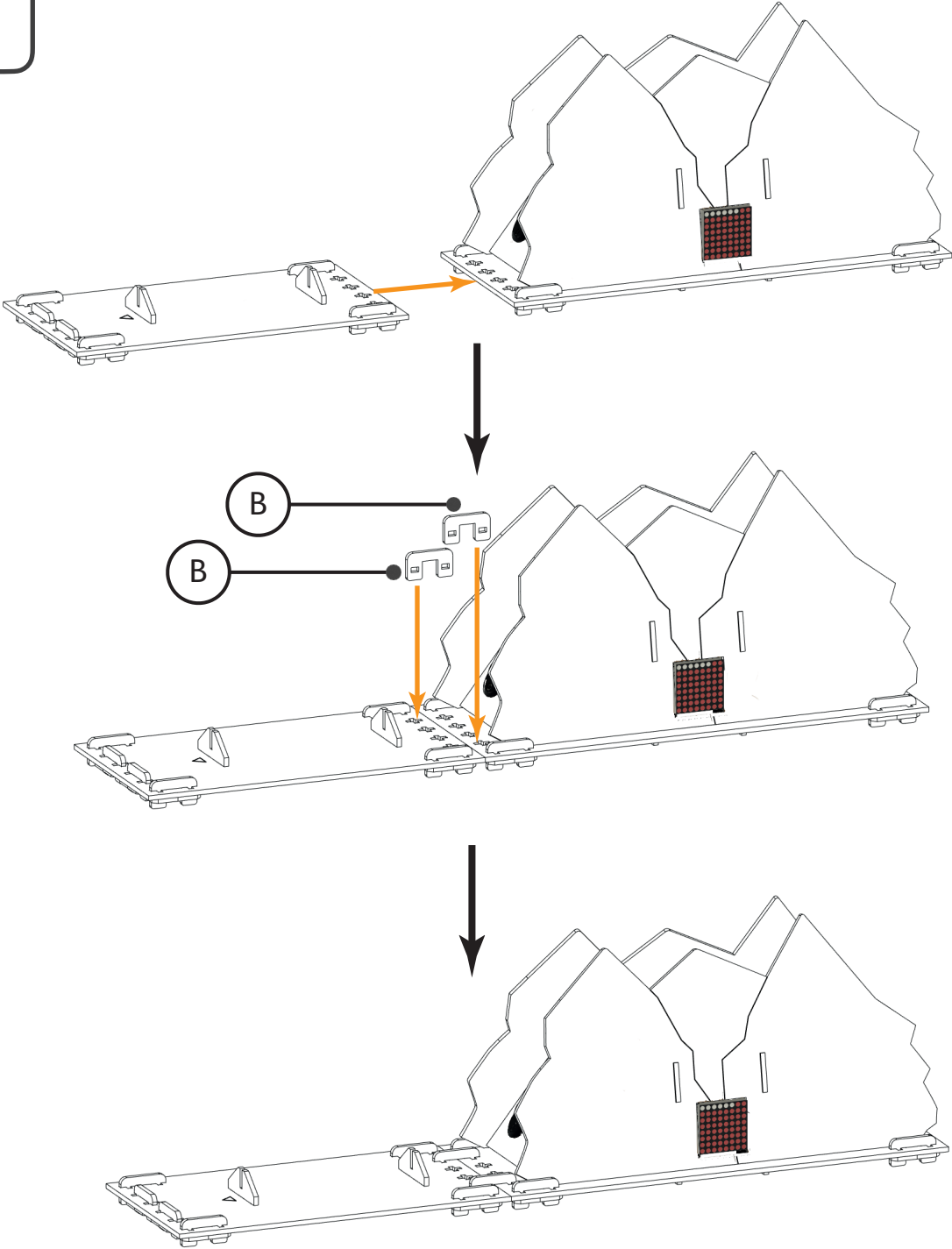
17

1 x A12



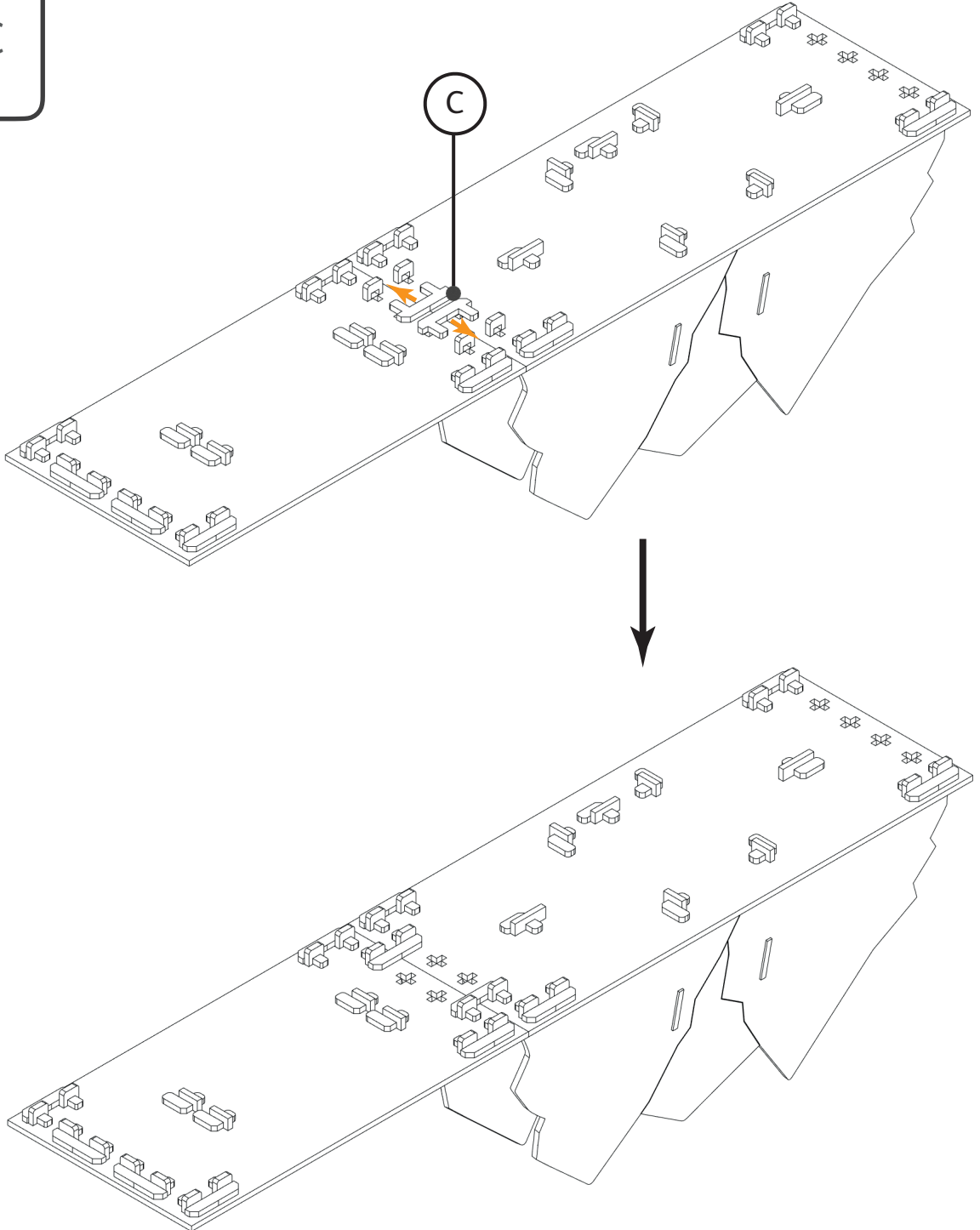
18

2 x B



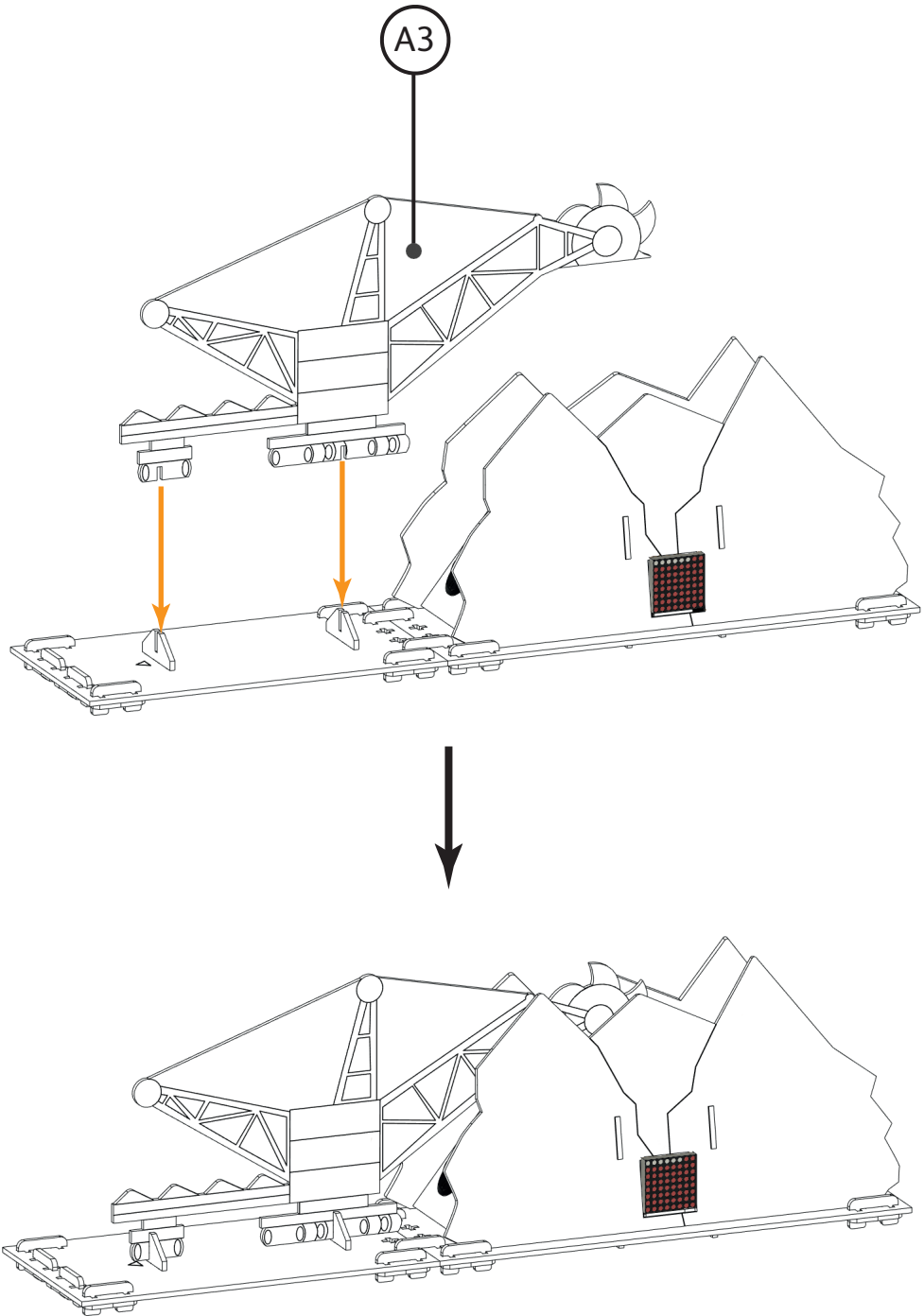
19

2 x C



20

1 x A3





Powered by
Rewise

Romania