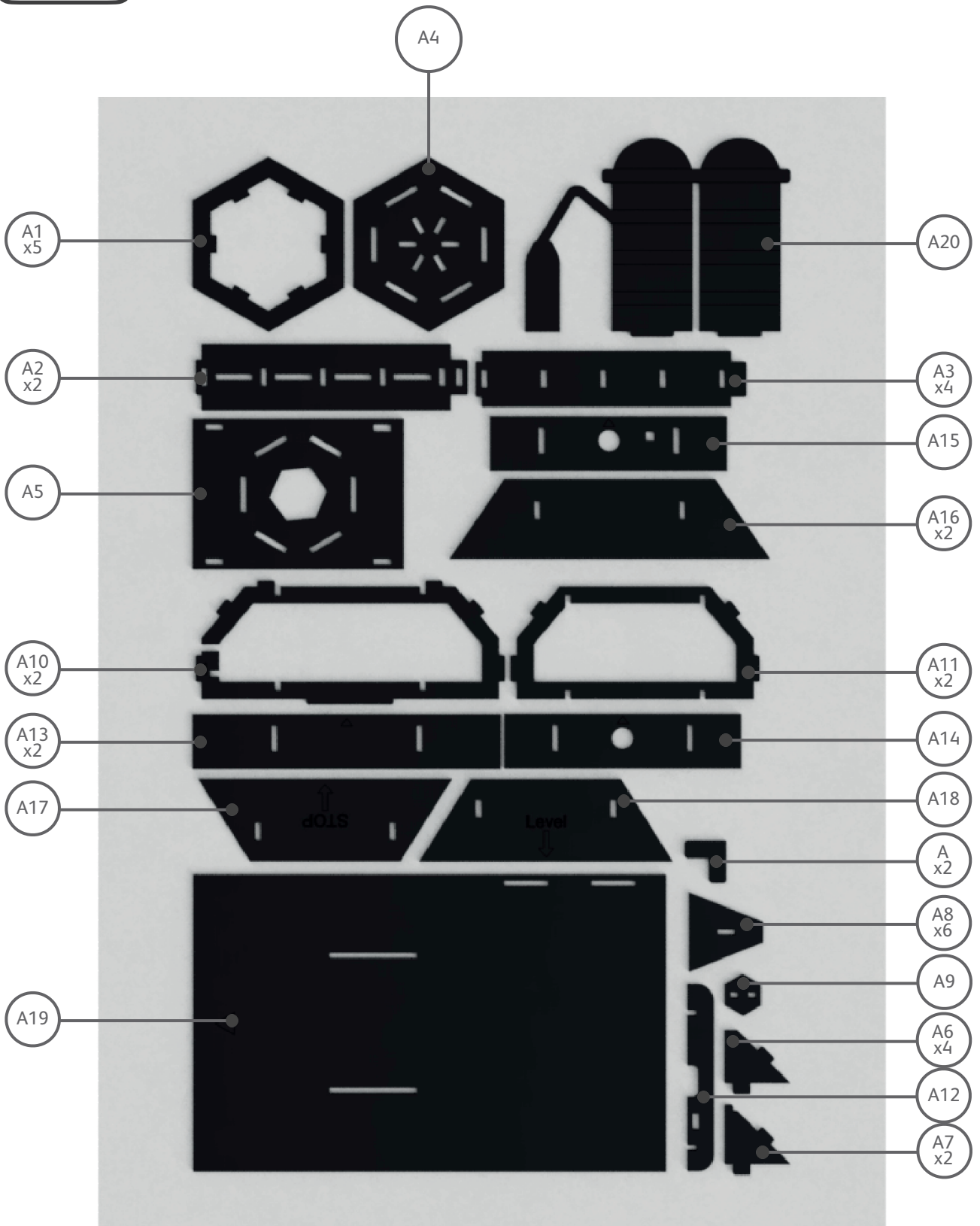
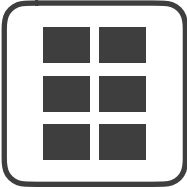


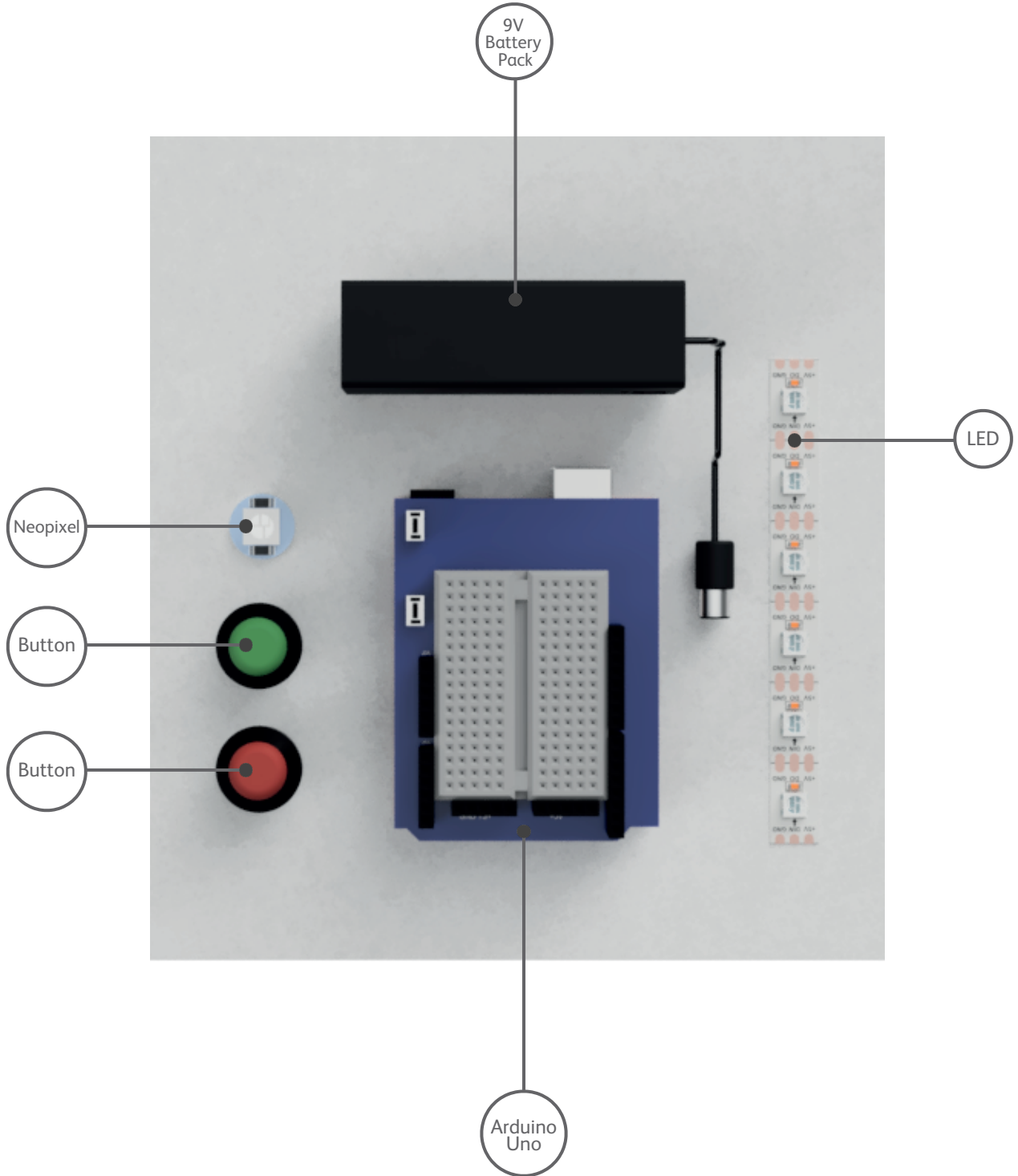
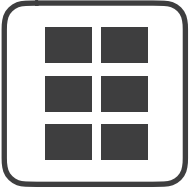
GFG Foundation Student Programme

STEAM Challenge

Romania

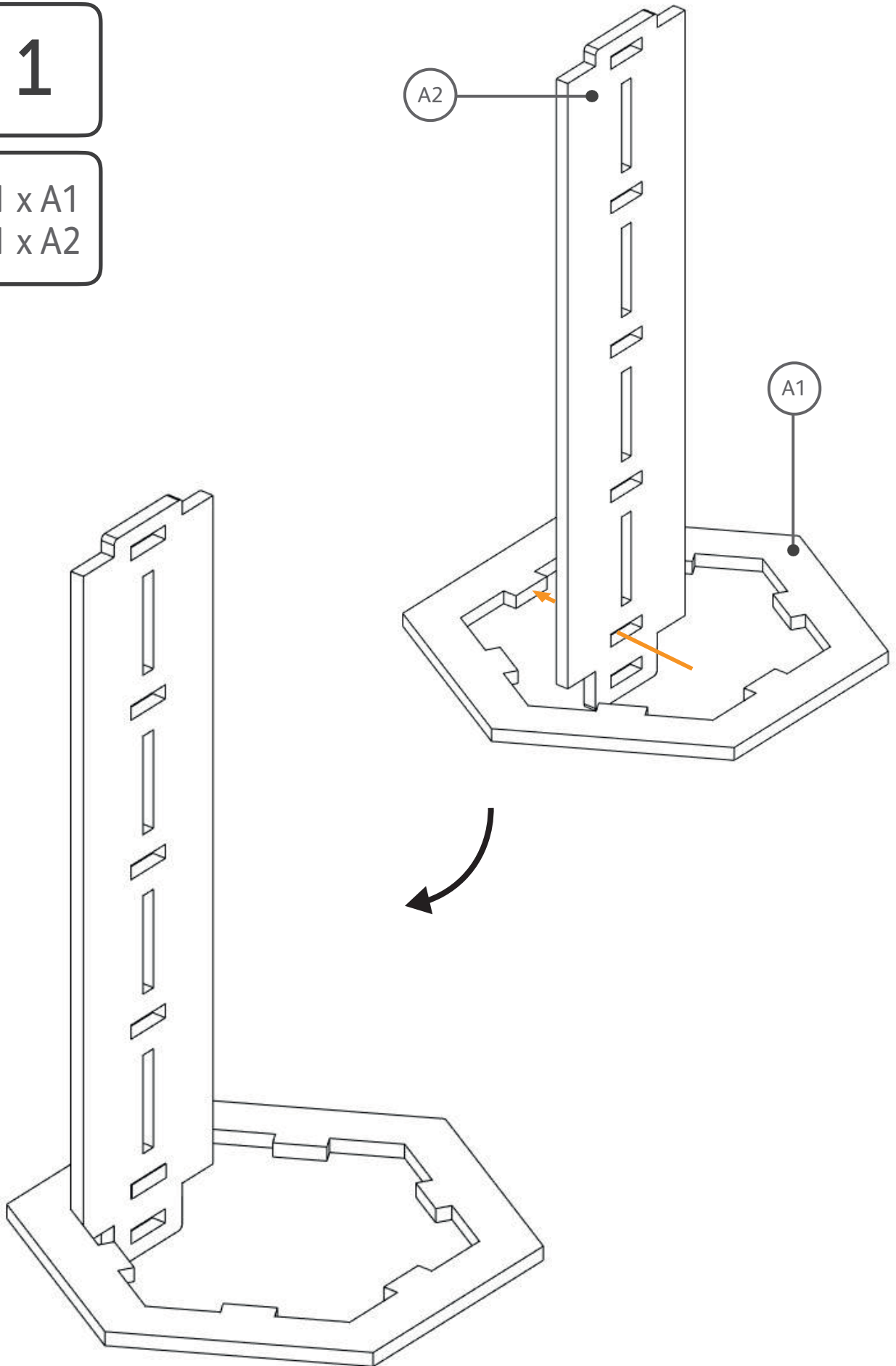






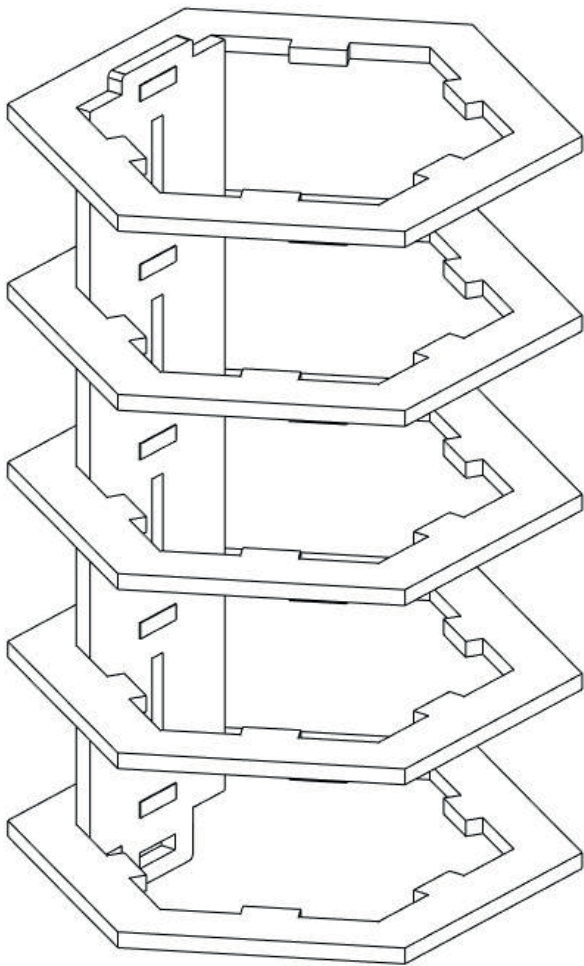
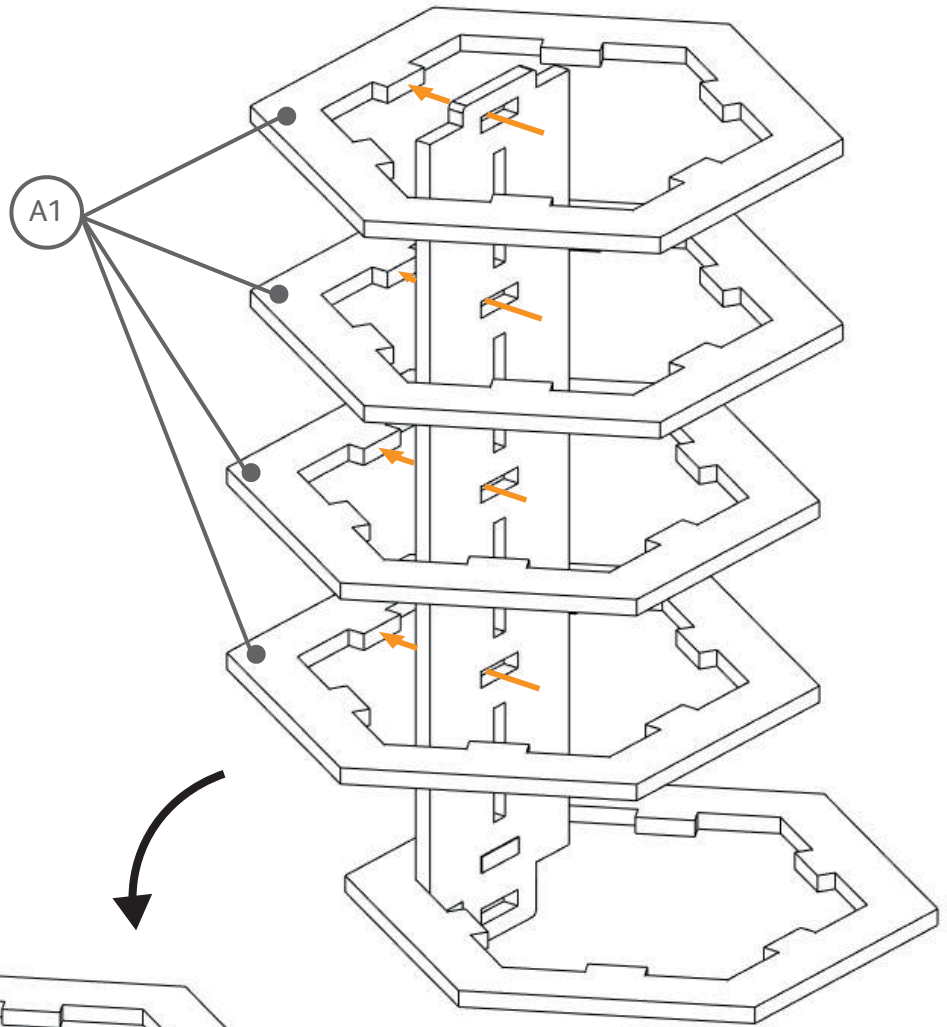
1

1 x A1
1 x A2



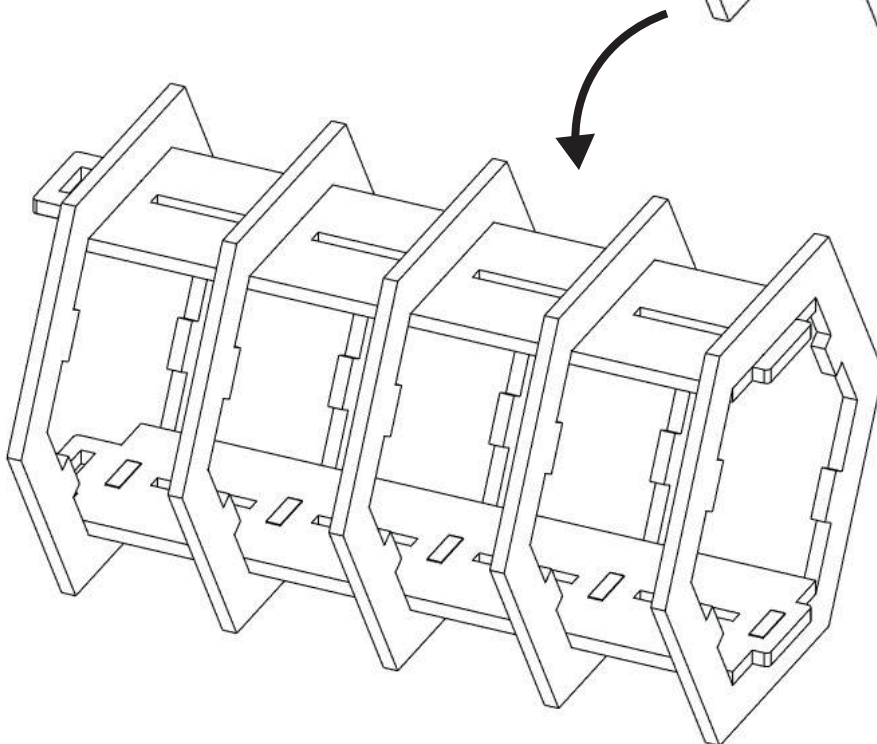
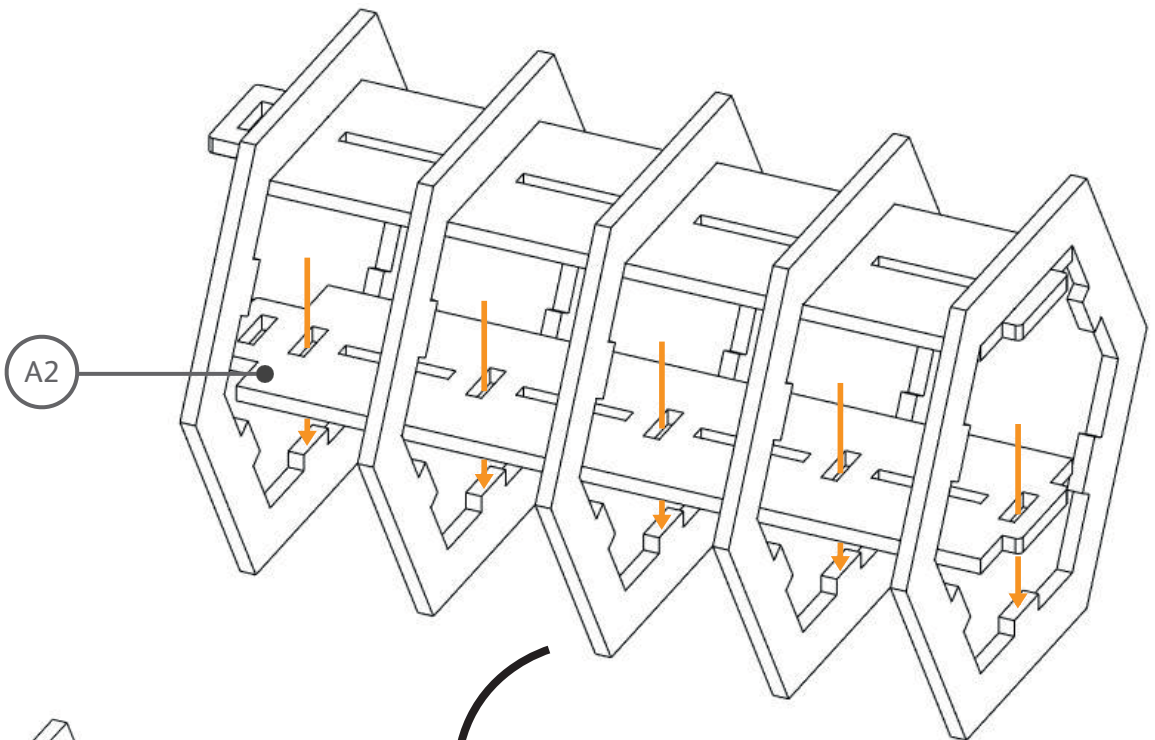
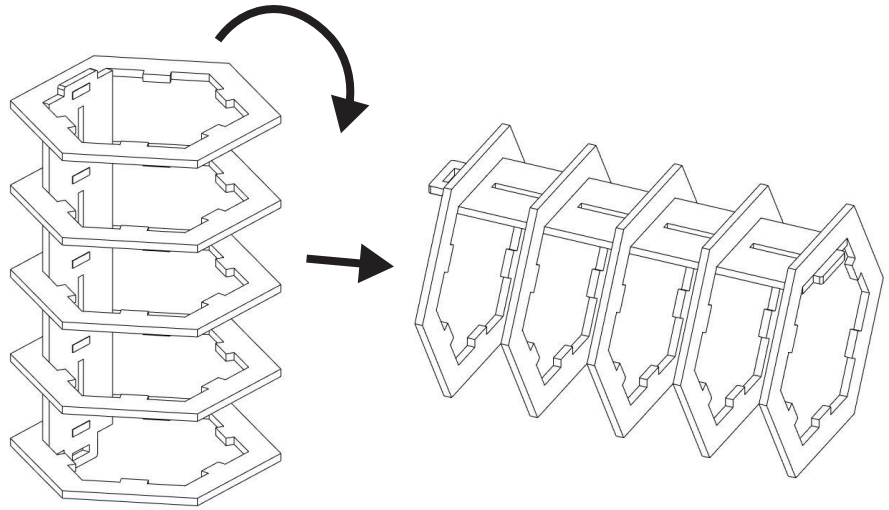
2

4 x A1



3

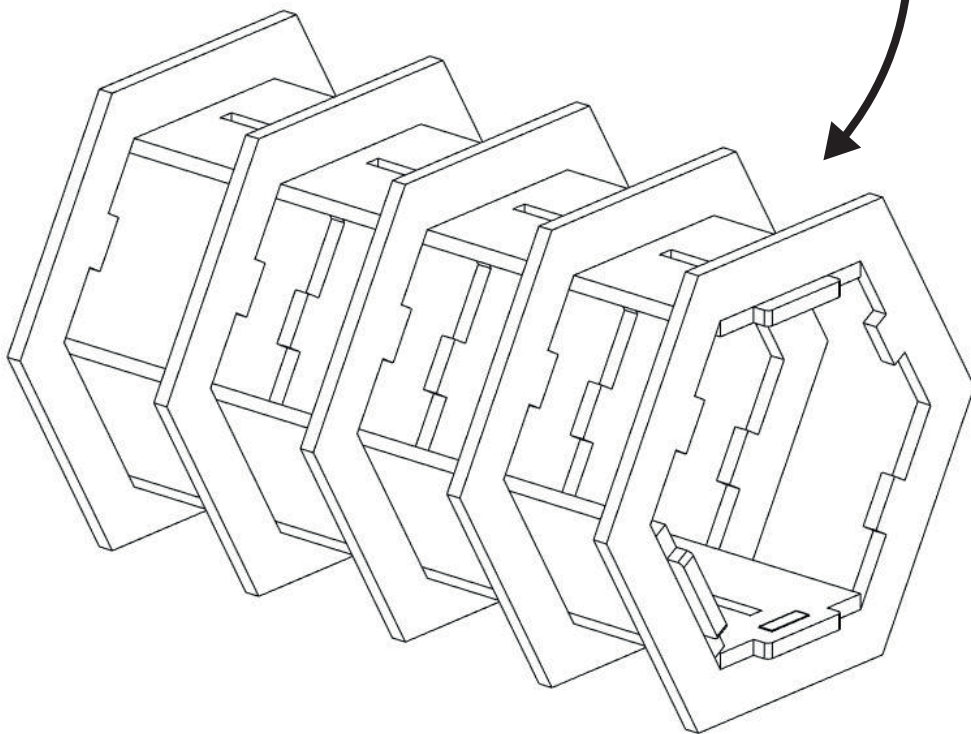
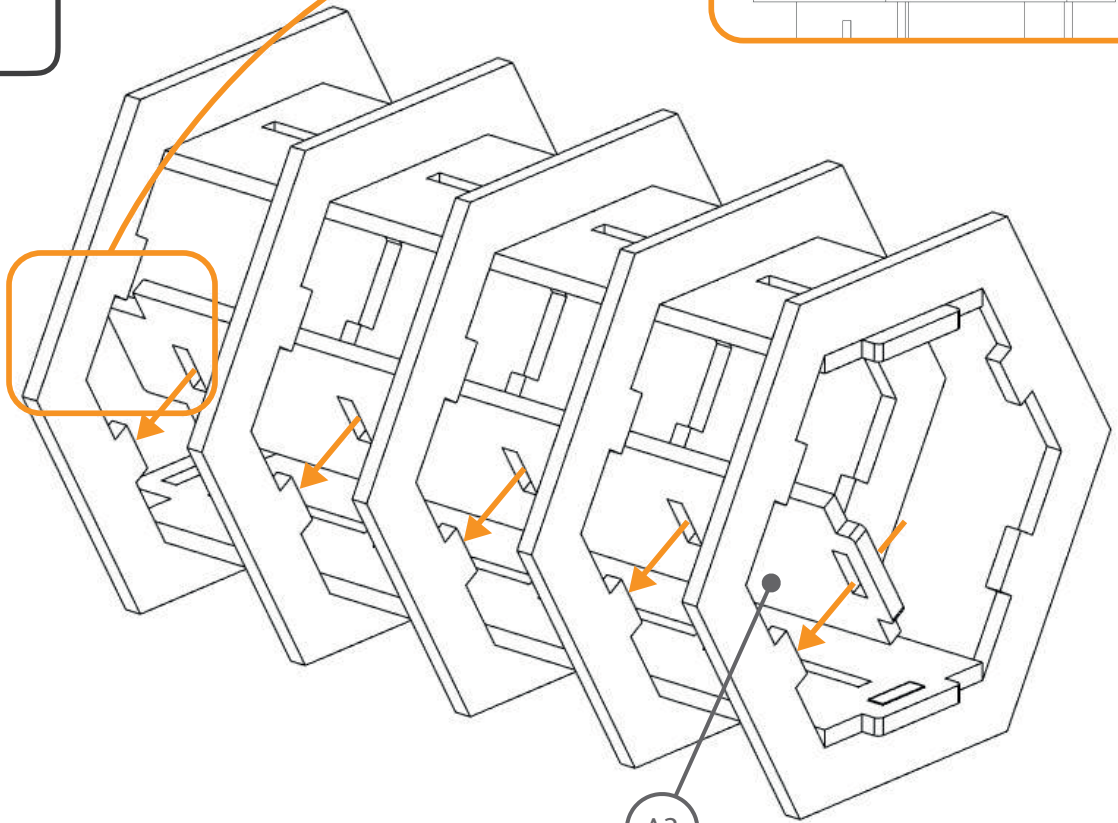
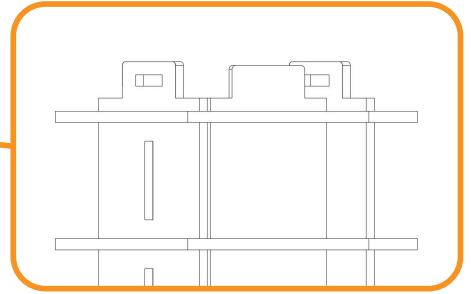
1 x A2



5

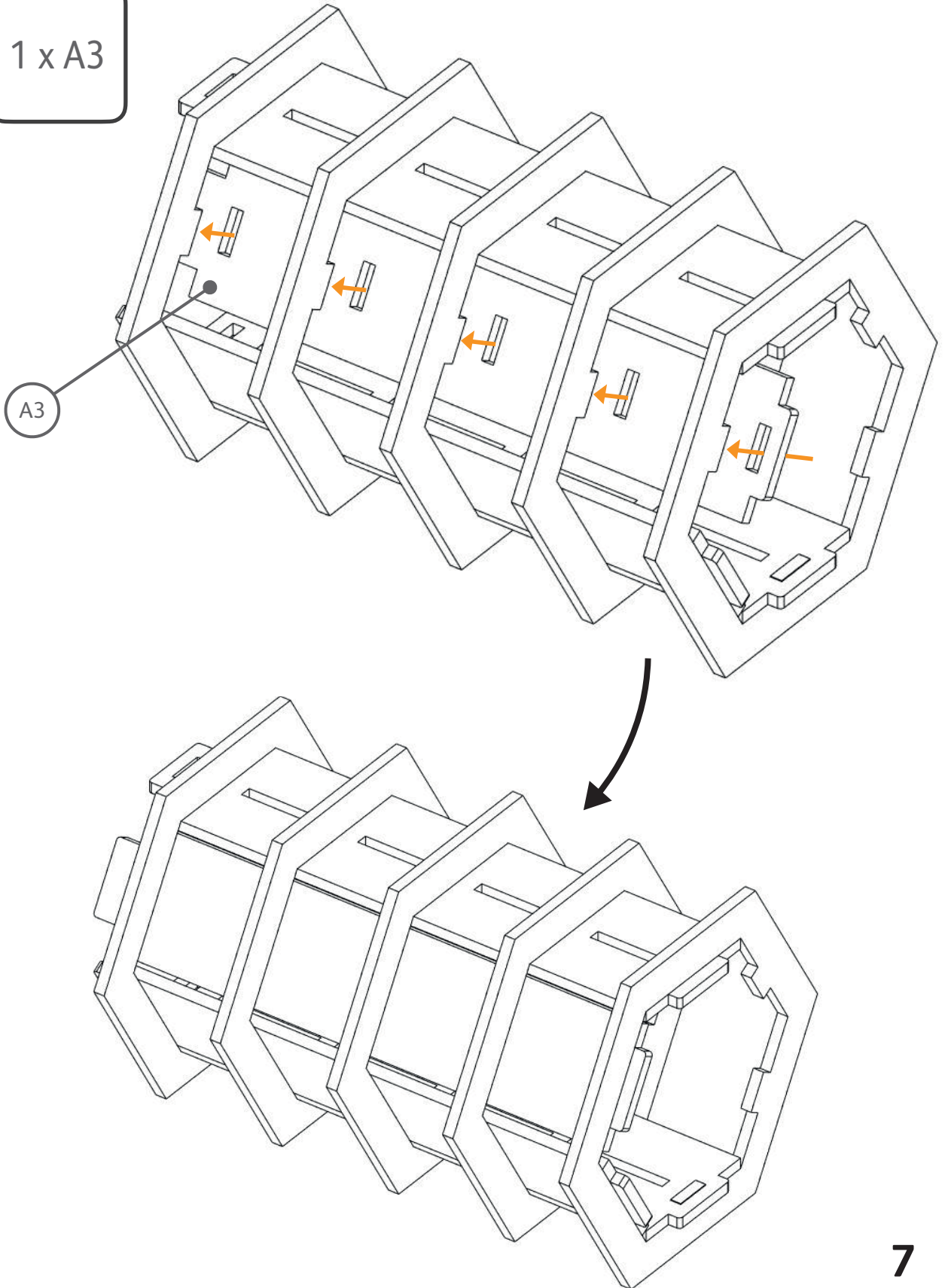
4

1 x A3



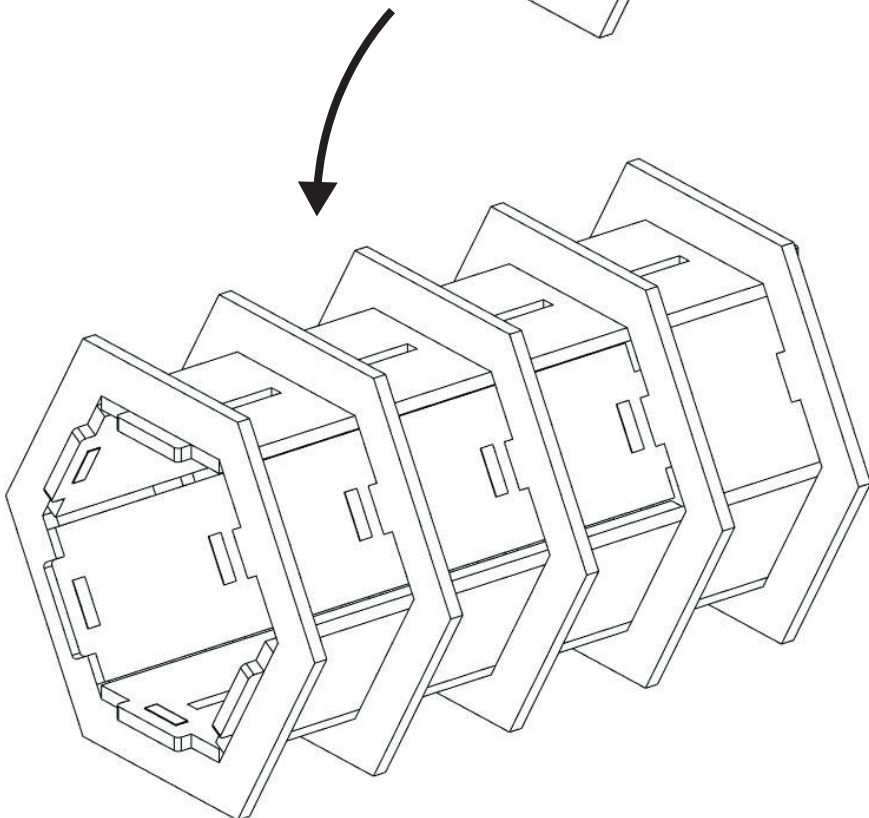
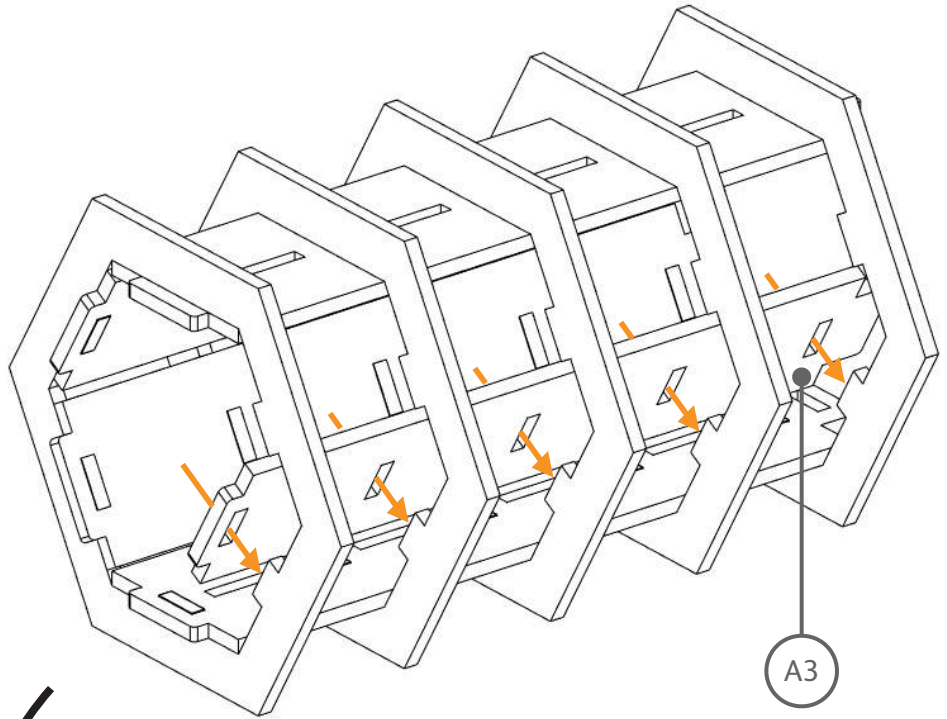
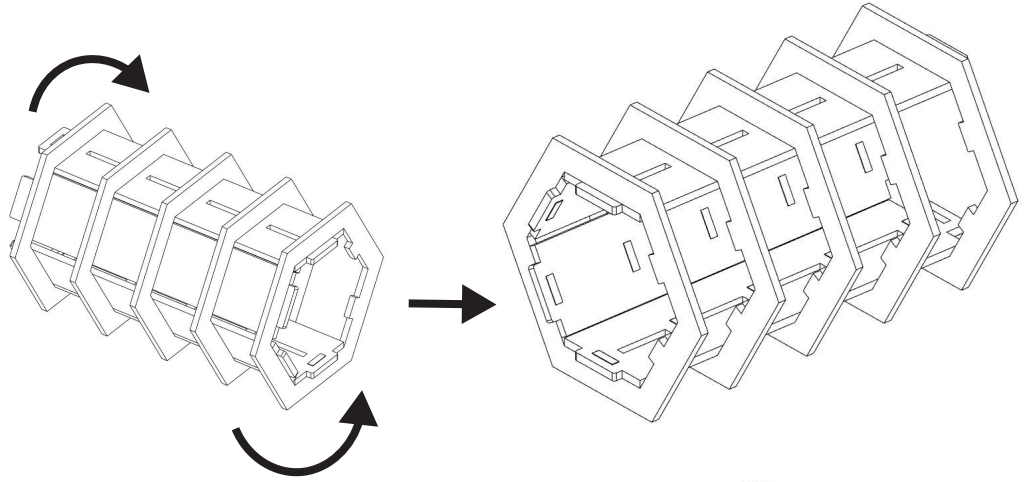
5

1 x A3



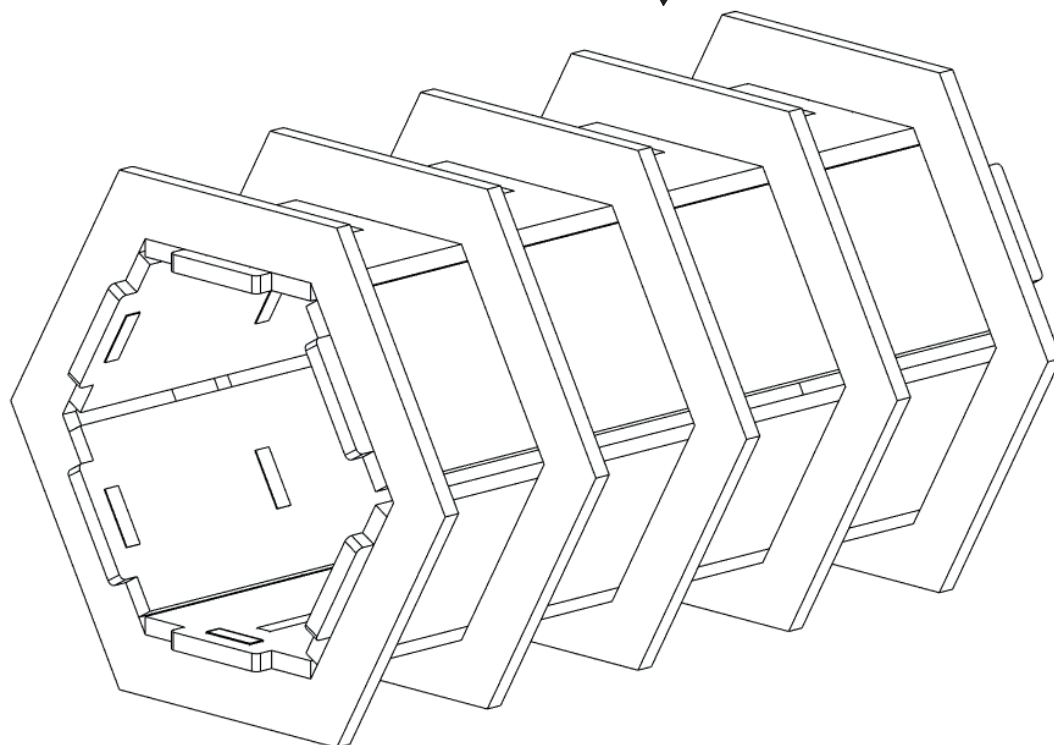
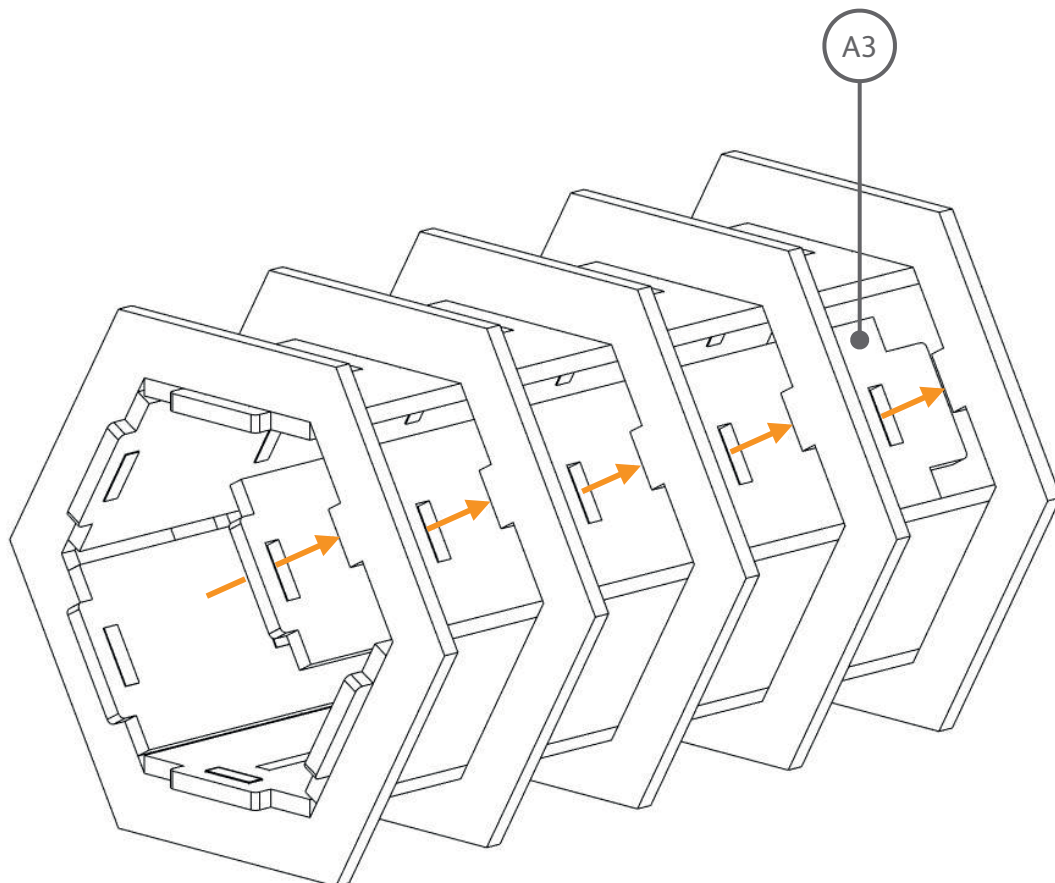
6

1 x A3



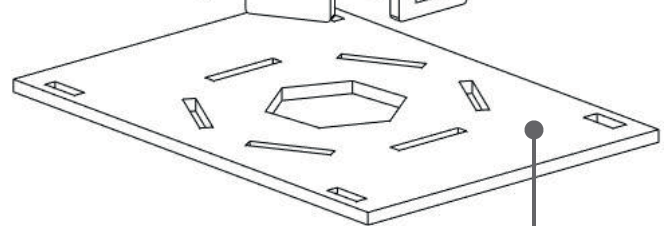
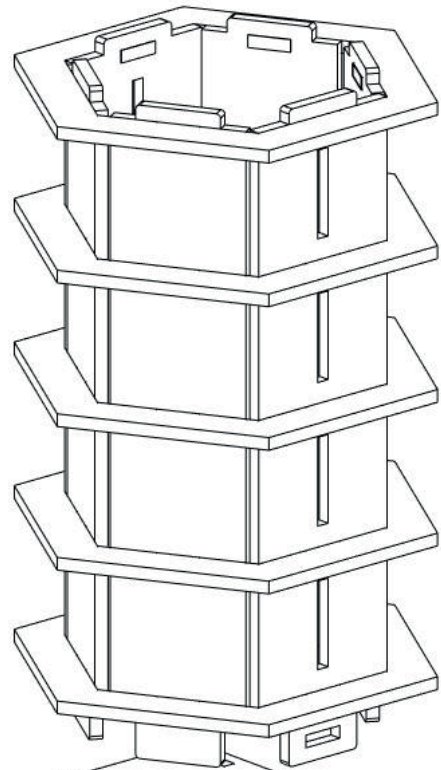
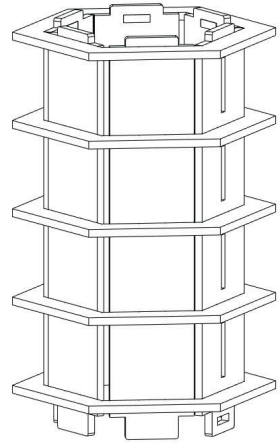
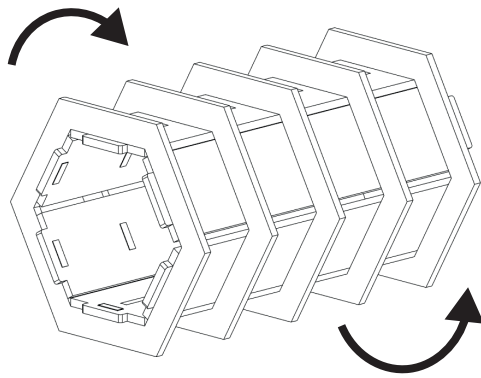
7

1 x A3

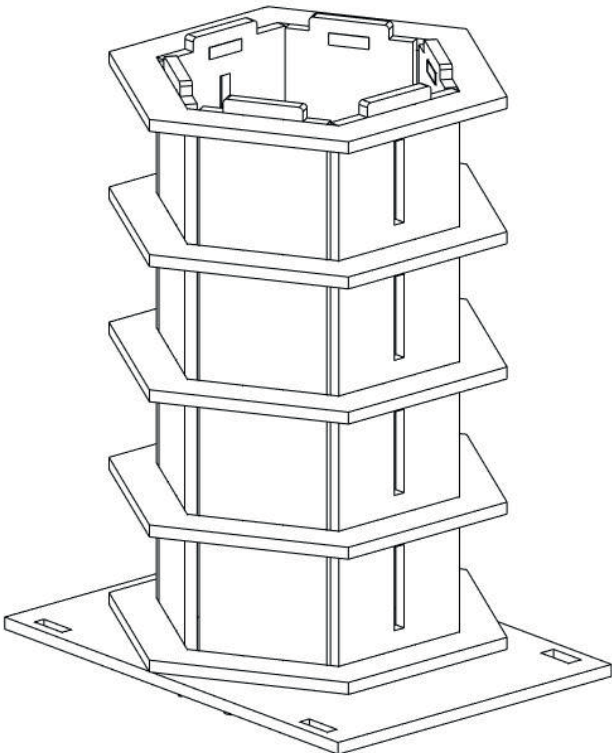


8

1 x A5



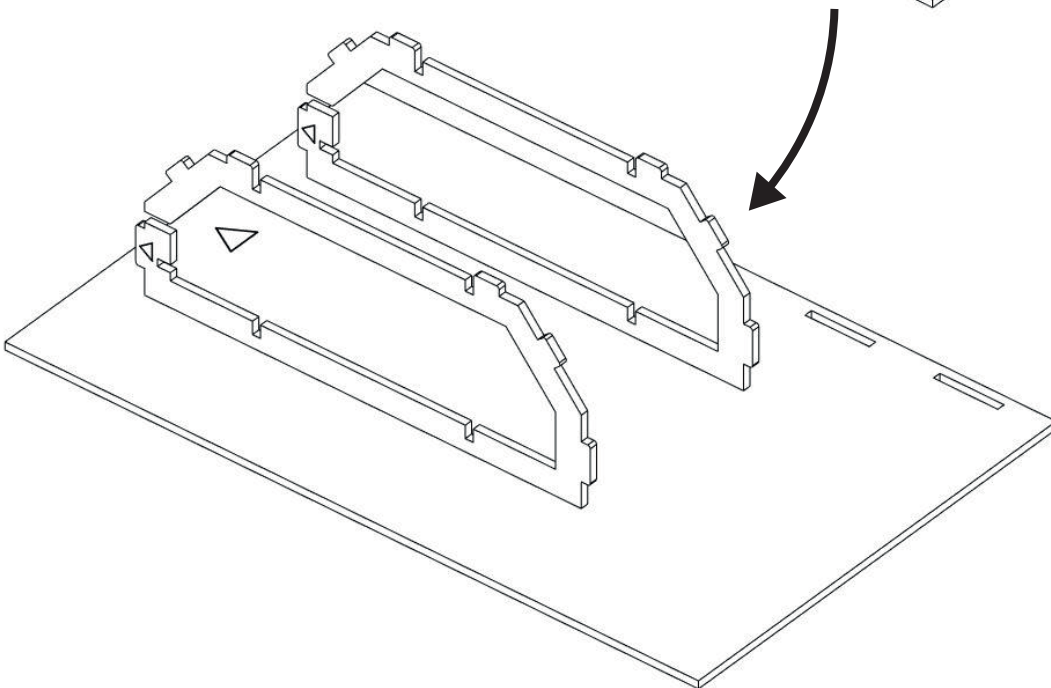
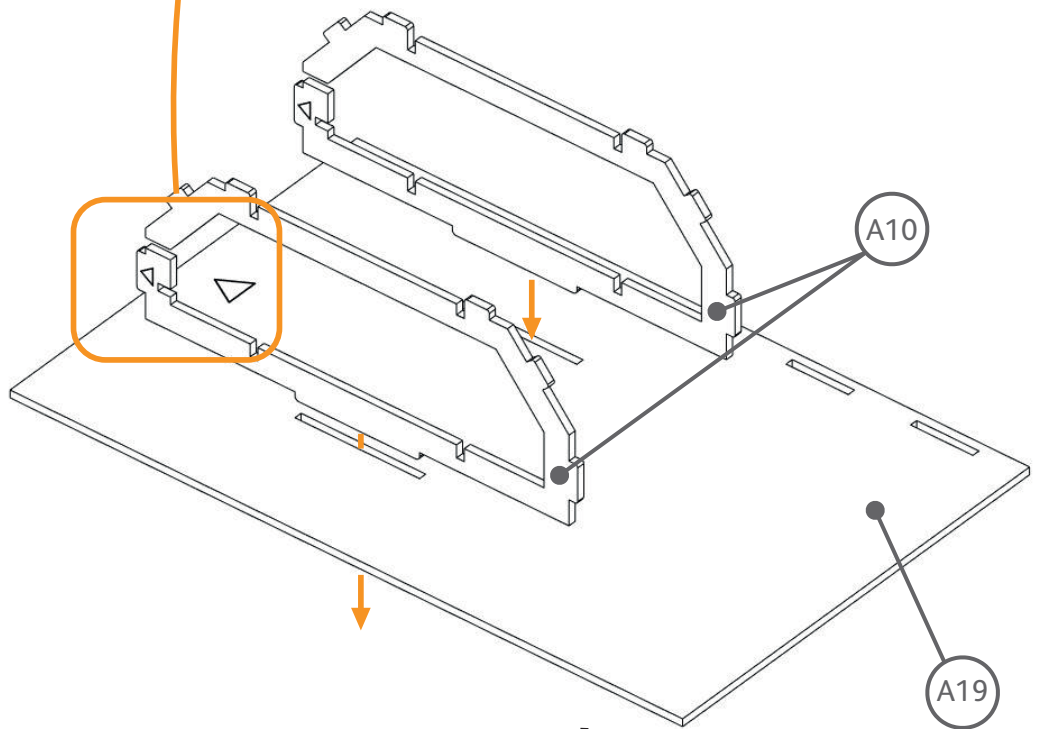
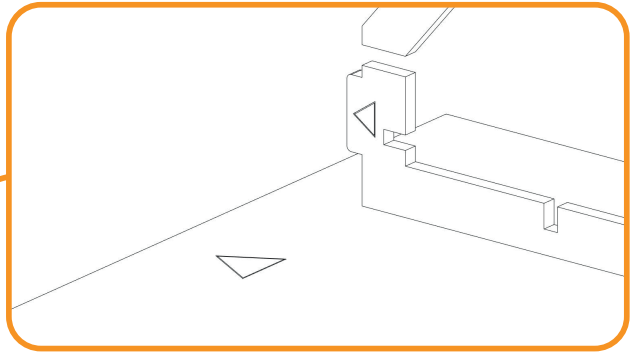
A5



10

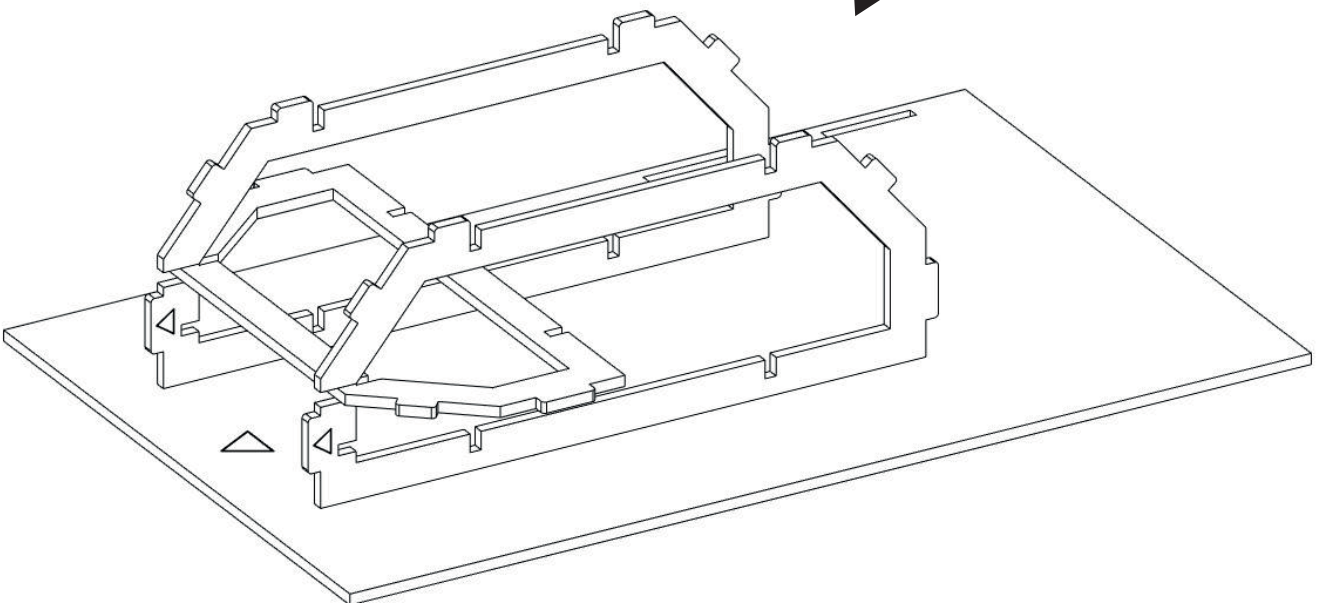
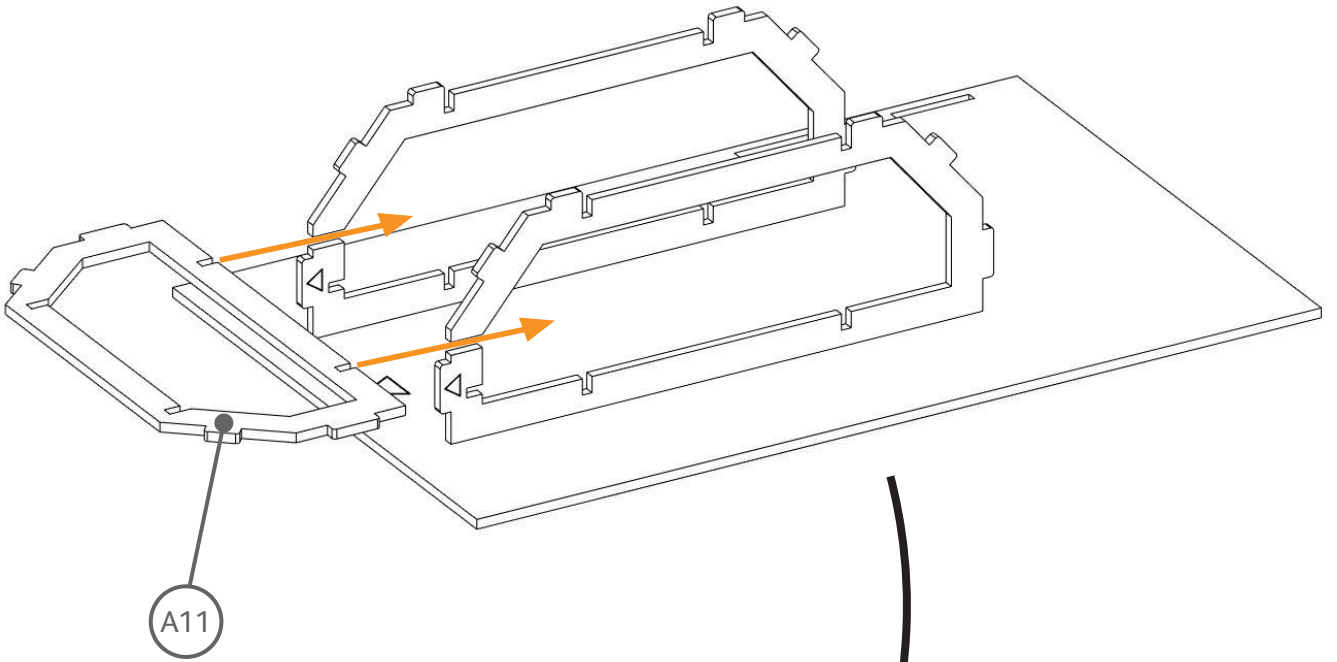
9

2 x A10
1 x A19

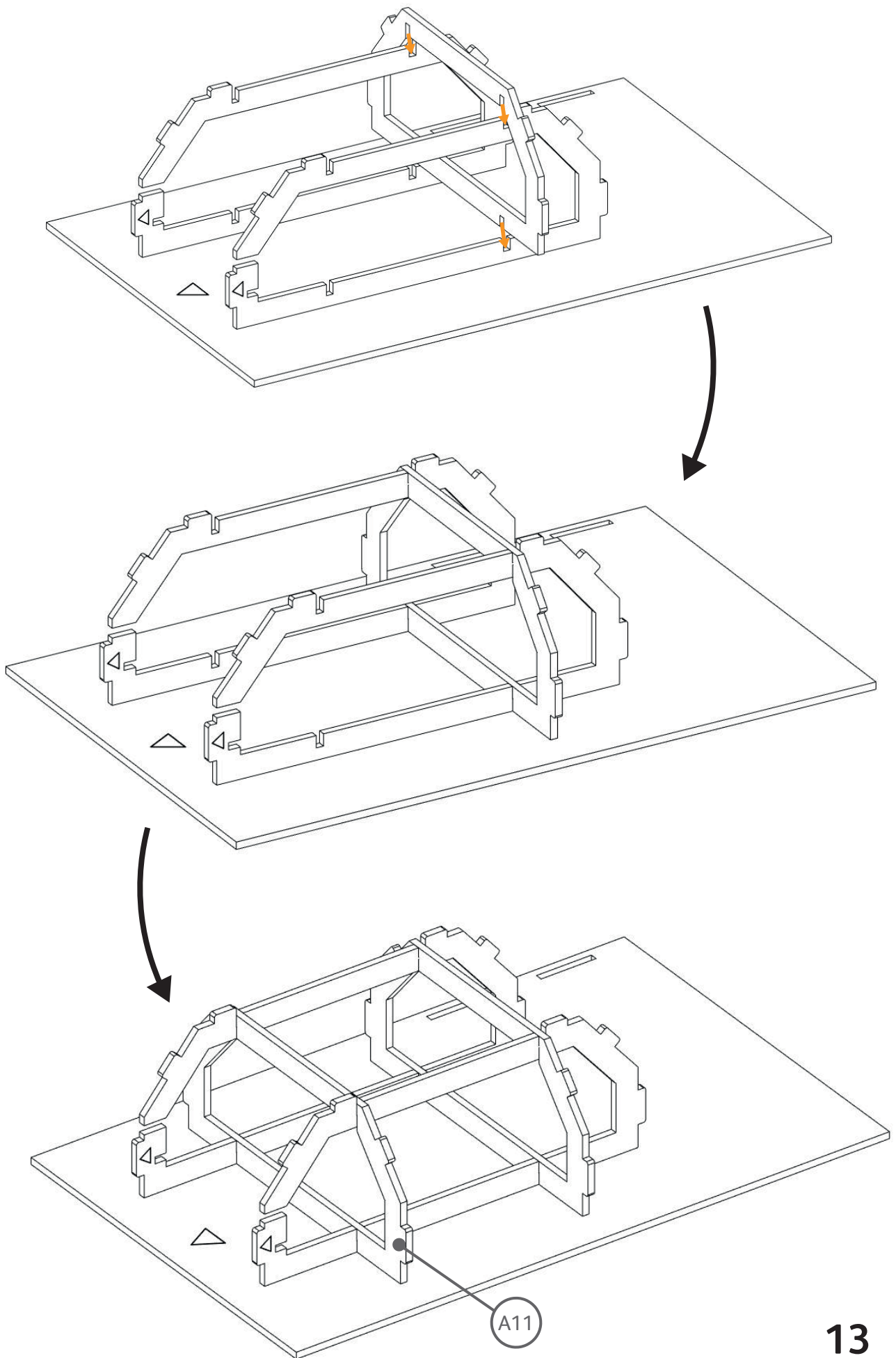


10

2 x A11



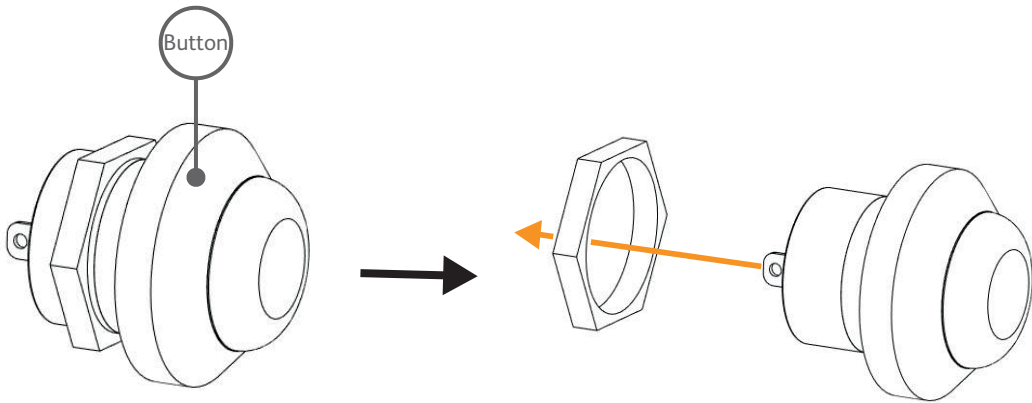
12



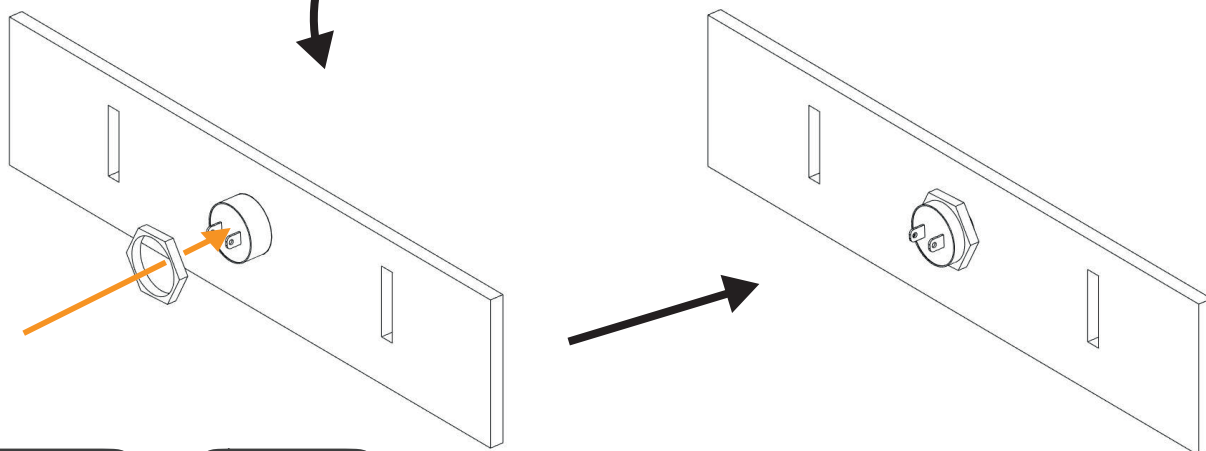
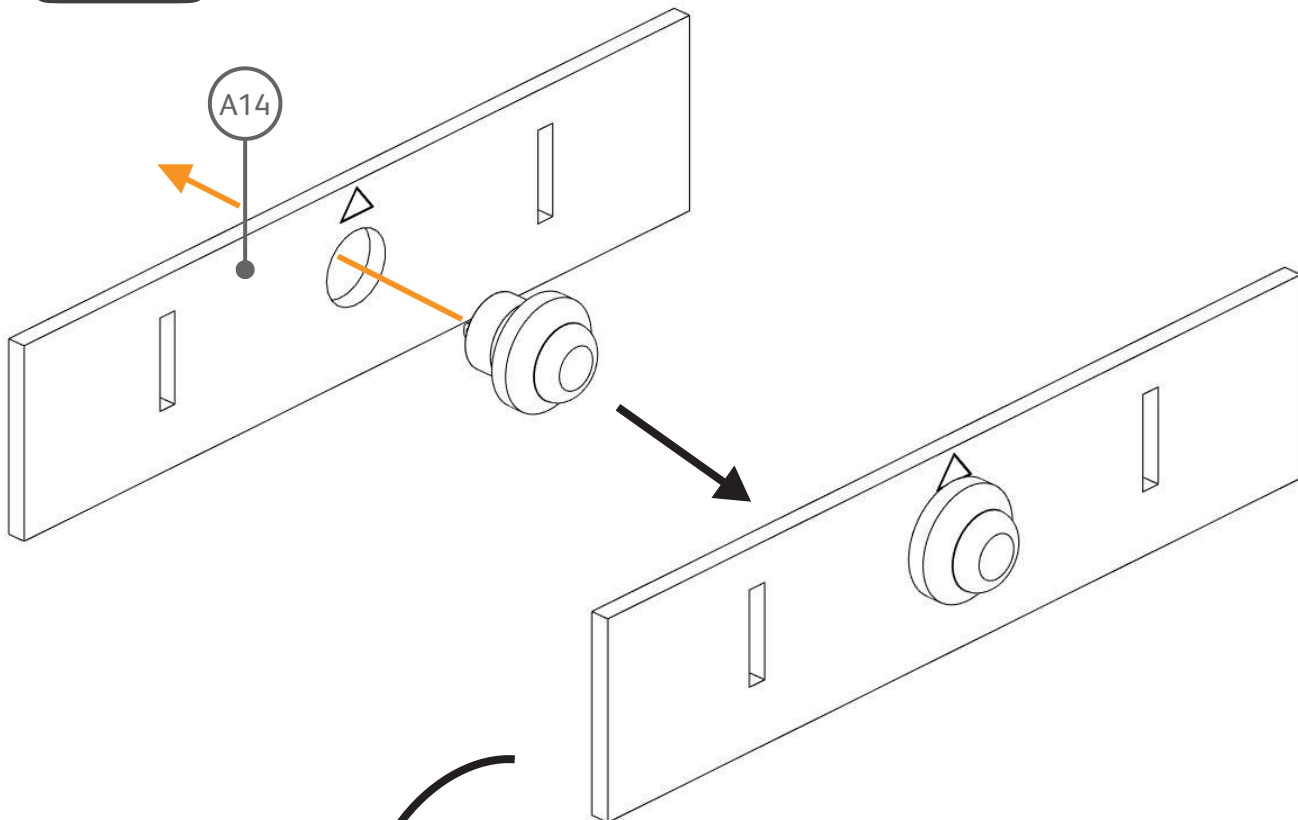
11

1 x A14
1 x A15
2 x Button

Button



A14



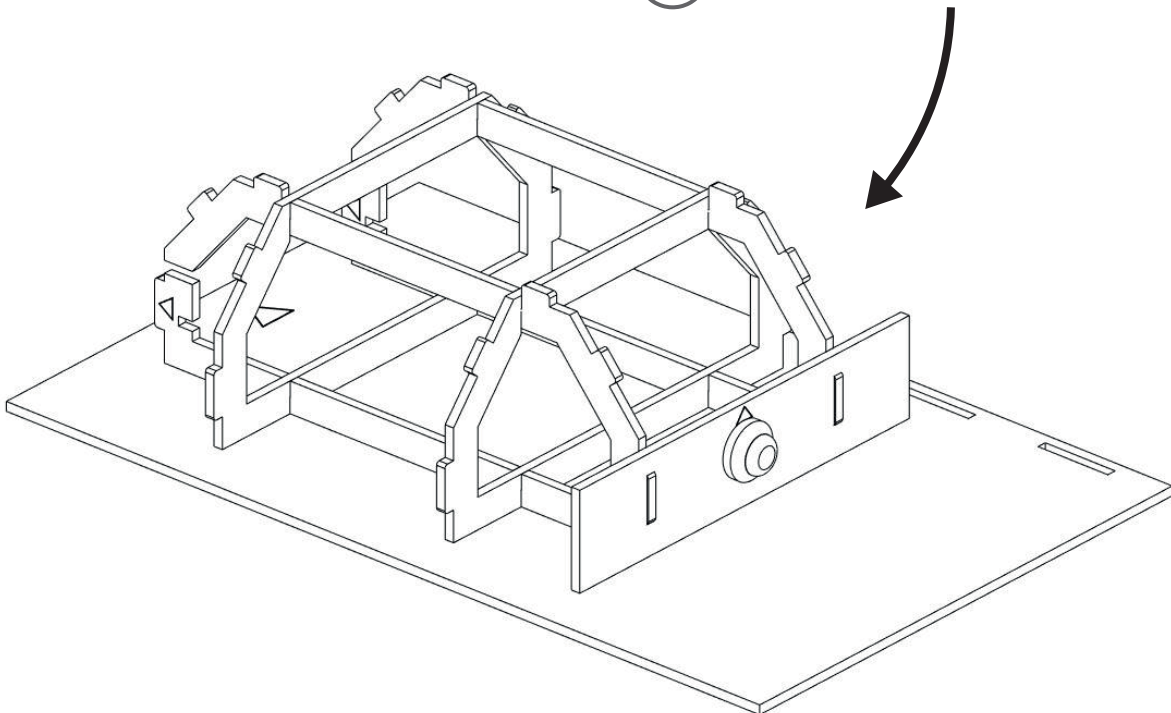
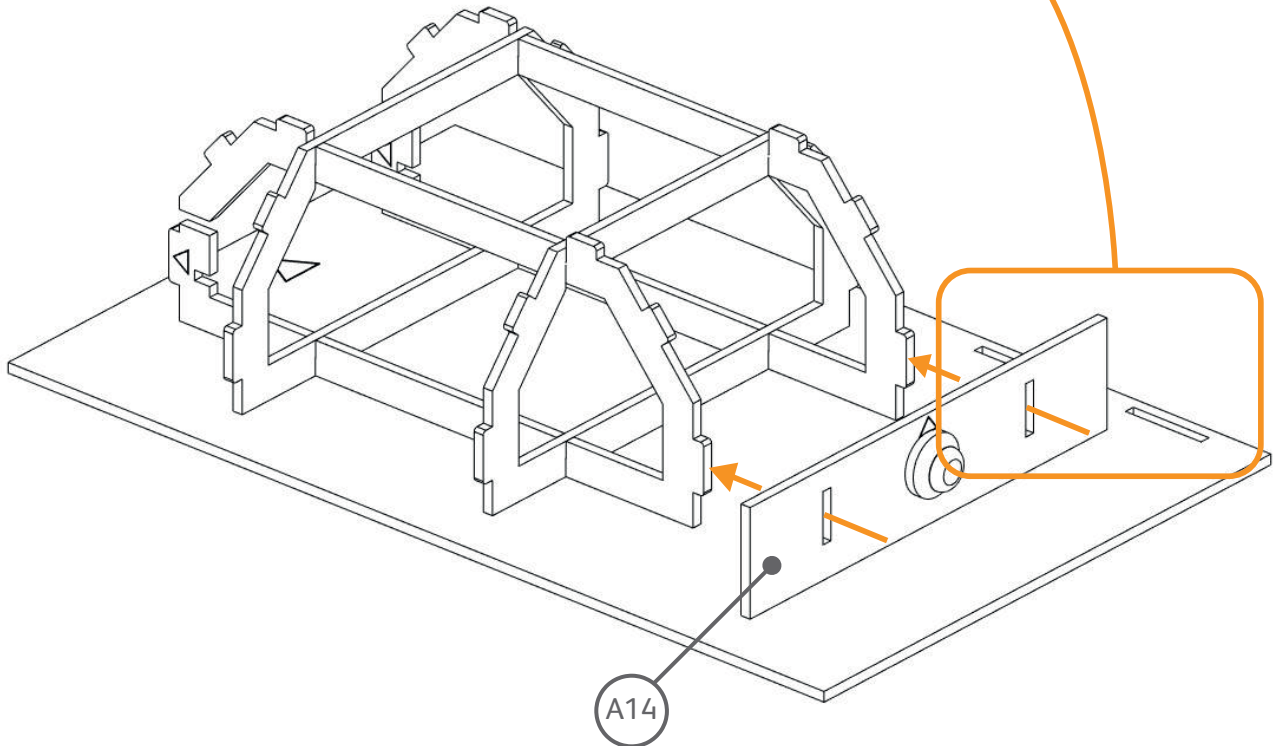
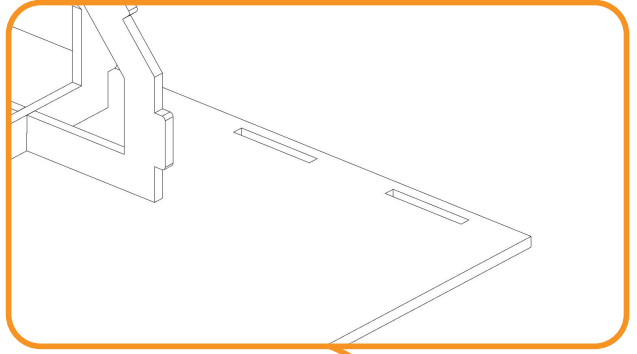
11

A15

14

12

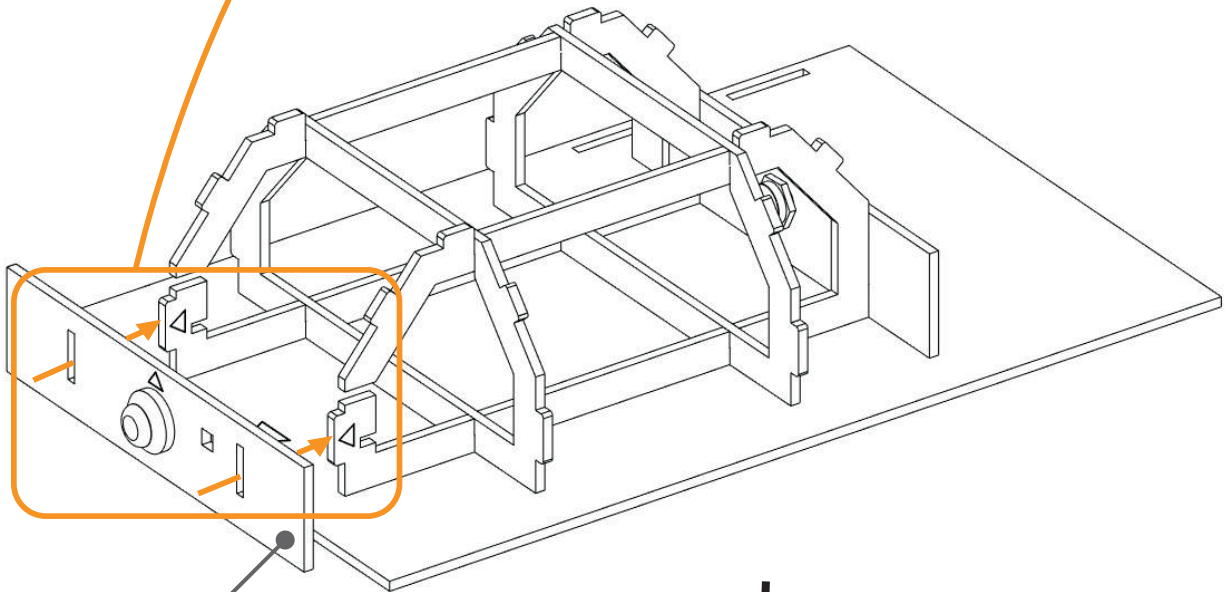
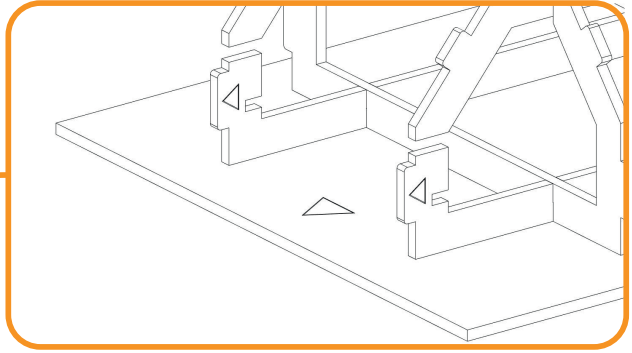
1 x A14



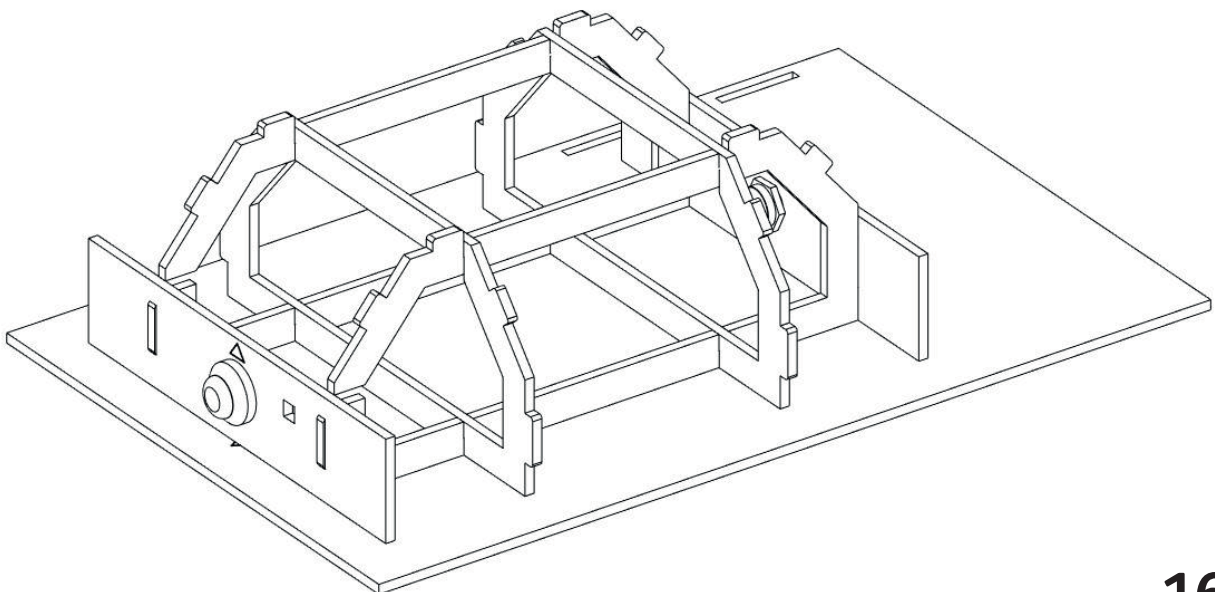
15

13

1 x A15



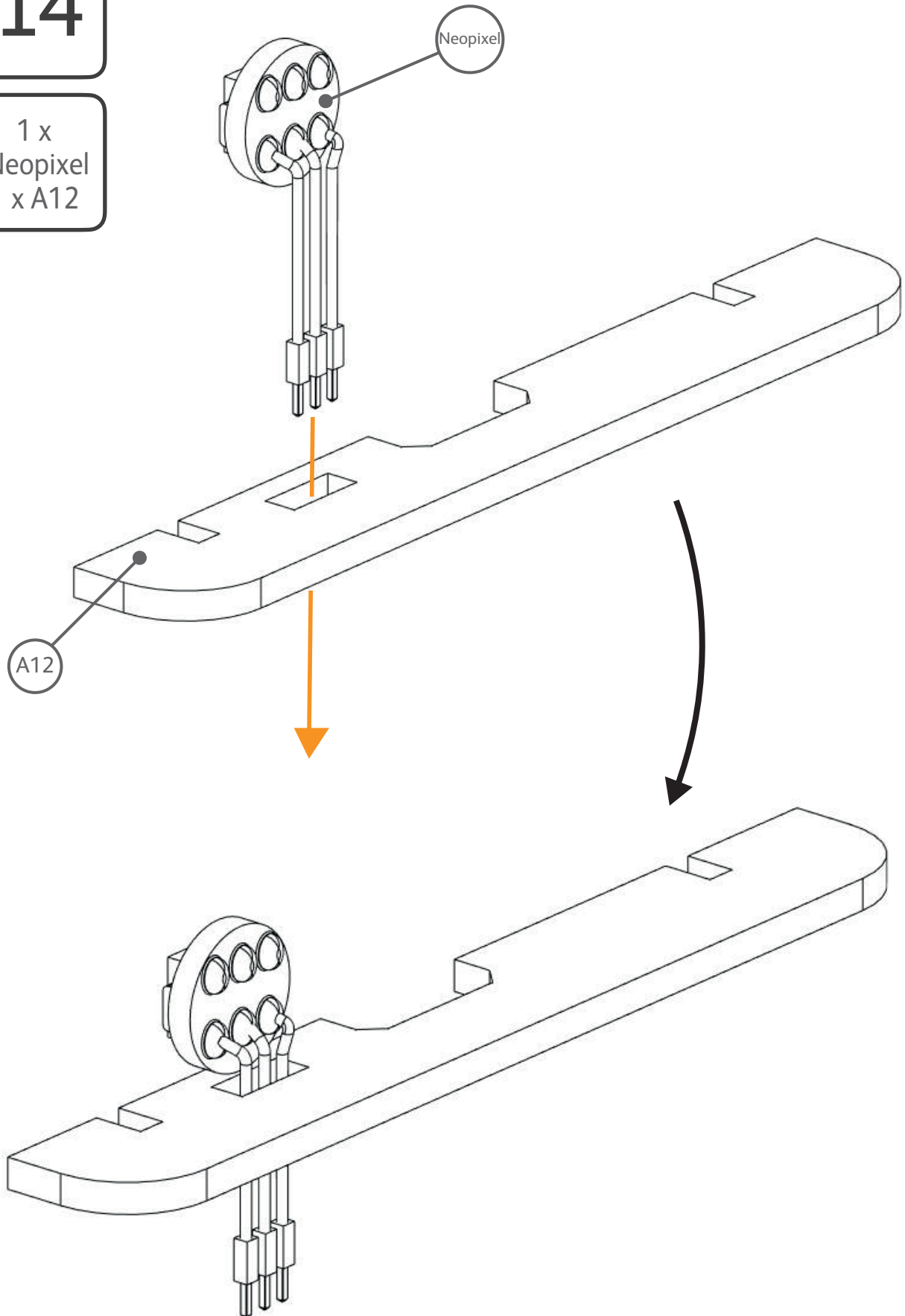
A15



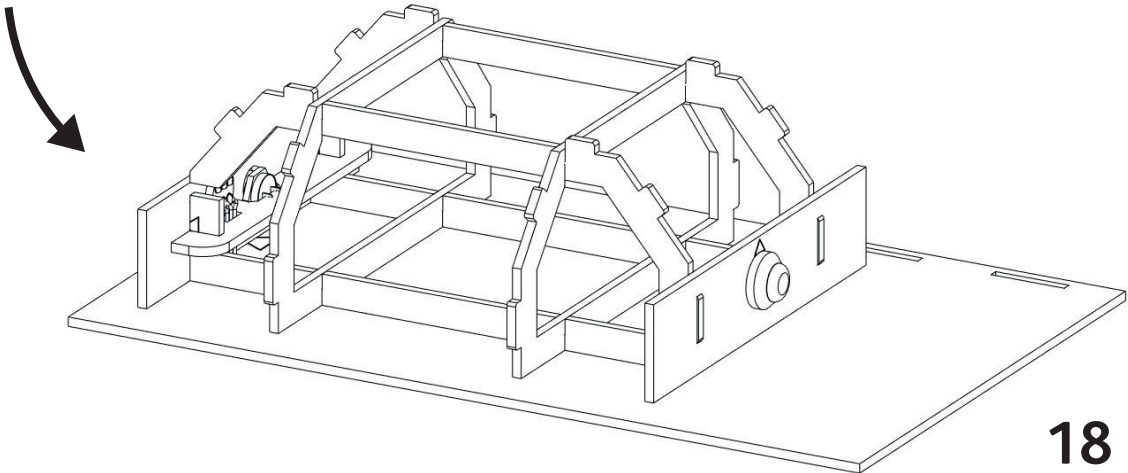
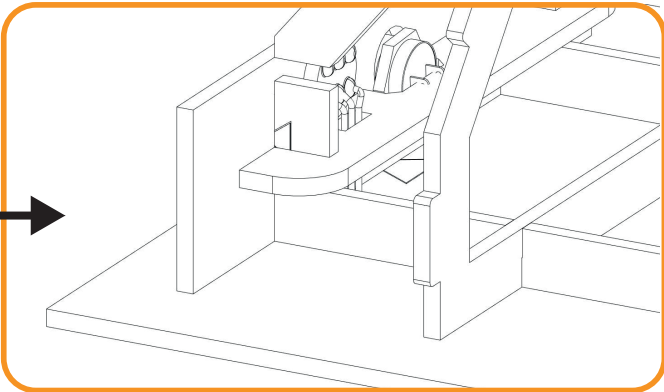
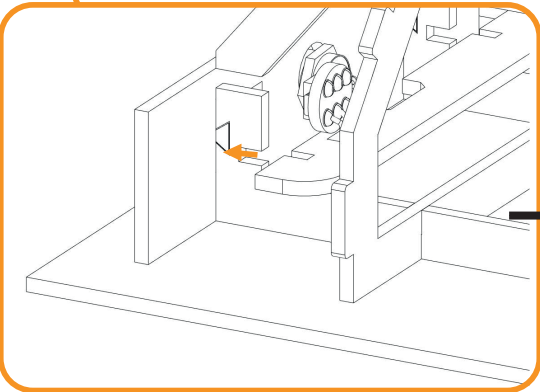
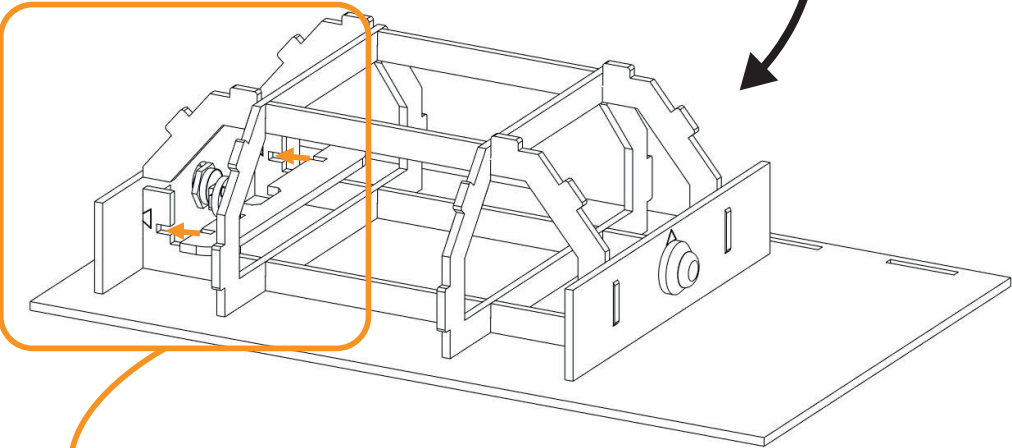
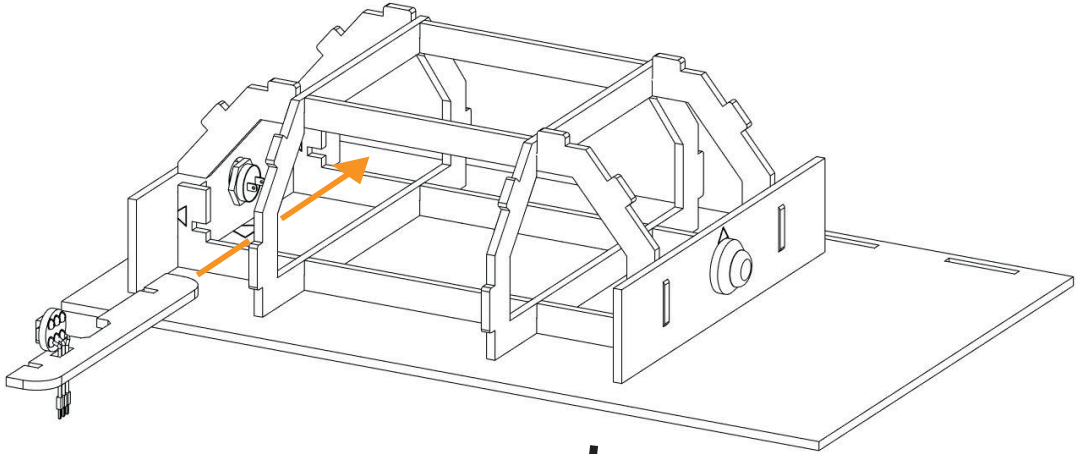
16

14

1 x
Neopixel
1 x A12



15

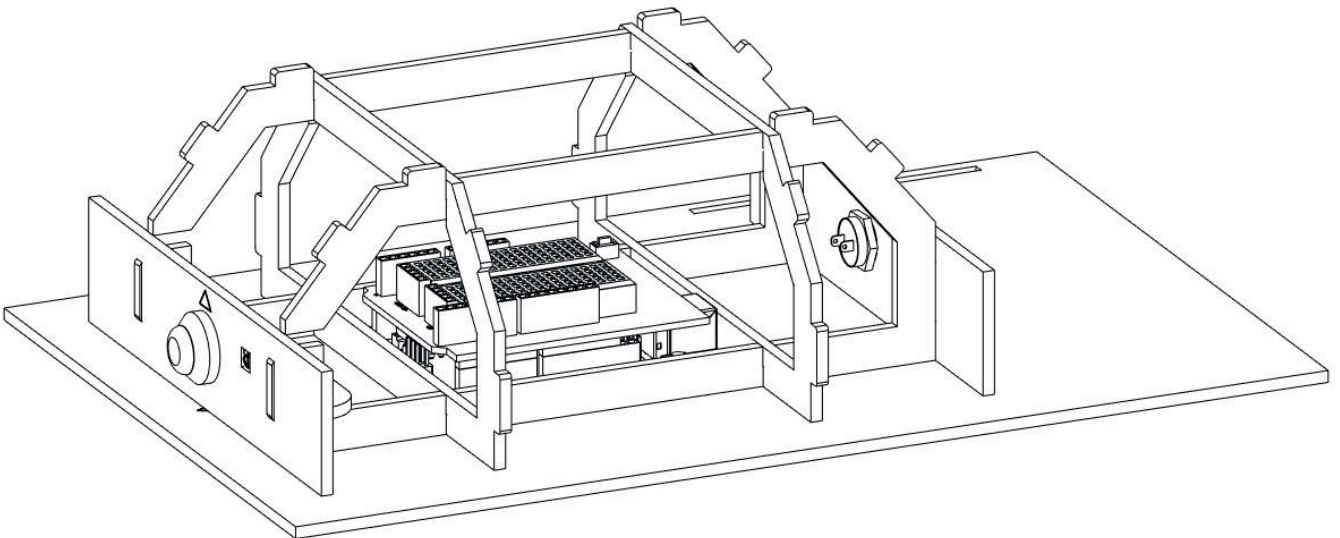
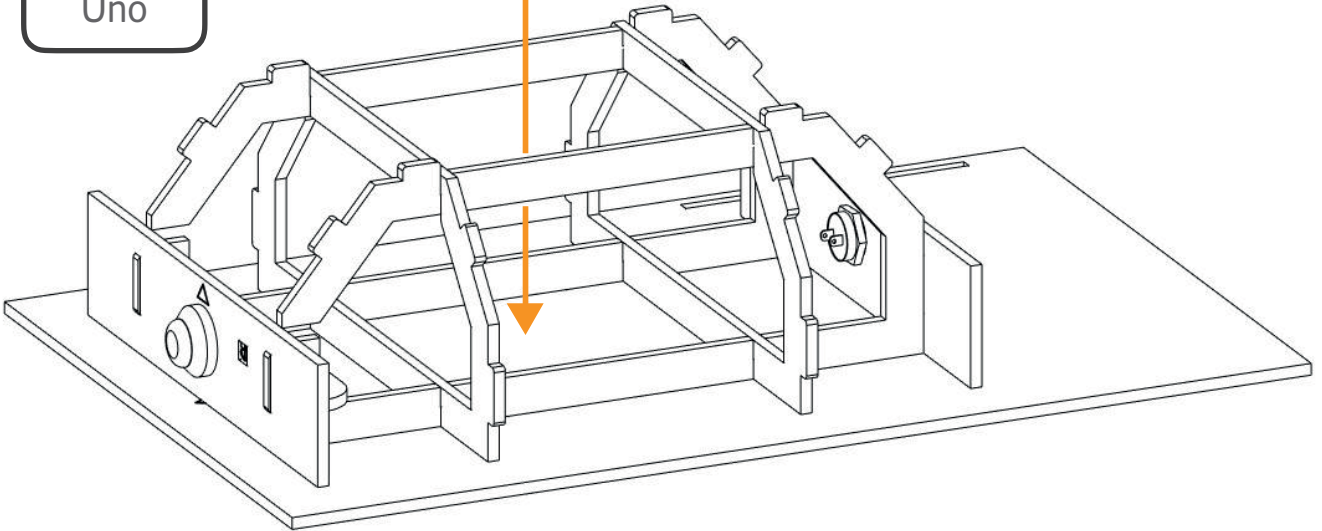
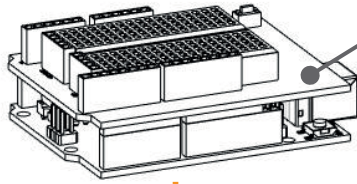


18

16

1 x
Arduino
Uno

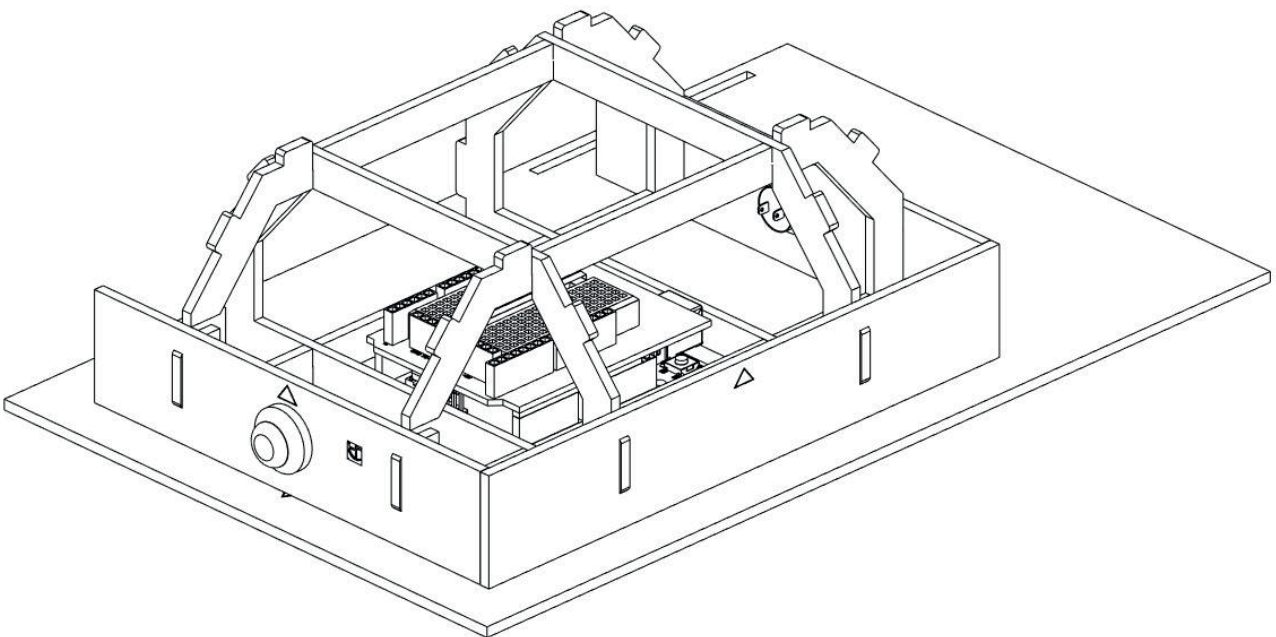
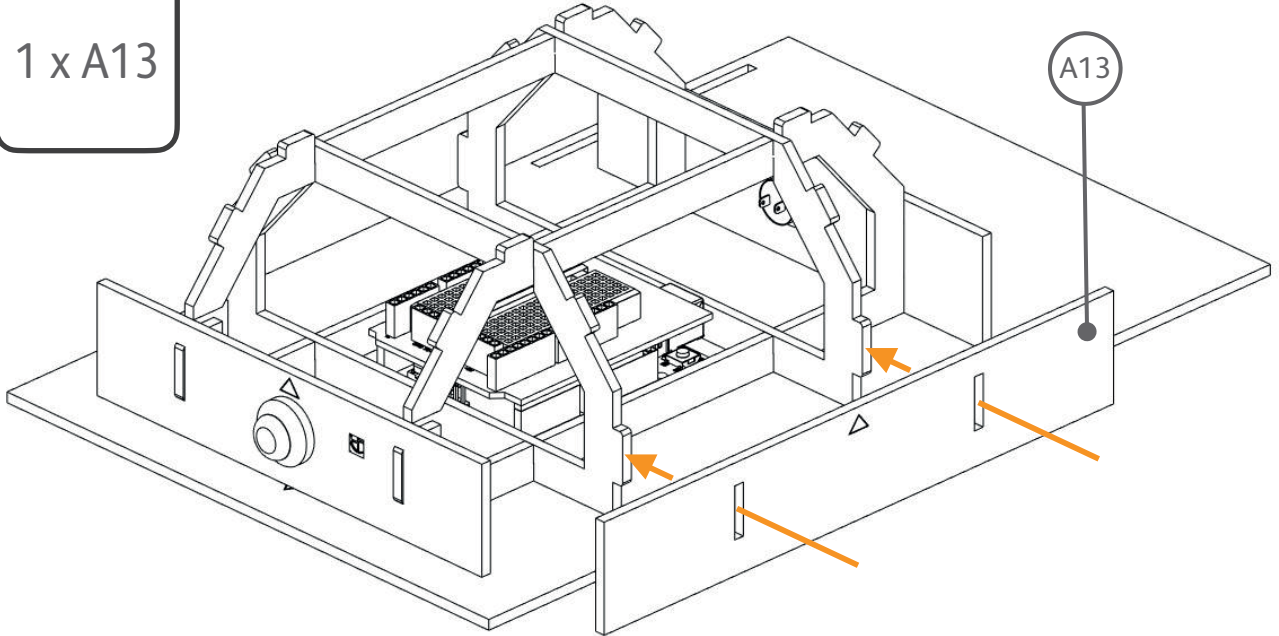
Arduino
Uno



19

17

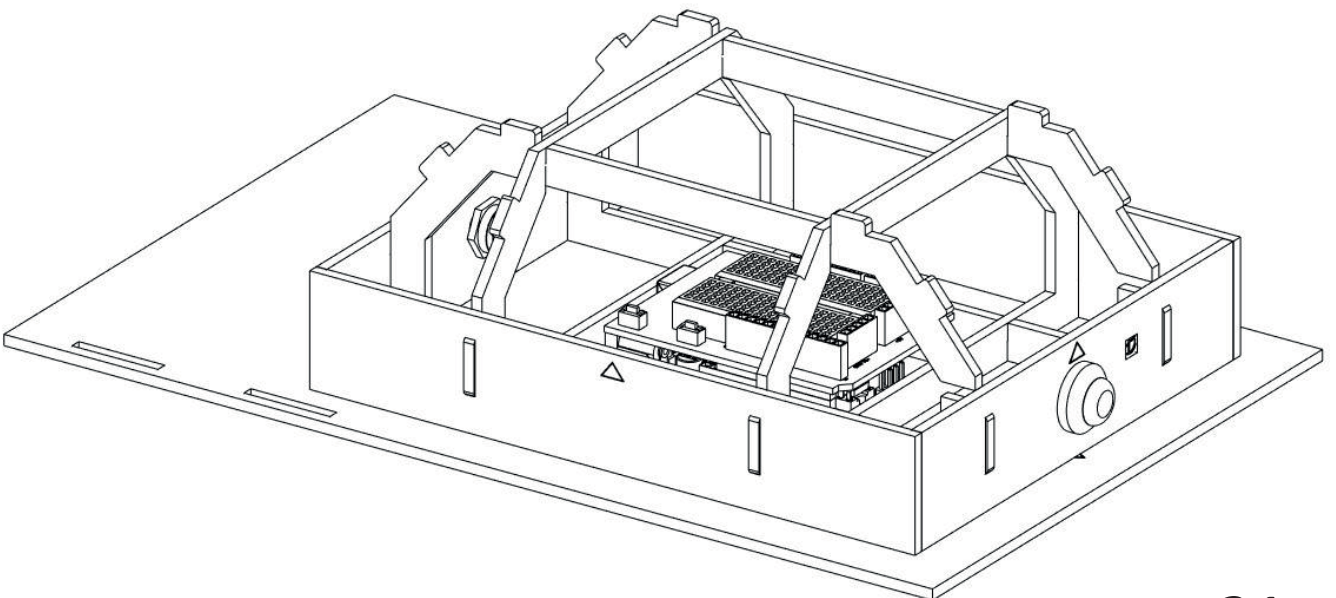
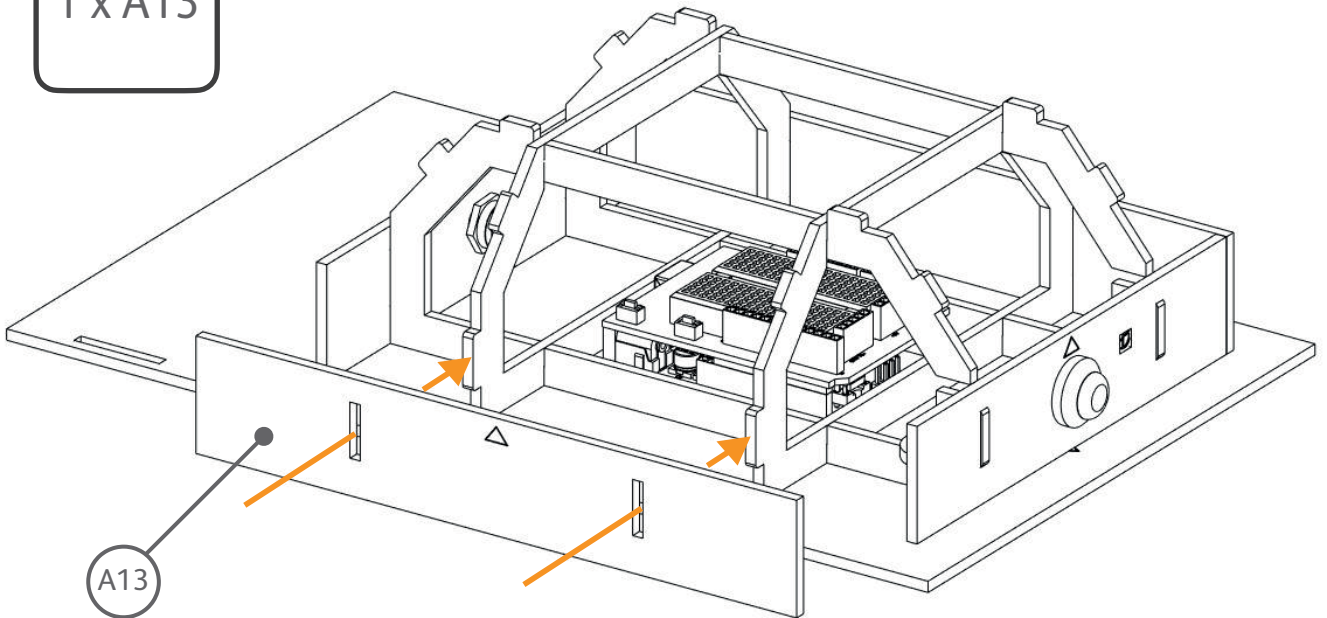
1 x A13



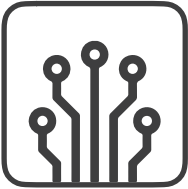
20

18

1 x A13



21



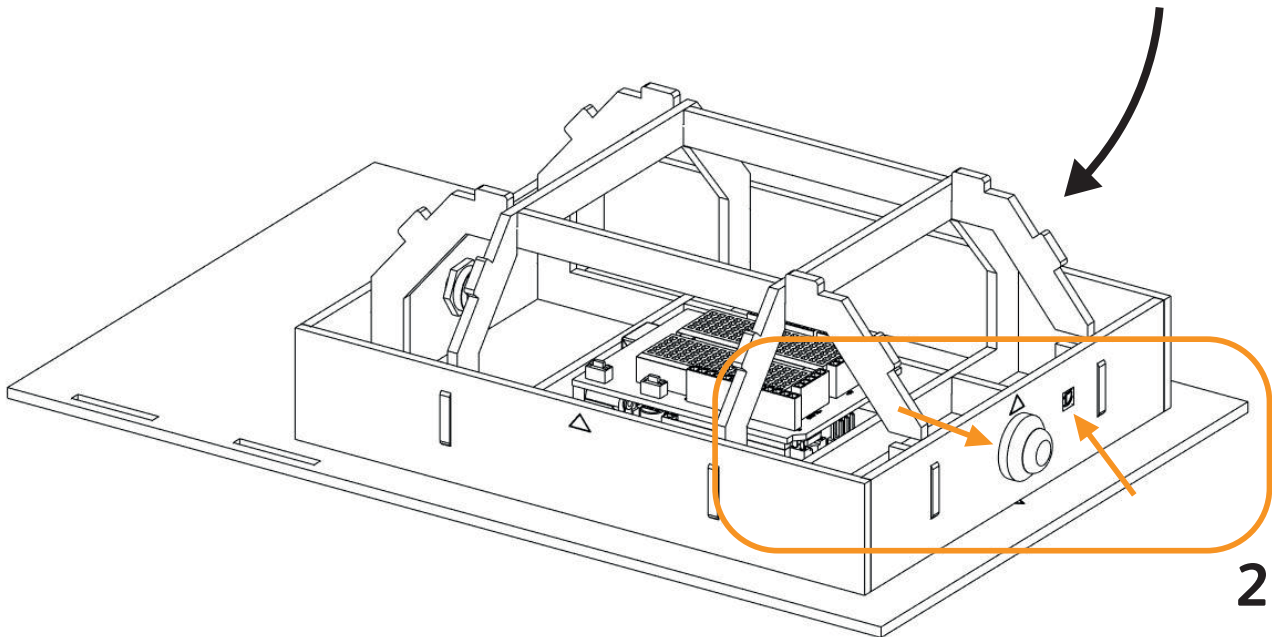
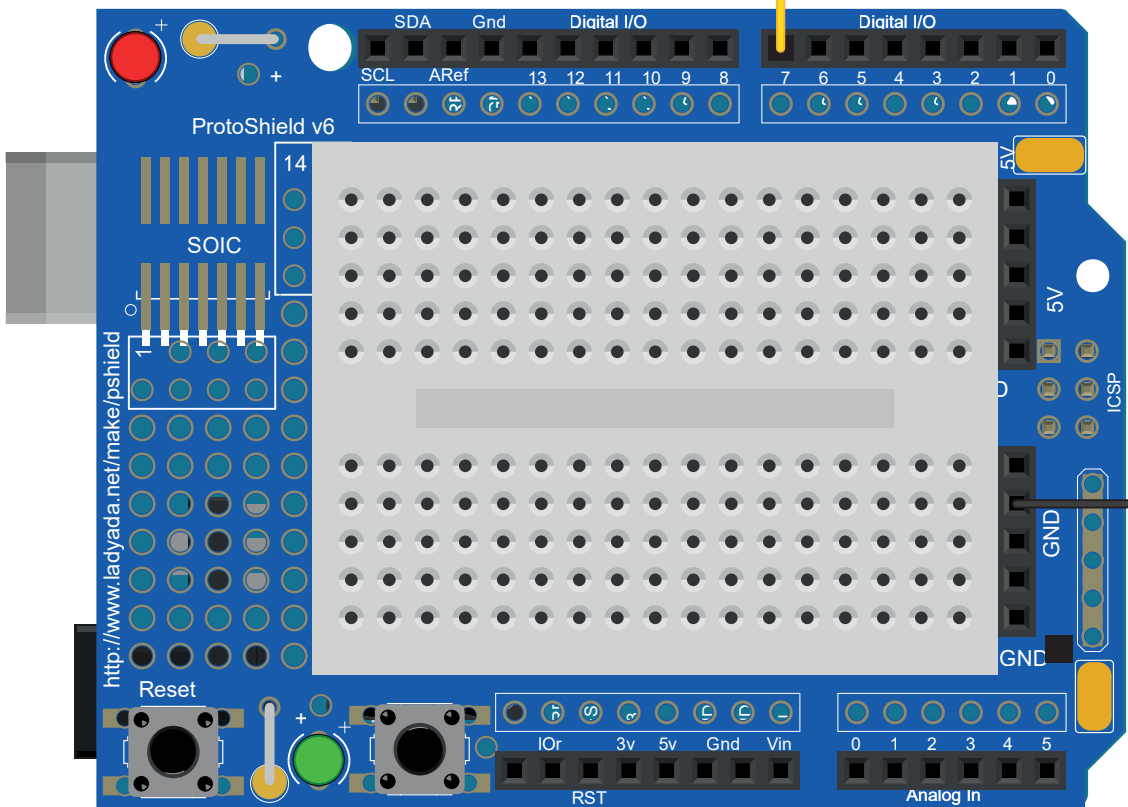
1 x
A15 with
Button

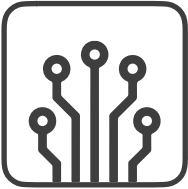
+ -> Pin 7

Extension Cable
(Another Male to Female wire attached)
Use only if the wire is too short.

Extension Cable
(Another Male to Female wire attached)
Use only if the wire is too short.

- -> GND





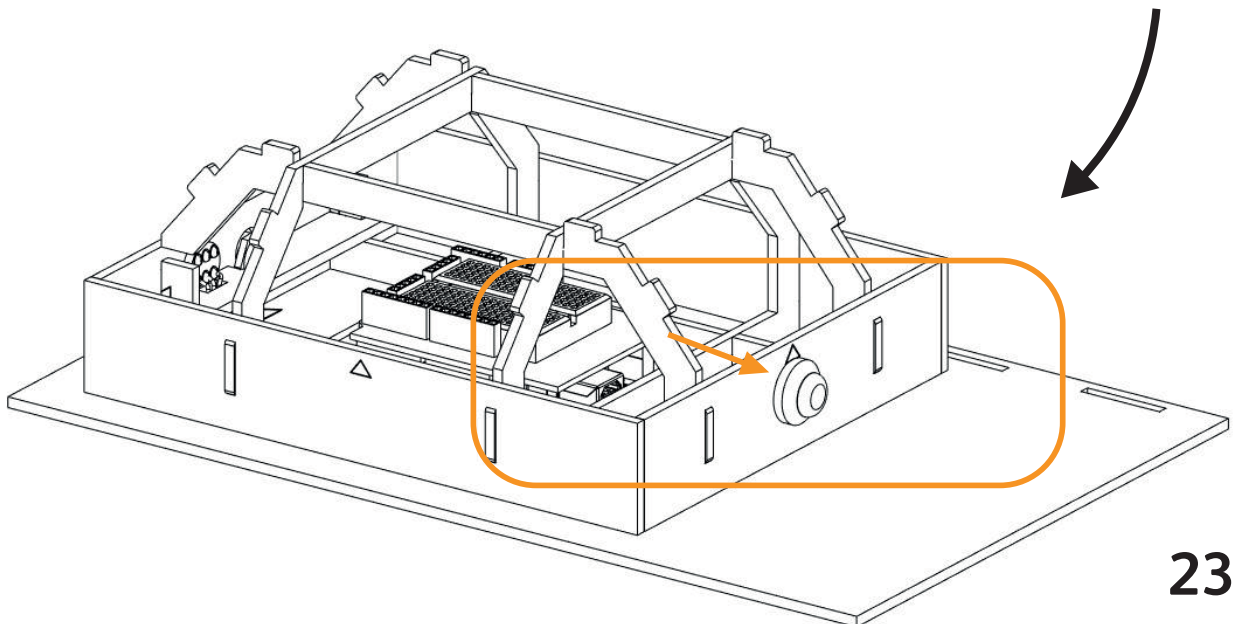
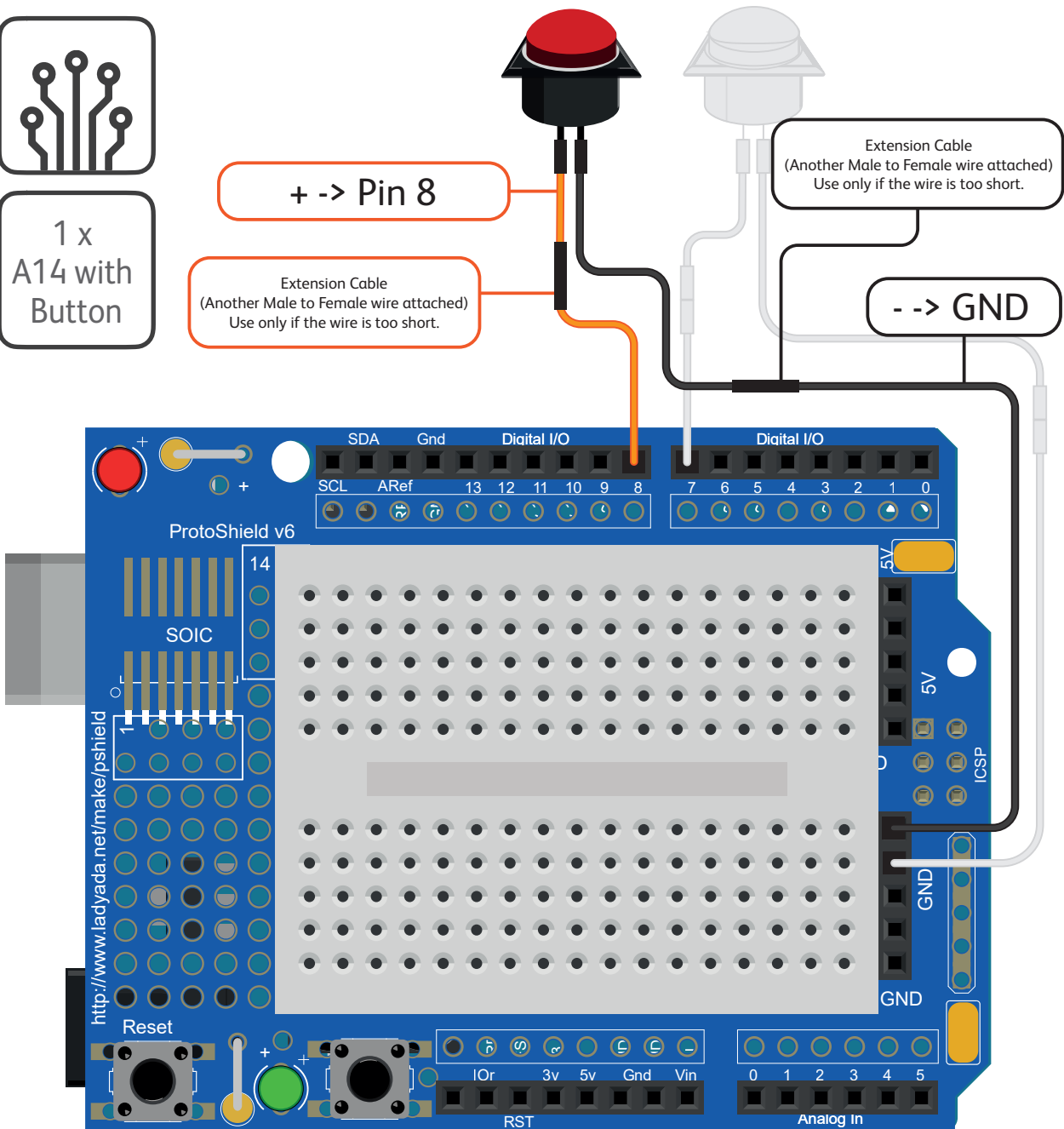
1 x
A14 with
Button

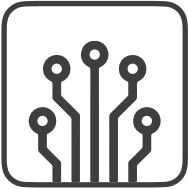
+ -> Pin 8

Extension Cable
(Another Male to Female wire attached)
Use only if the wire is too short.

Extension Cable
(Another Male to Female wire attached)
Use only if the wire is too short.

- -> GND

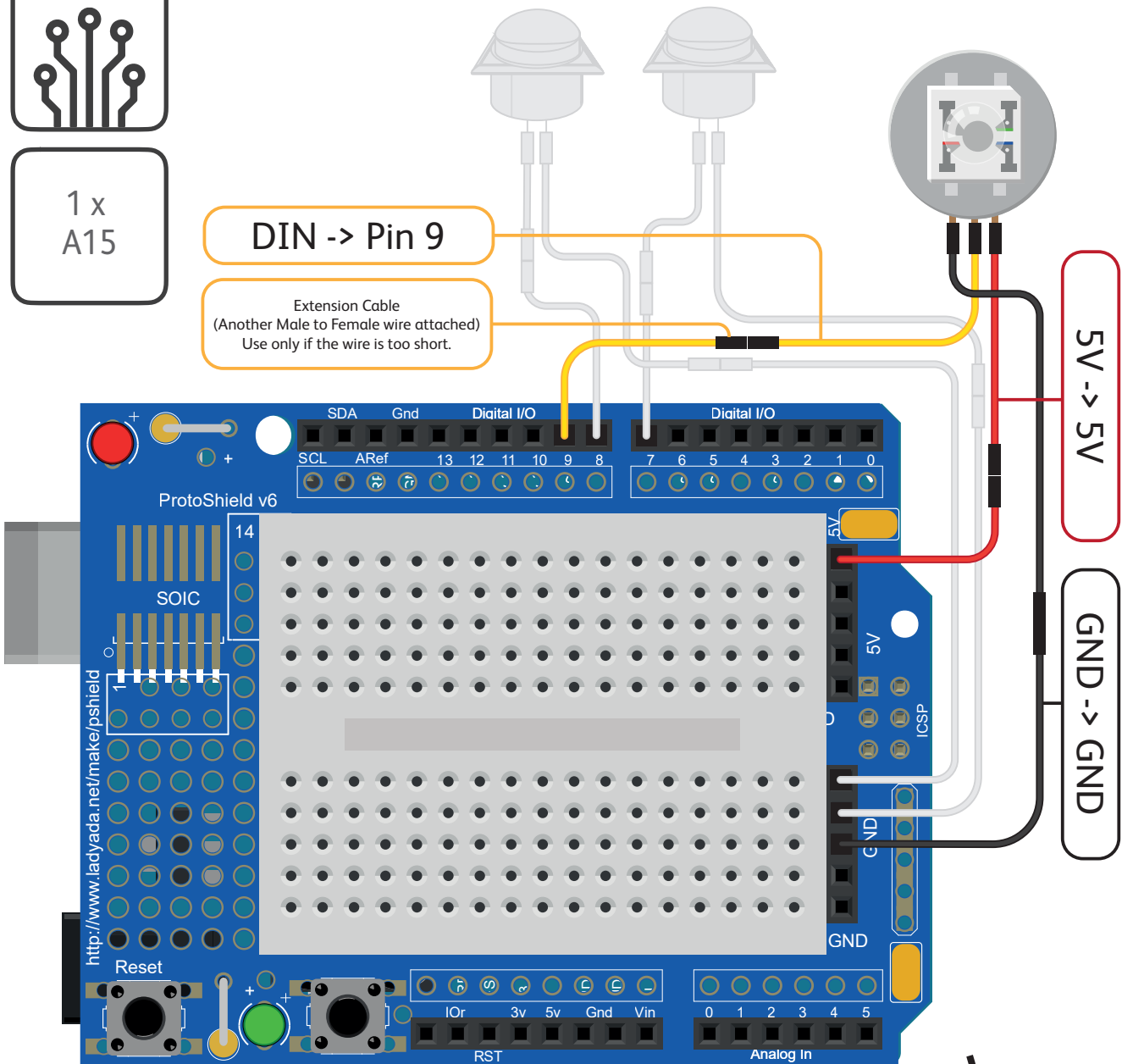




1 x
A15

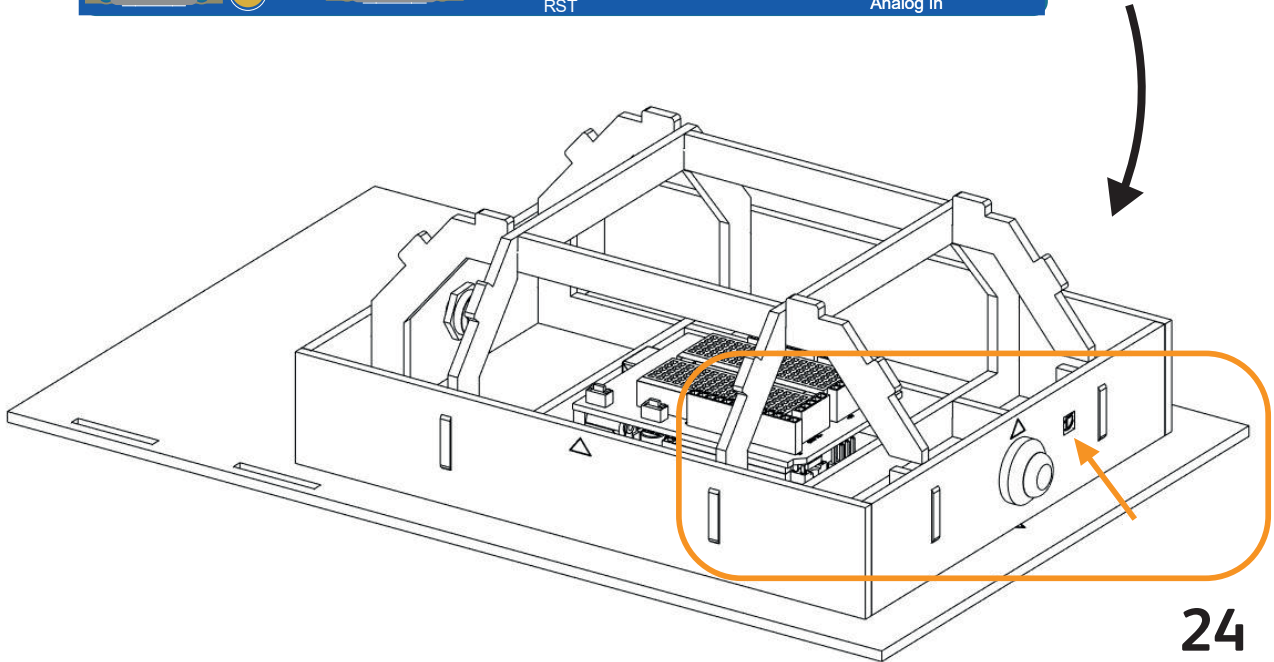
DIN -> Pin 9

Extension Cable
(Another Male to Female wire attached)
Use only if the wire is too short.



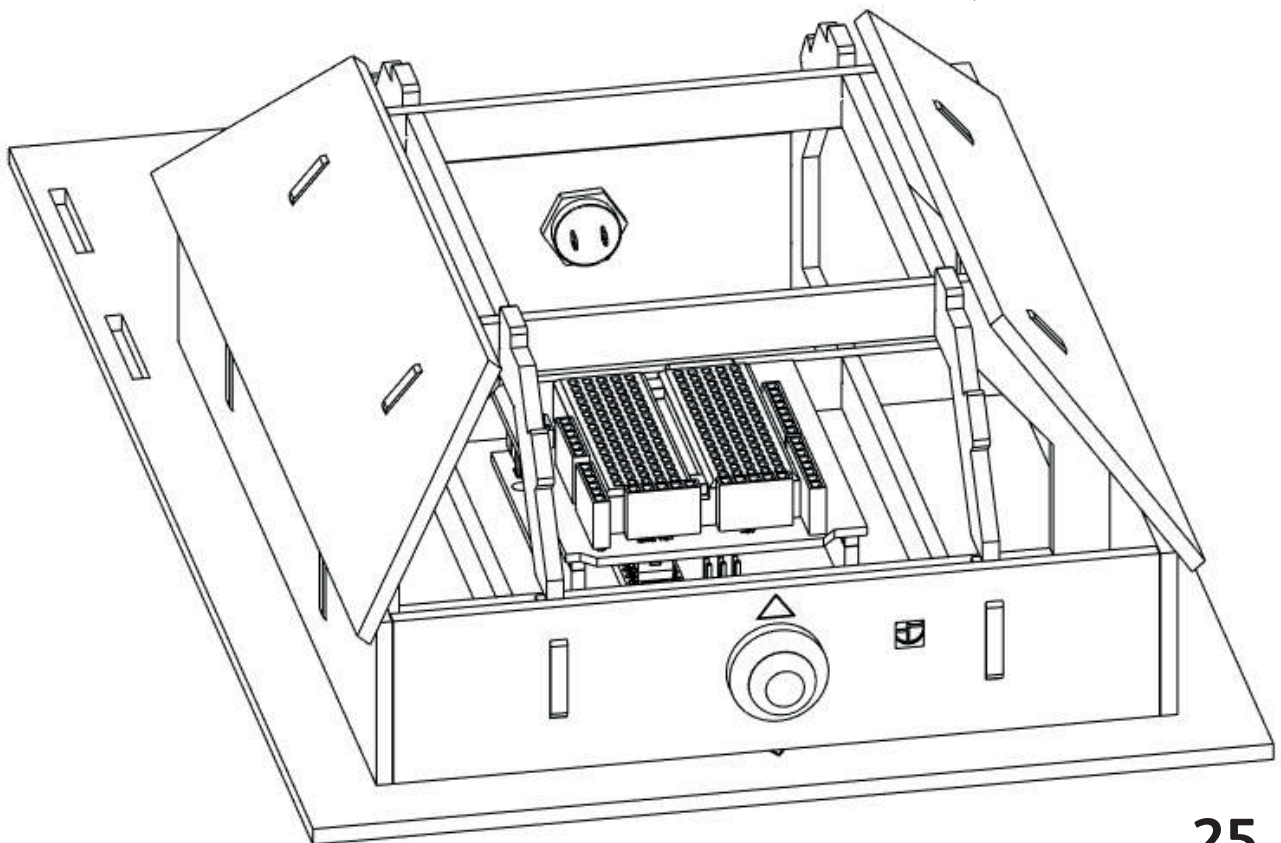
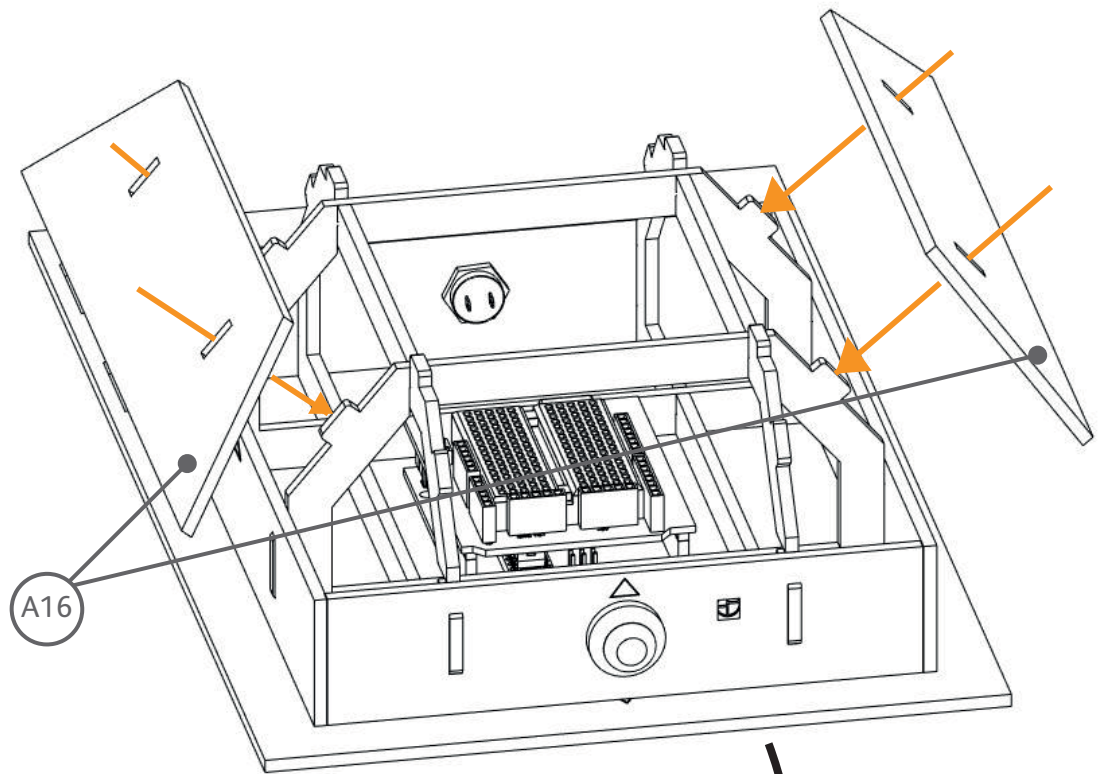
5V -> 5V

GND -> GND



19

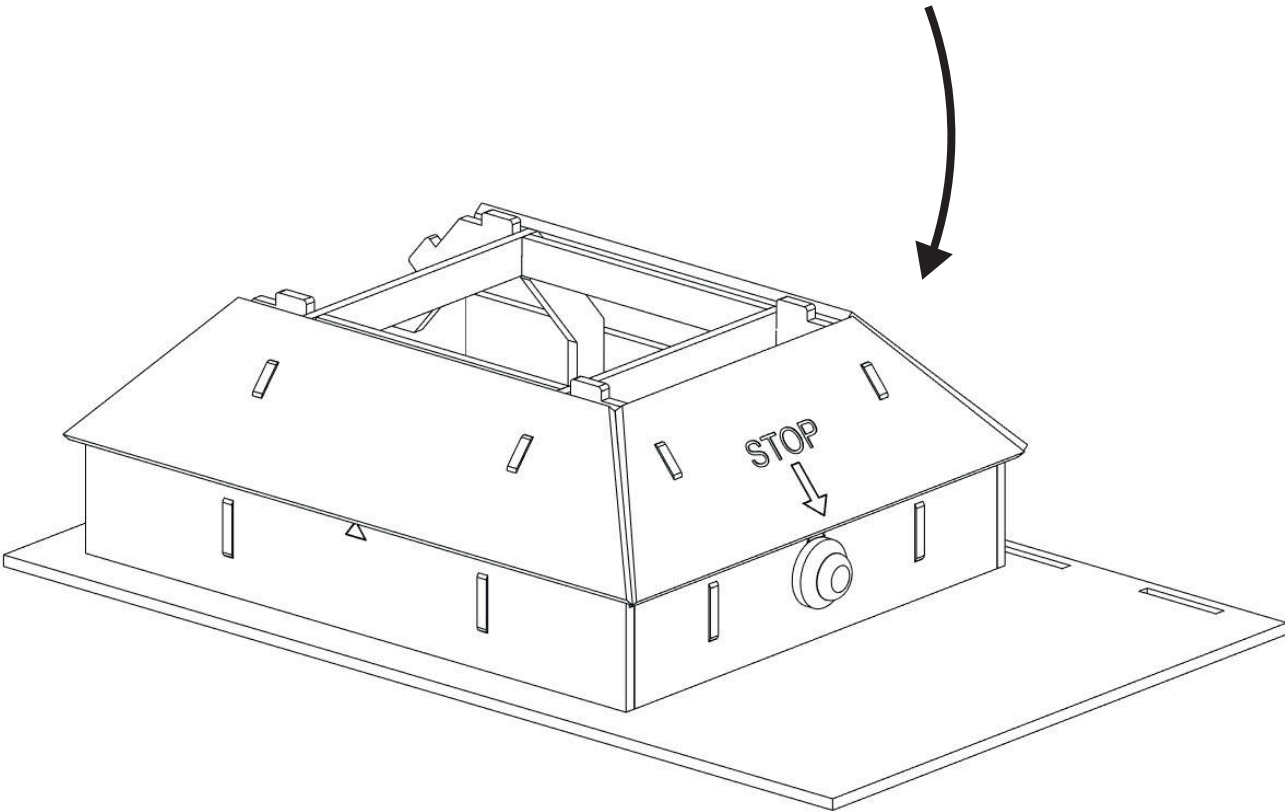
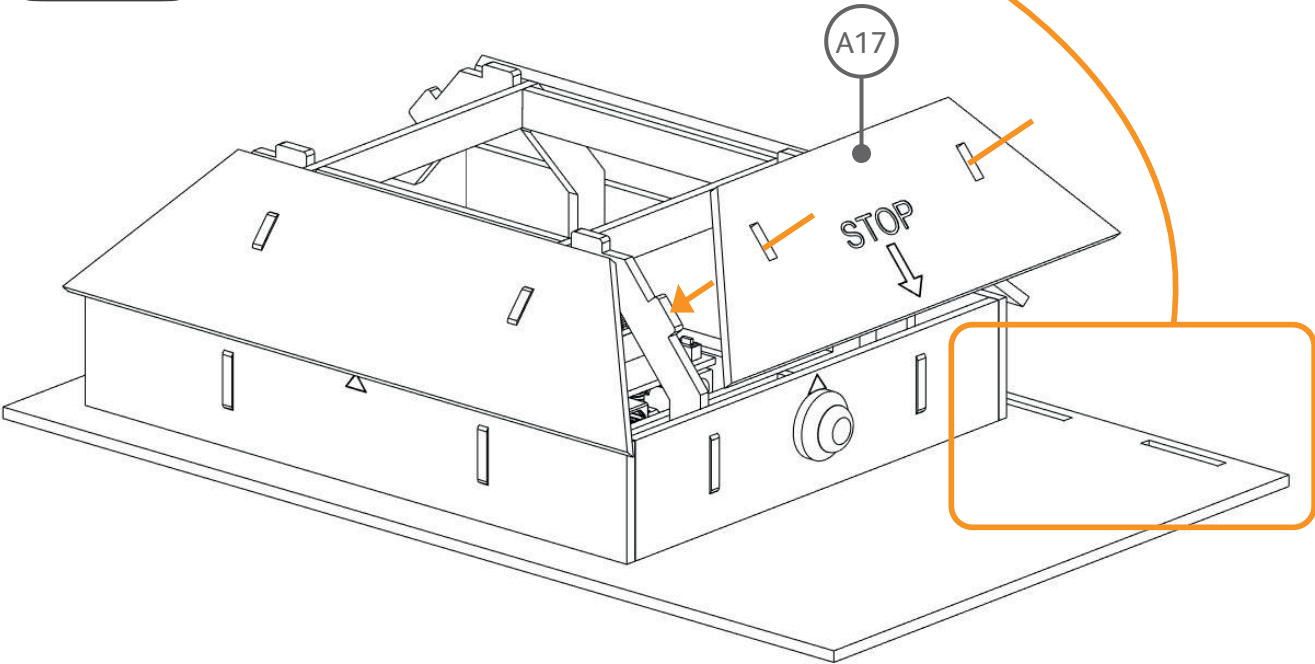
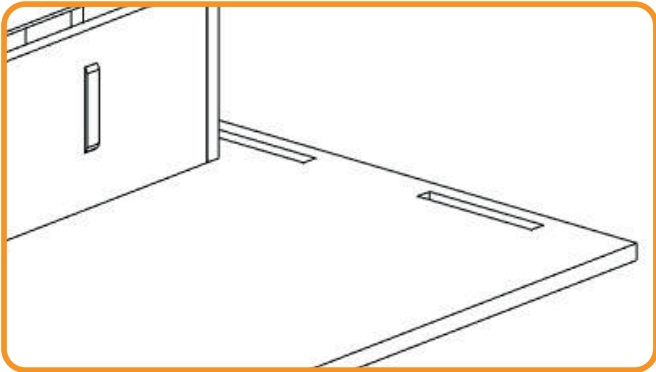
2 x A16



25

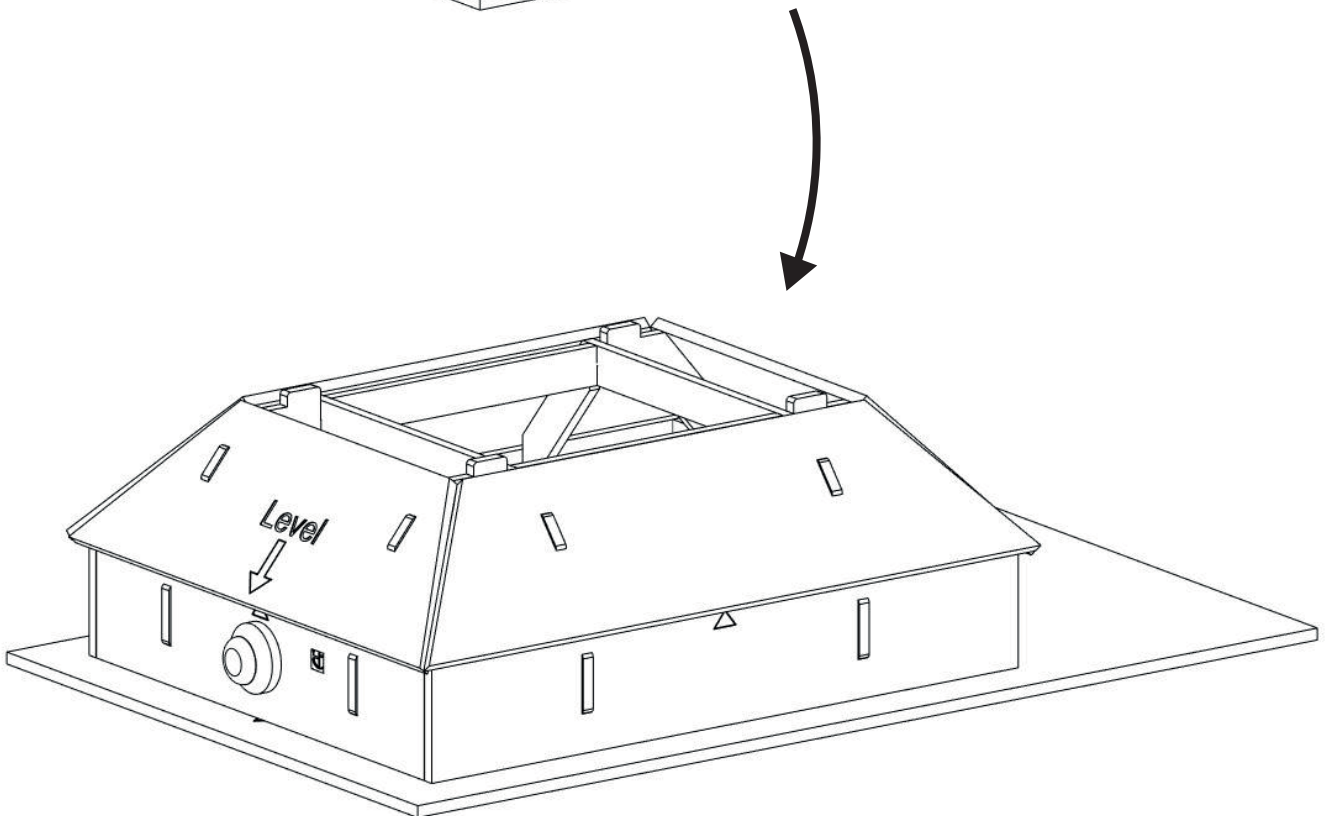
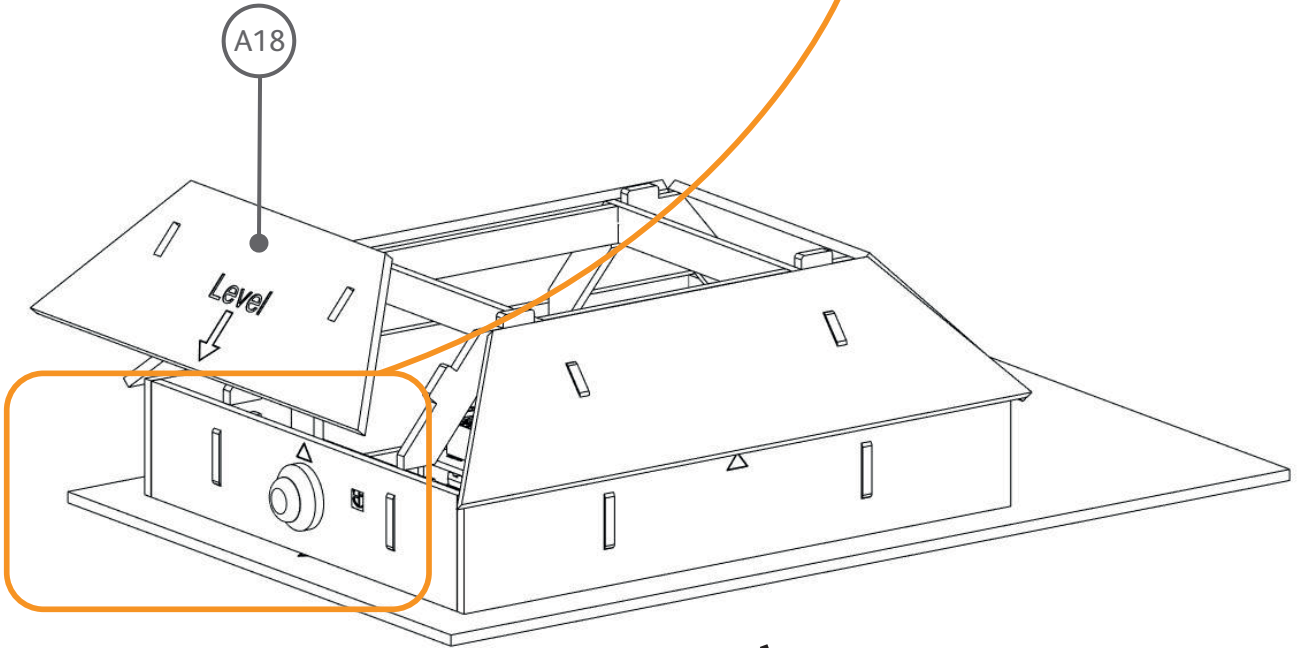
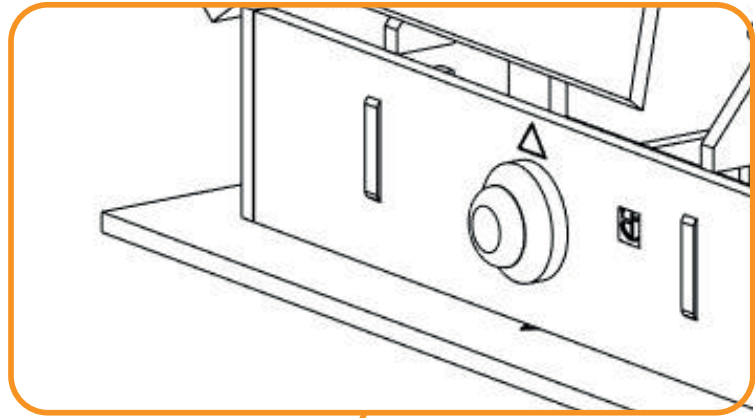
20

1 x A17



21

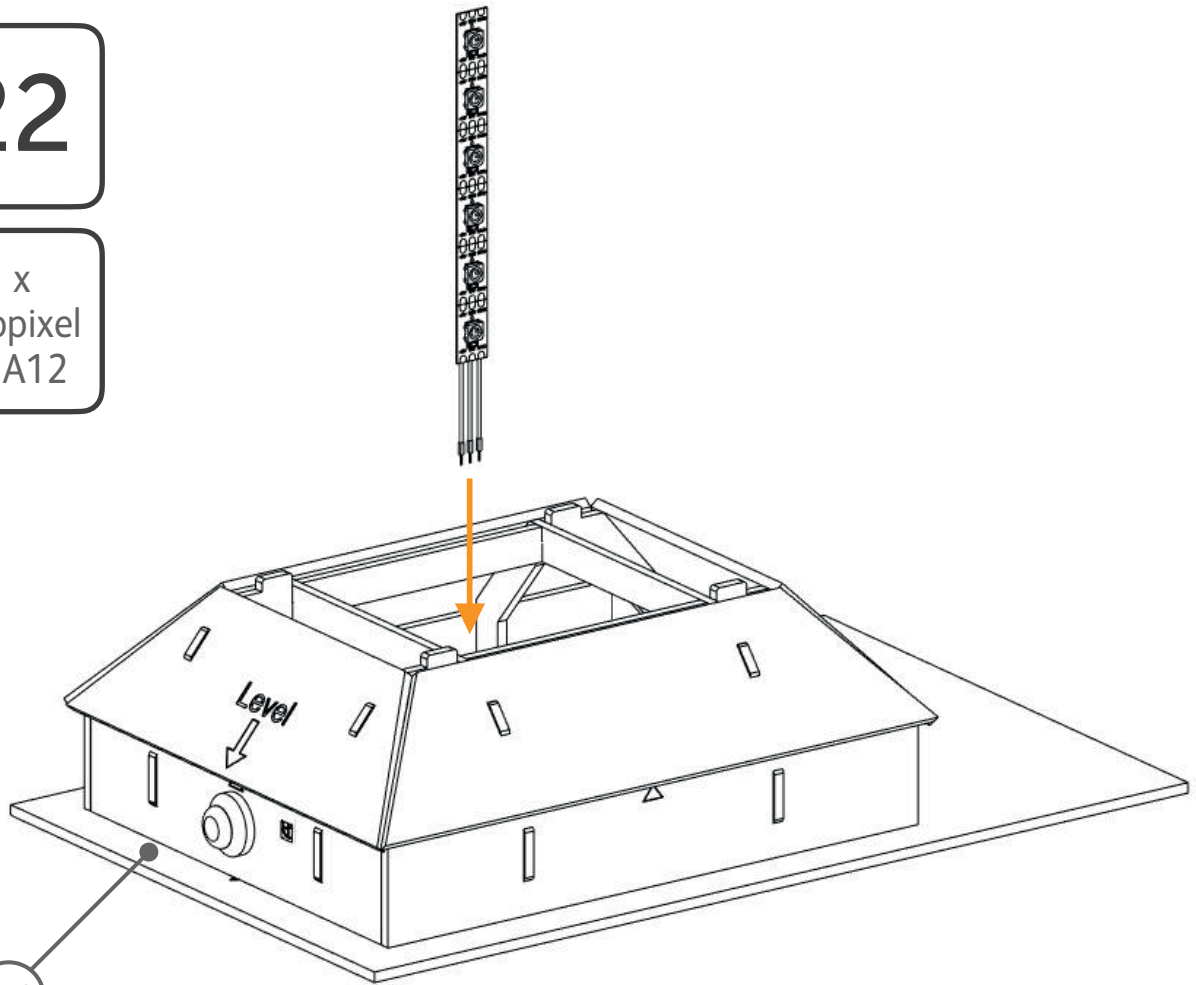
1 x A18



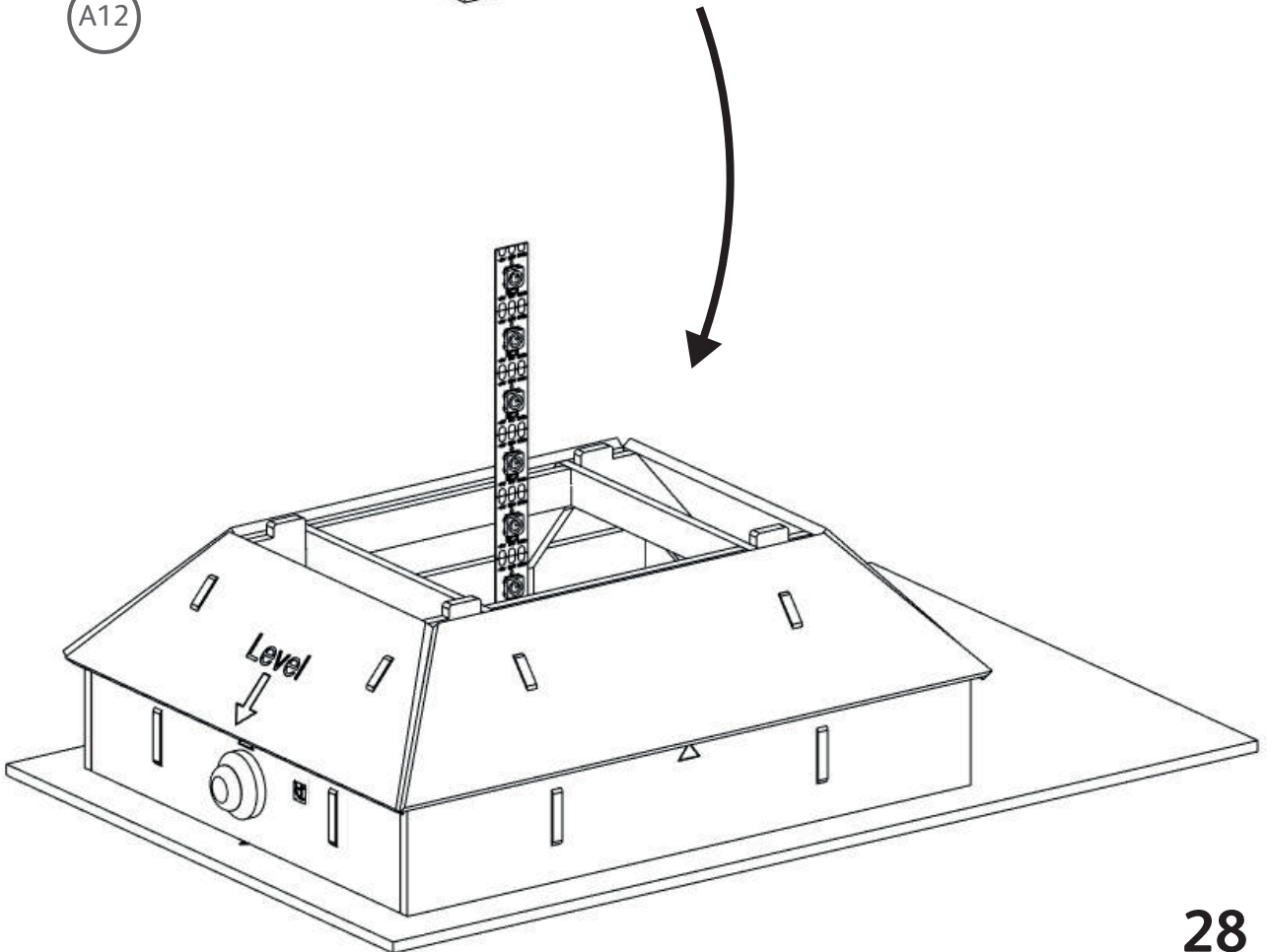
27

22

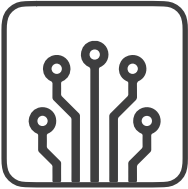
1 x
Neopixel
1 x A12



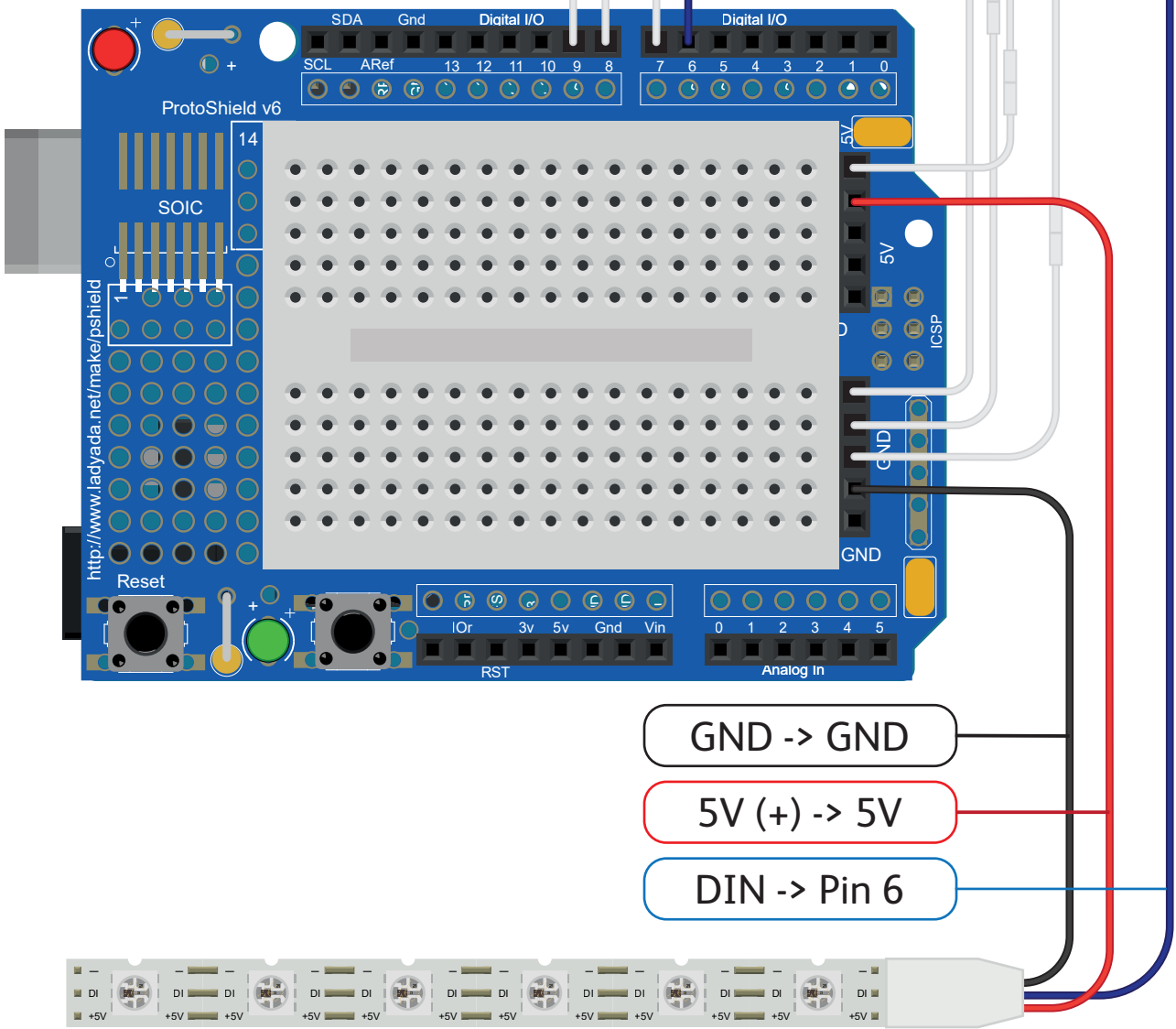
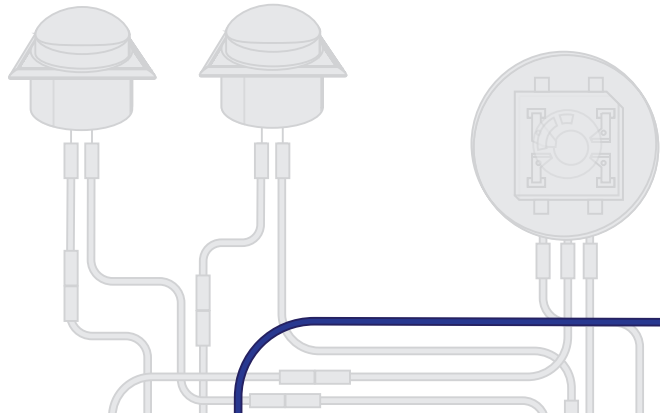
A12

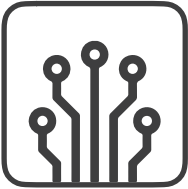


28



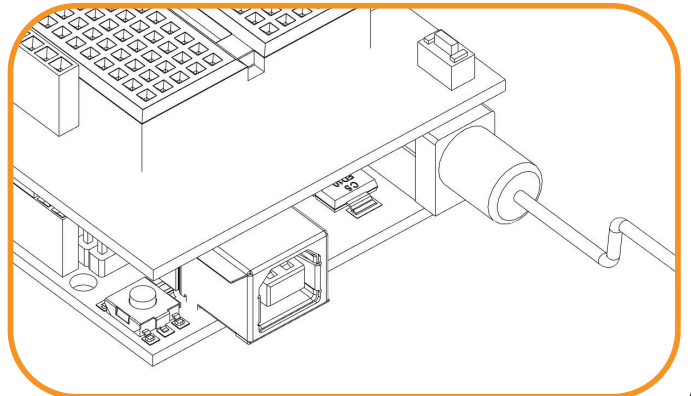
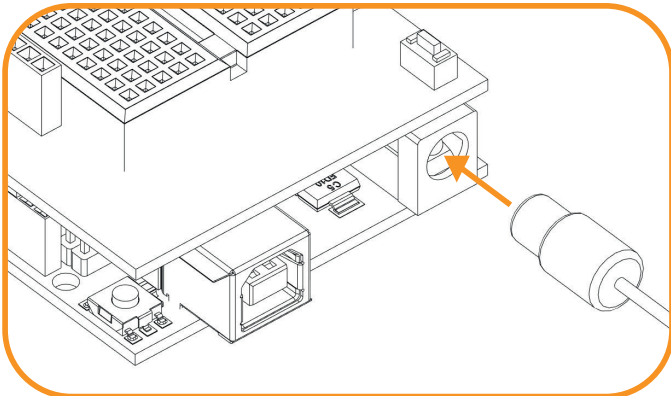
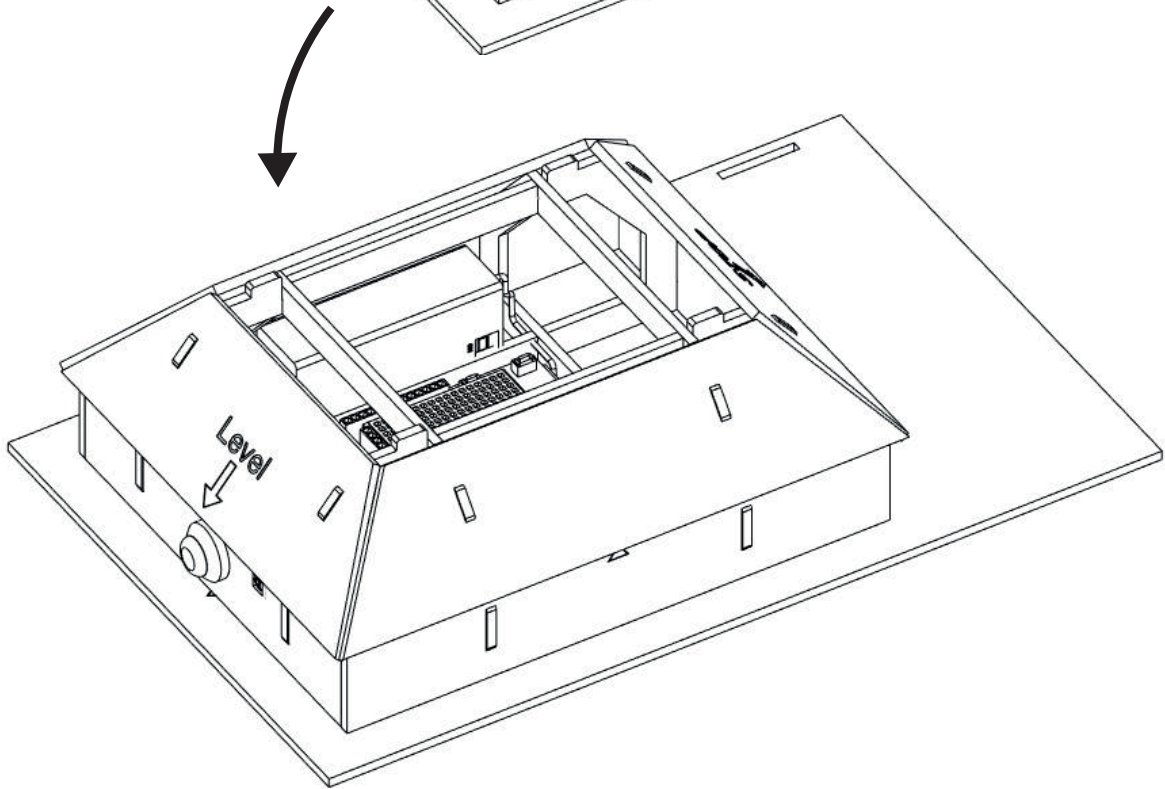
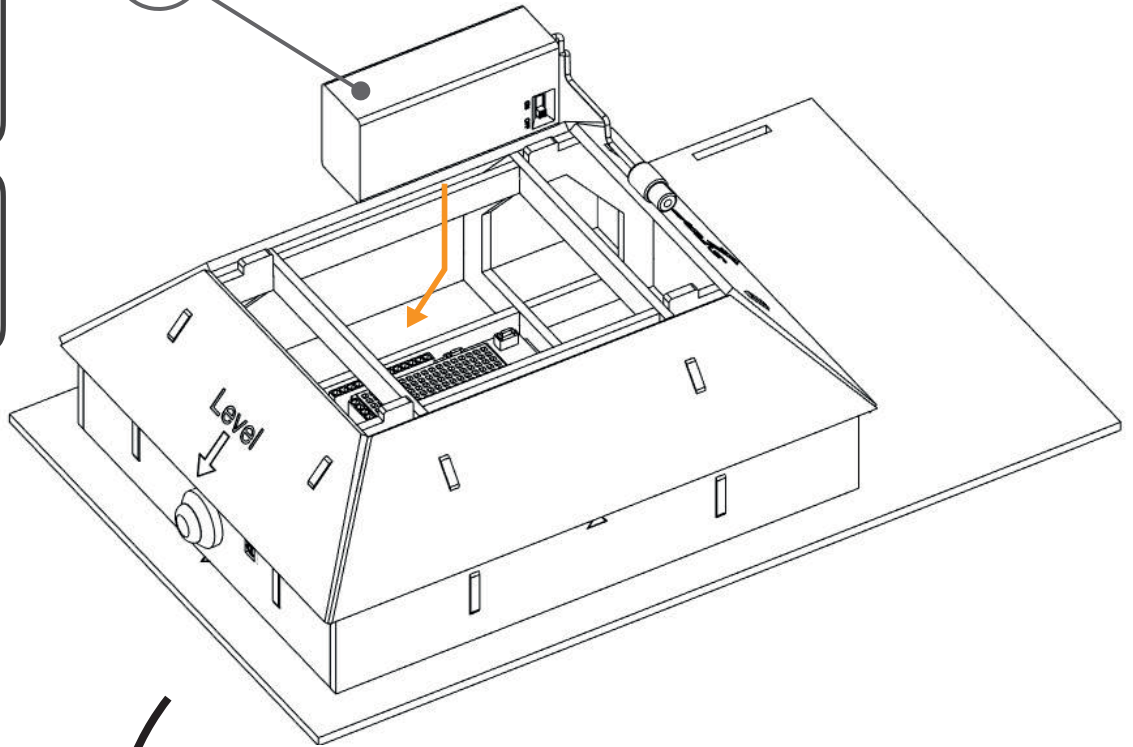
1 x LED Strip



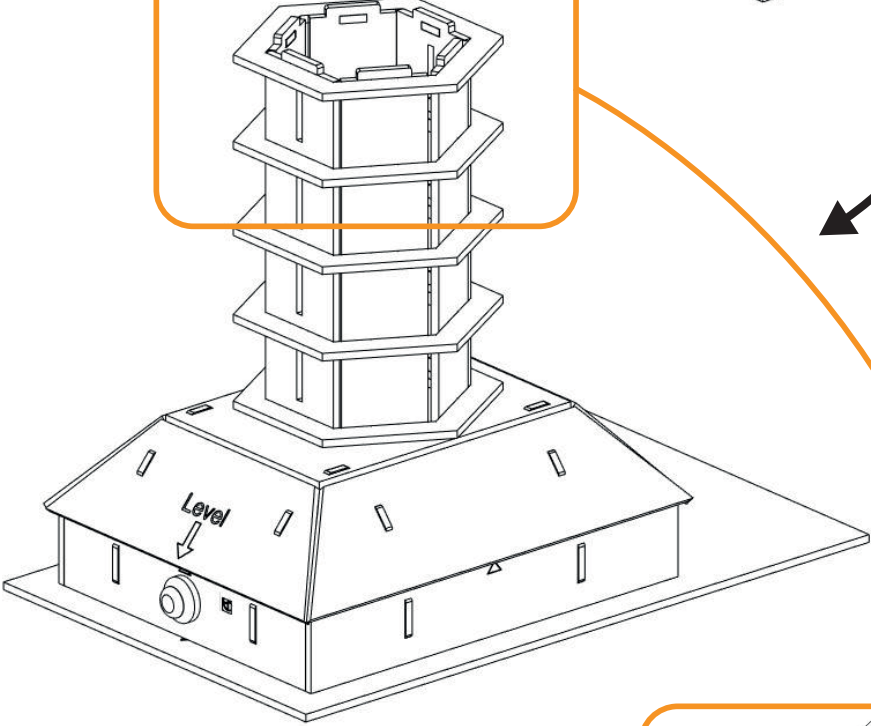
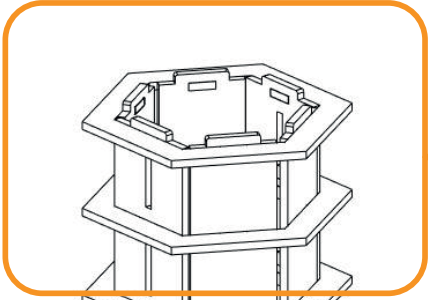
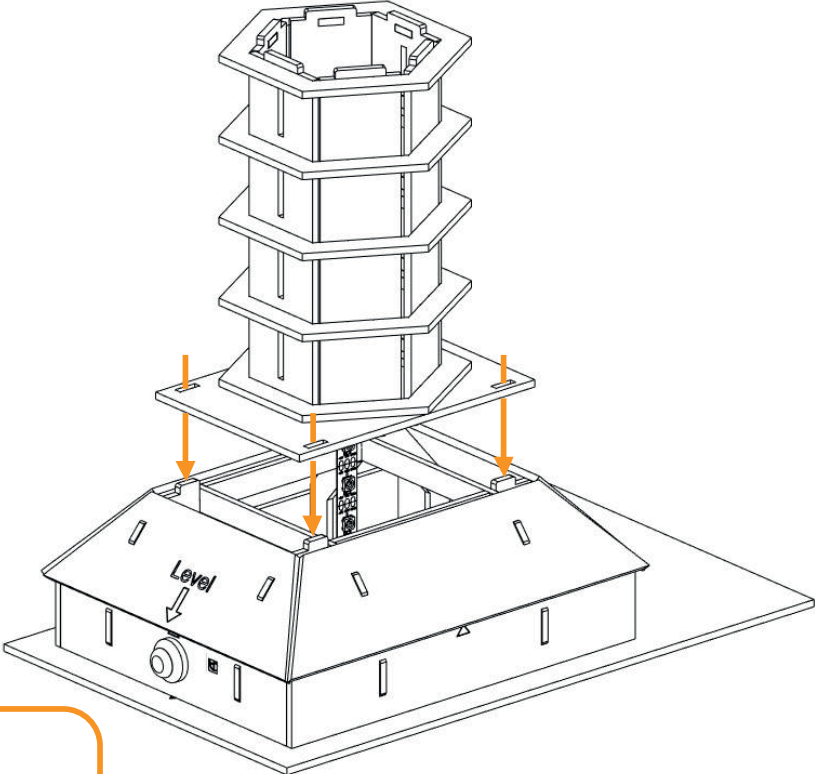


1 x 9V
Battery
Pack

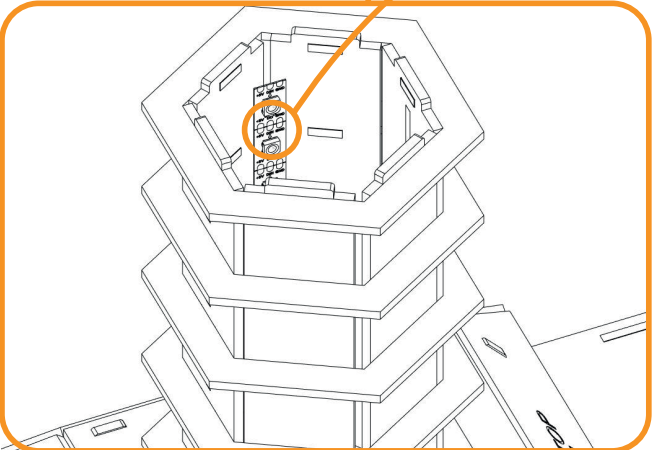
Battery
Pack



23



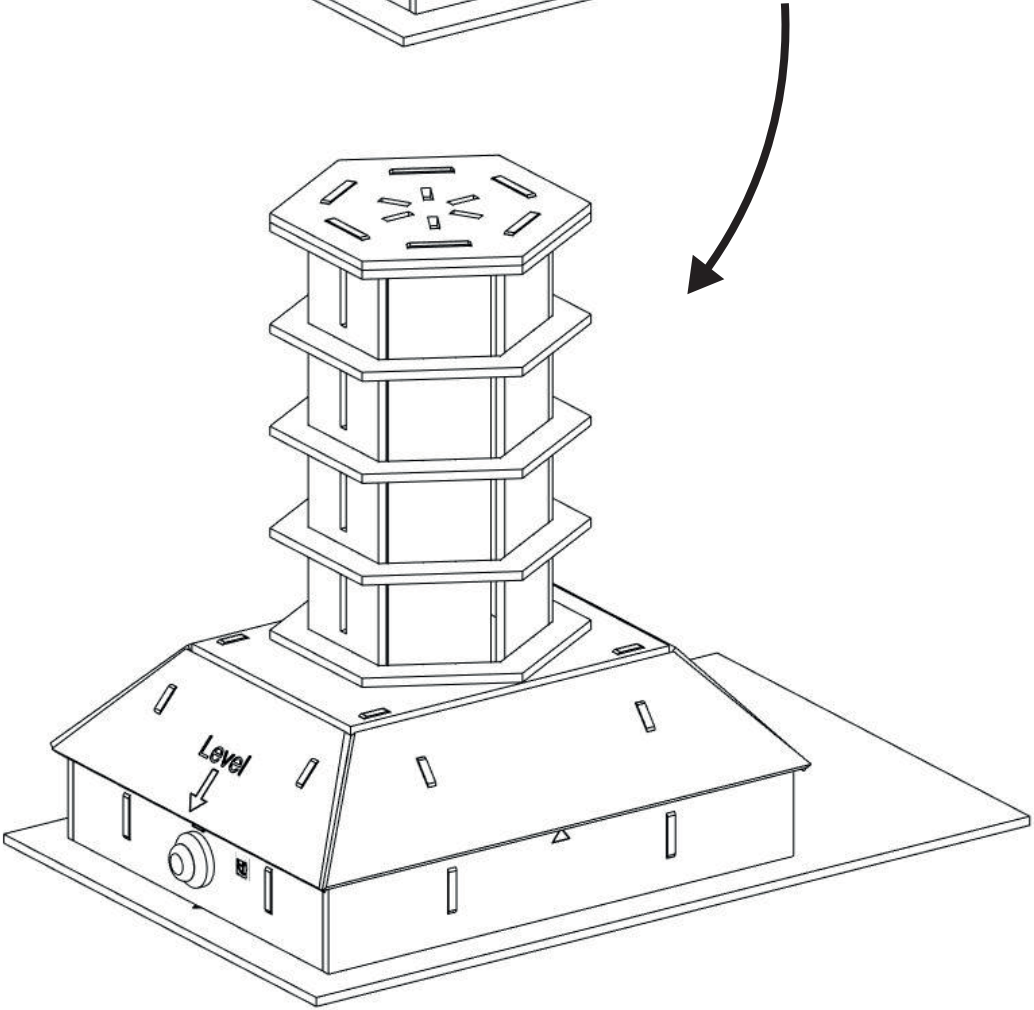
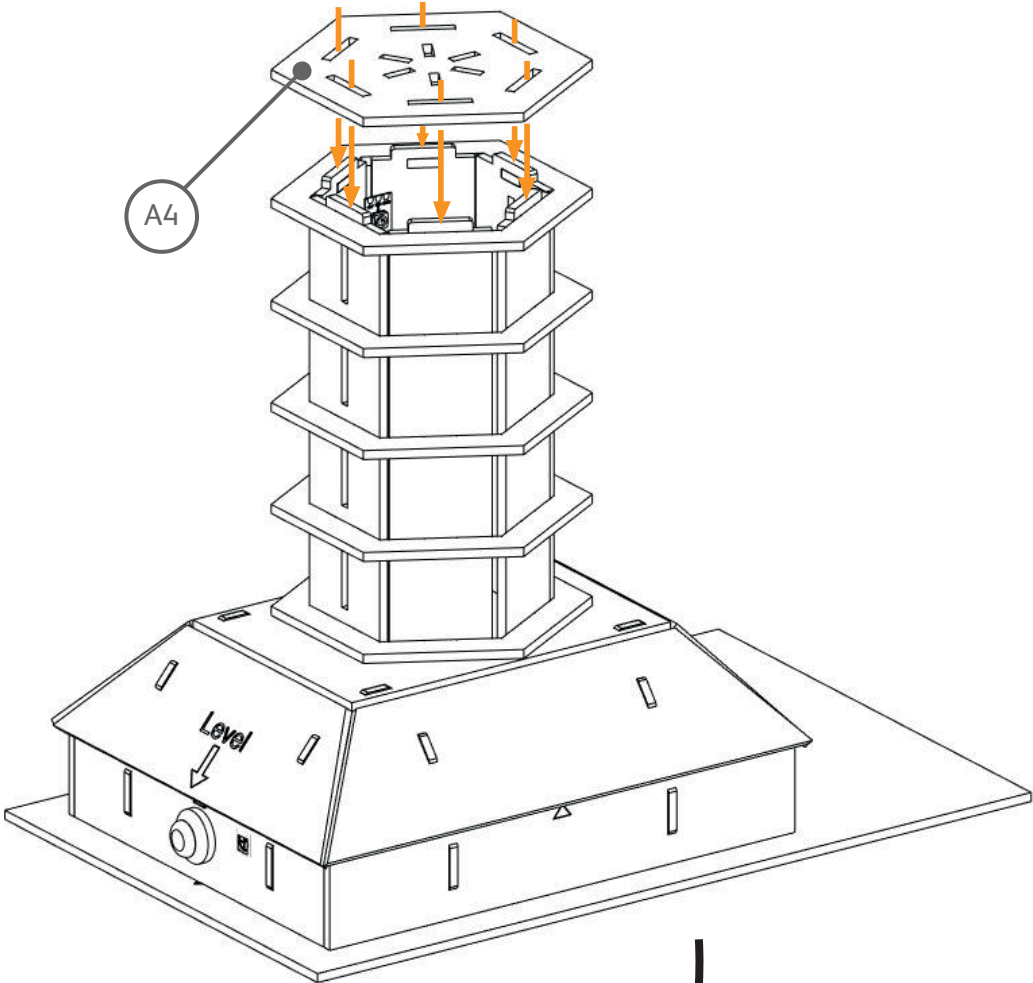
Blu Tack



31

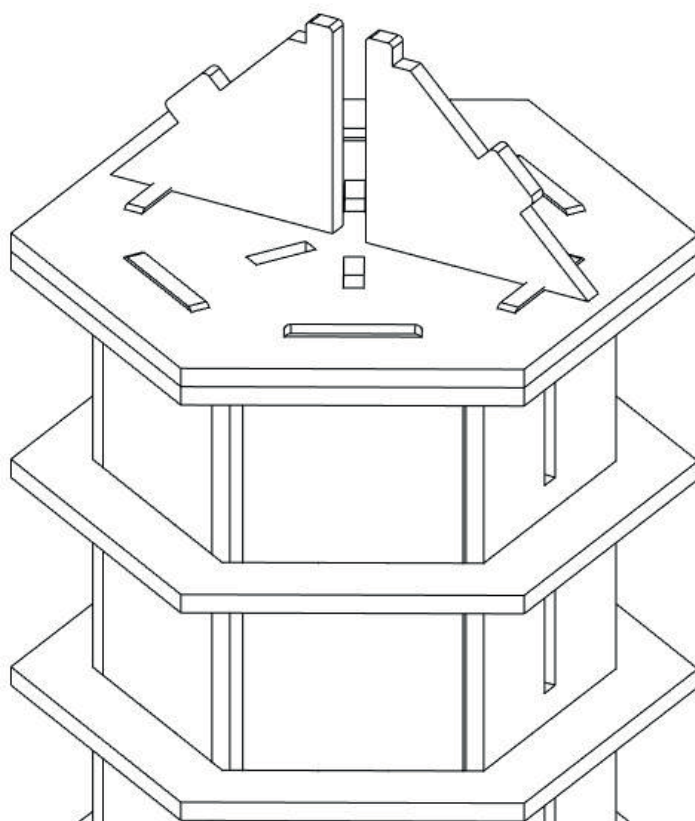
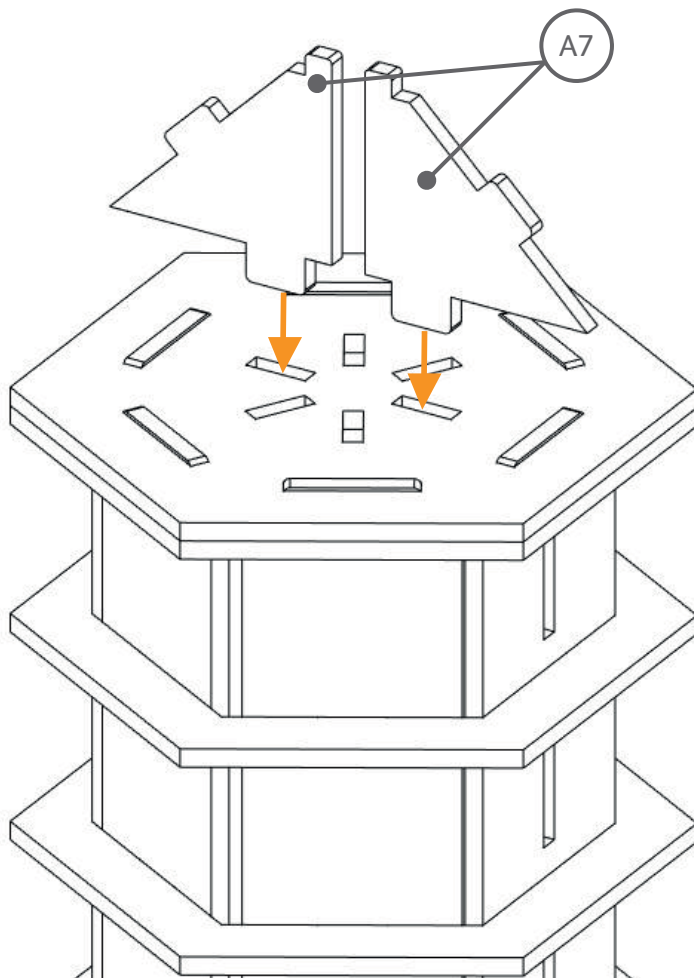
24

1 x A4



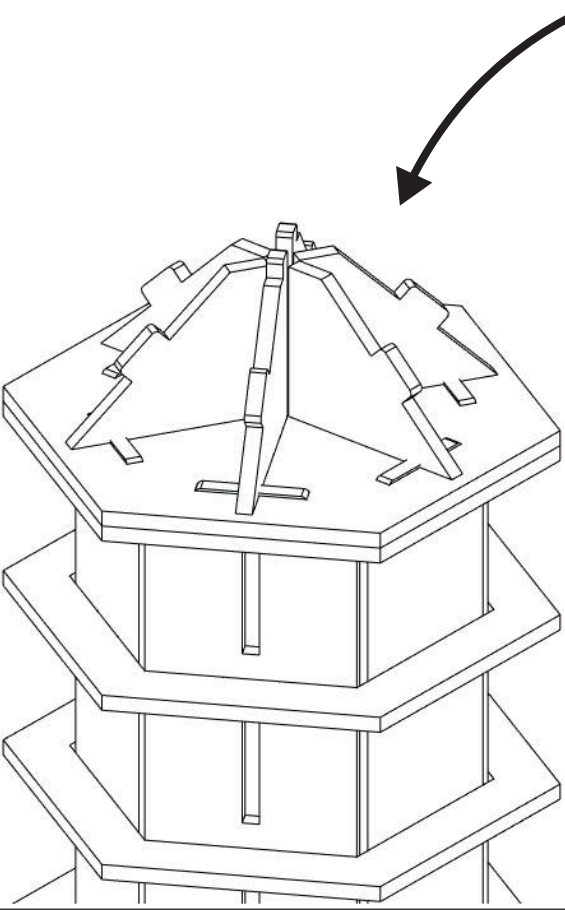
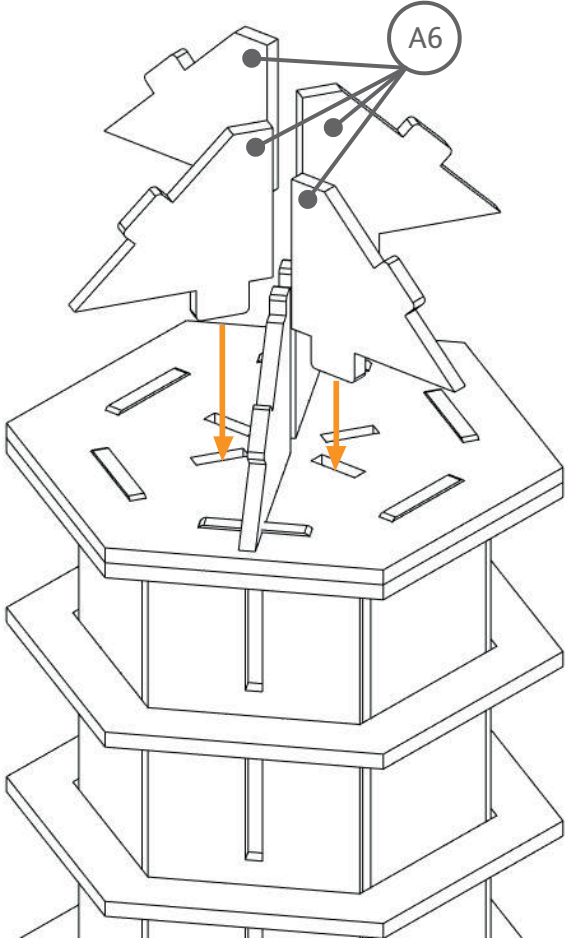
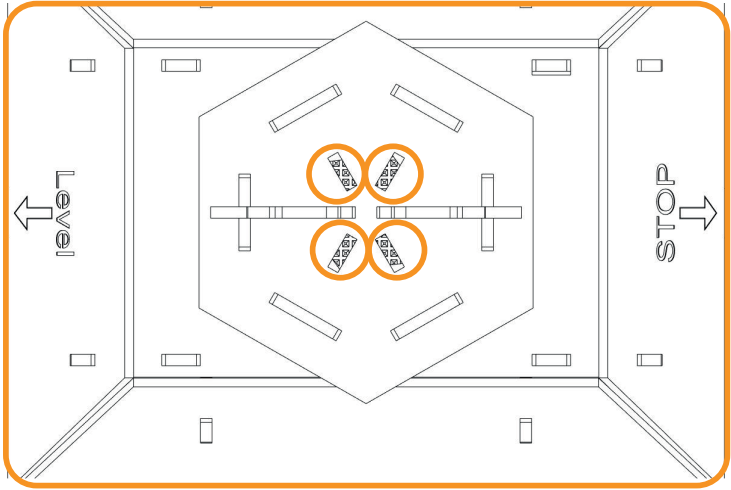
25

2 x A7



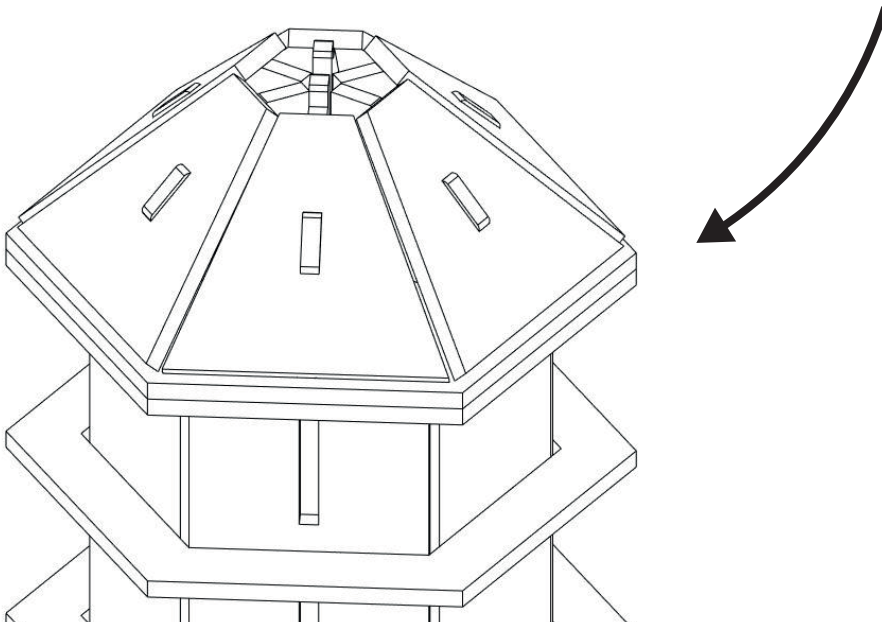
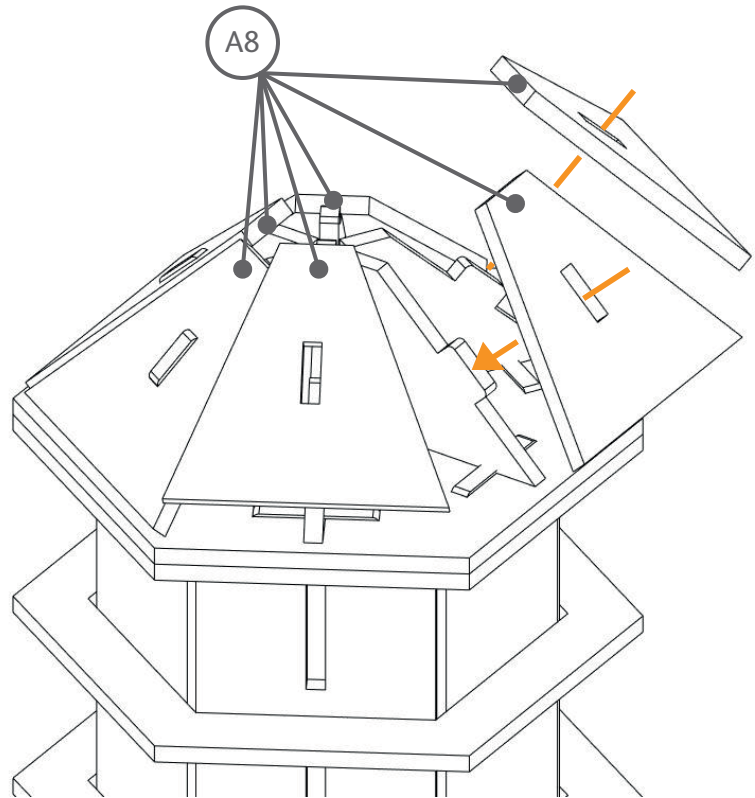
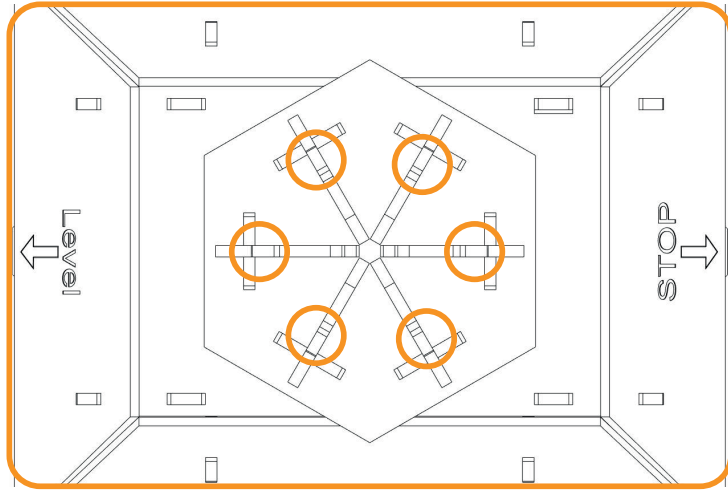
26

4 x A6



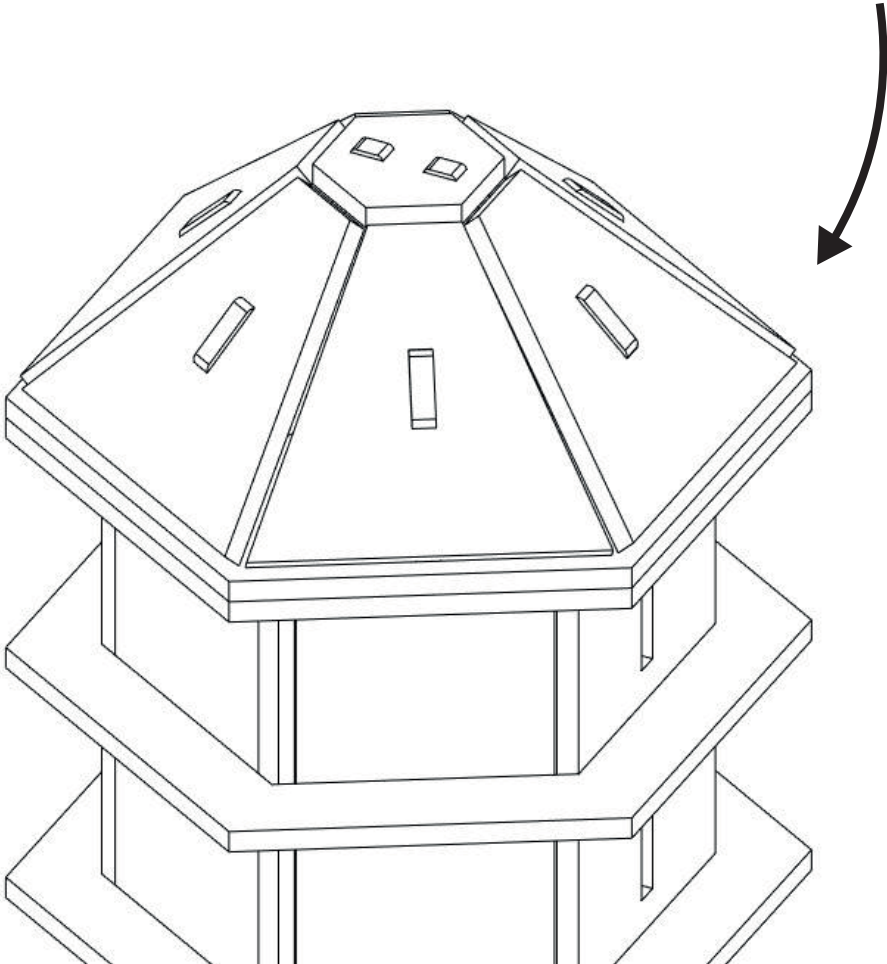
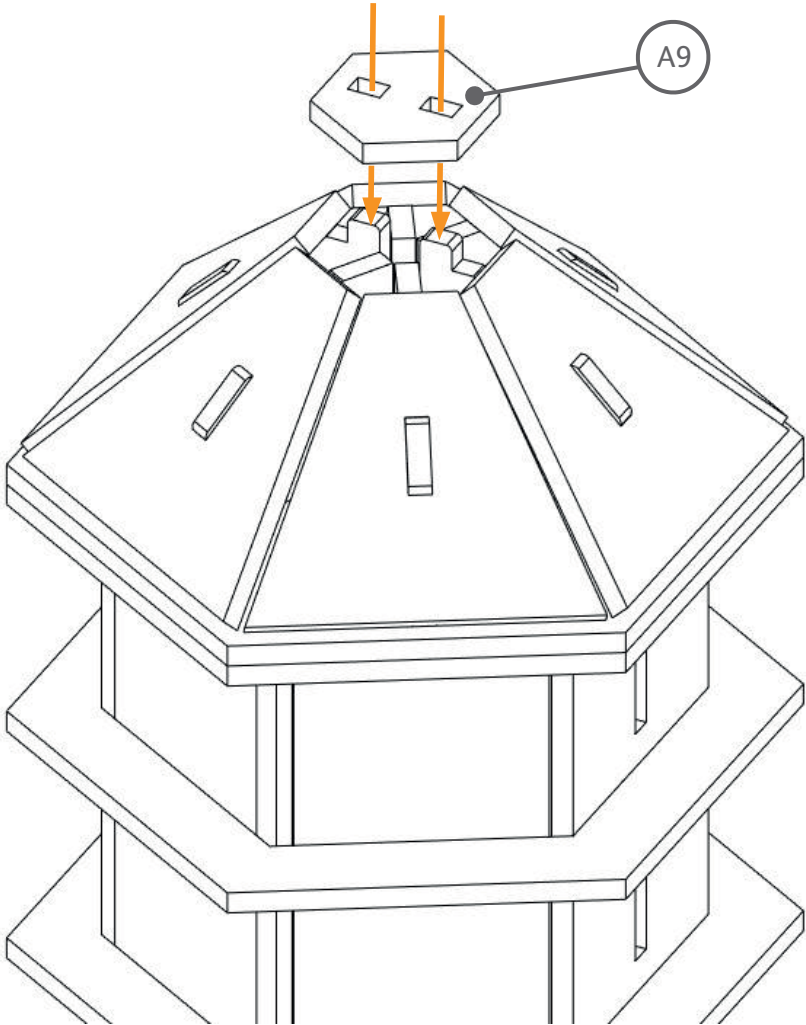
27

6 x A8



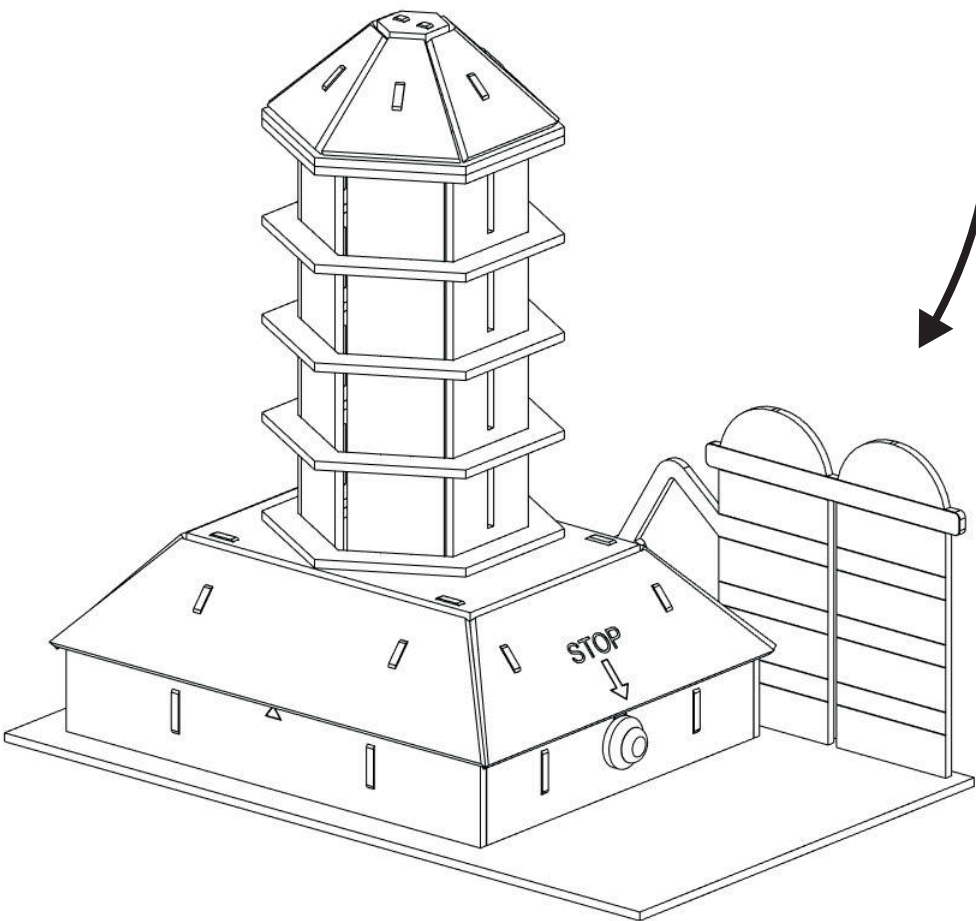
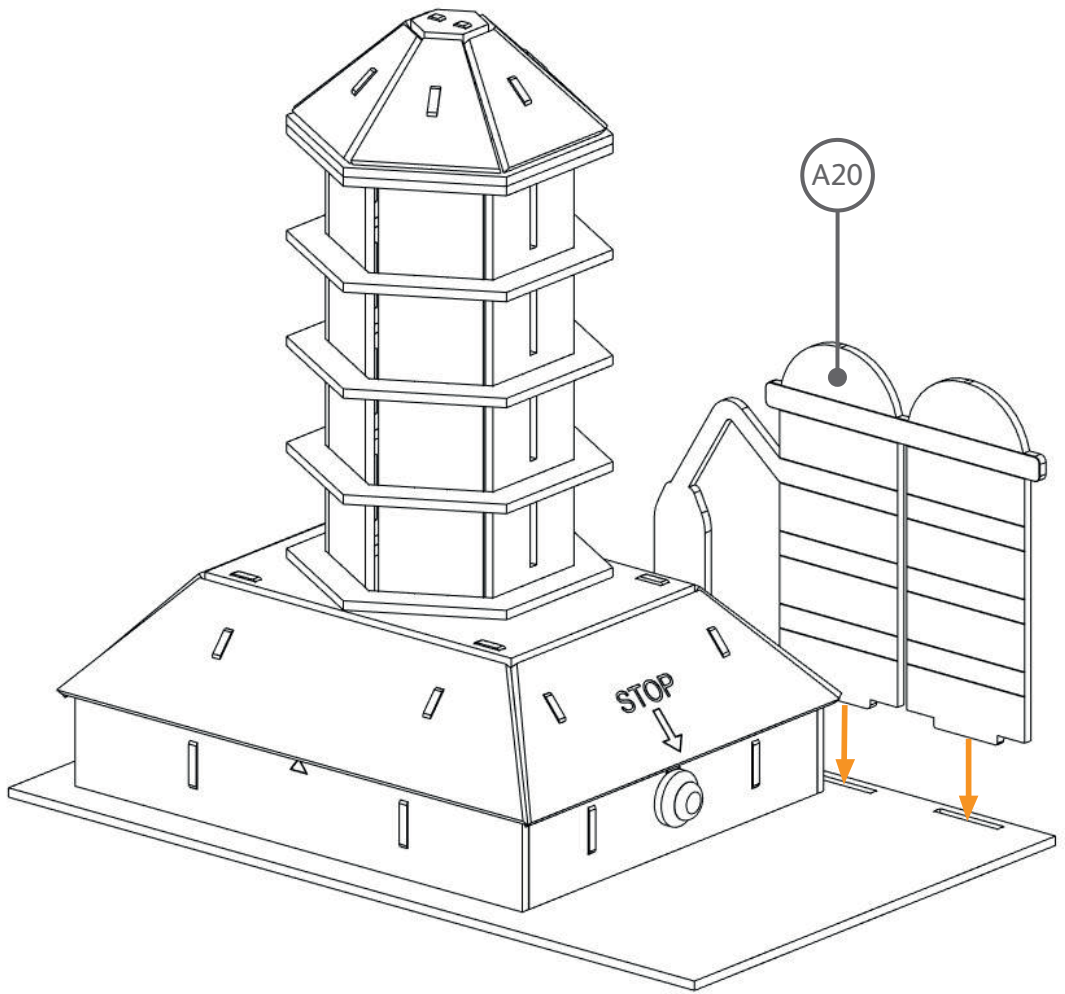
28

1 x A9



29

1 x A20





Powered by
Rewise

Romania