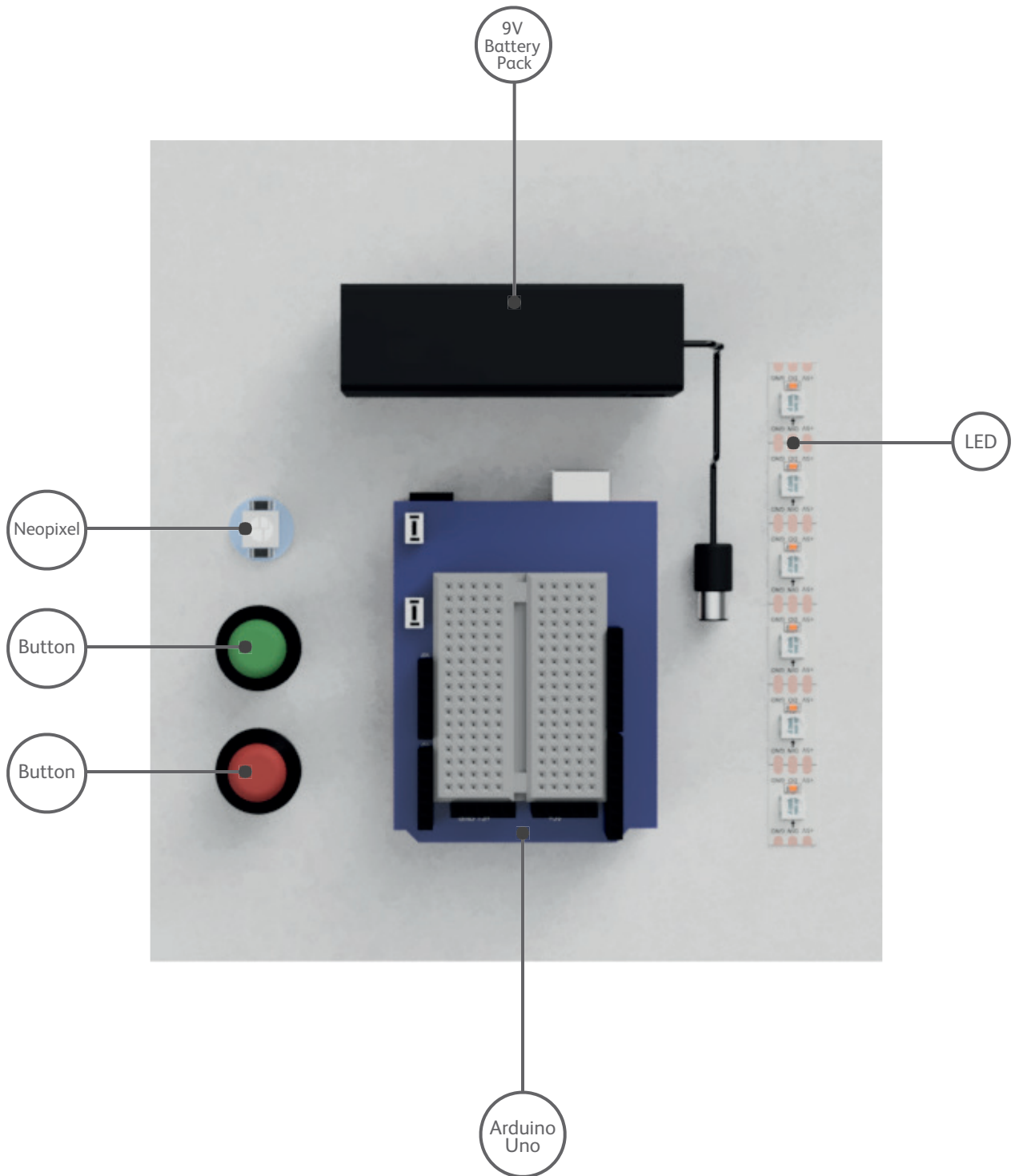
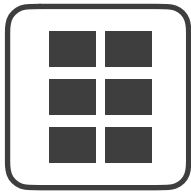


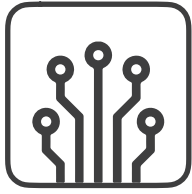
GFG Foundation Student Programme

Wiring Instructions

Romania







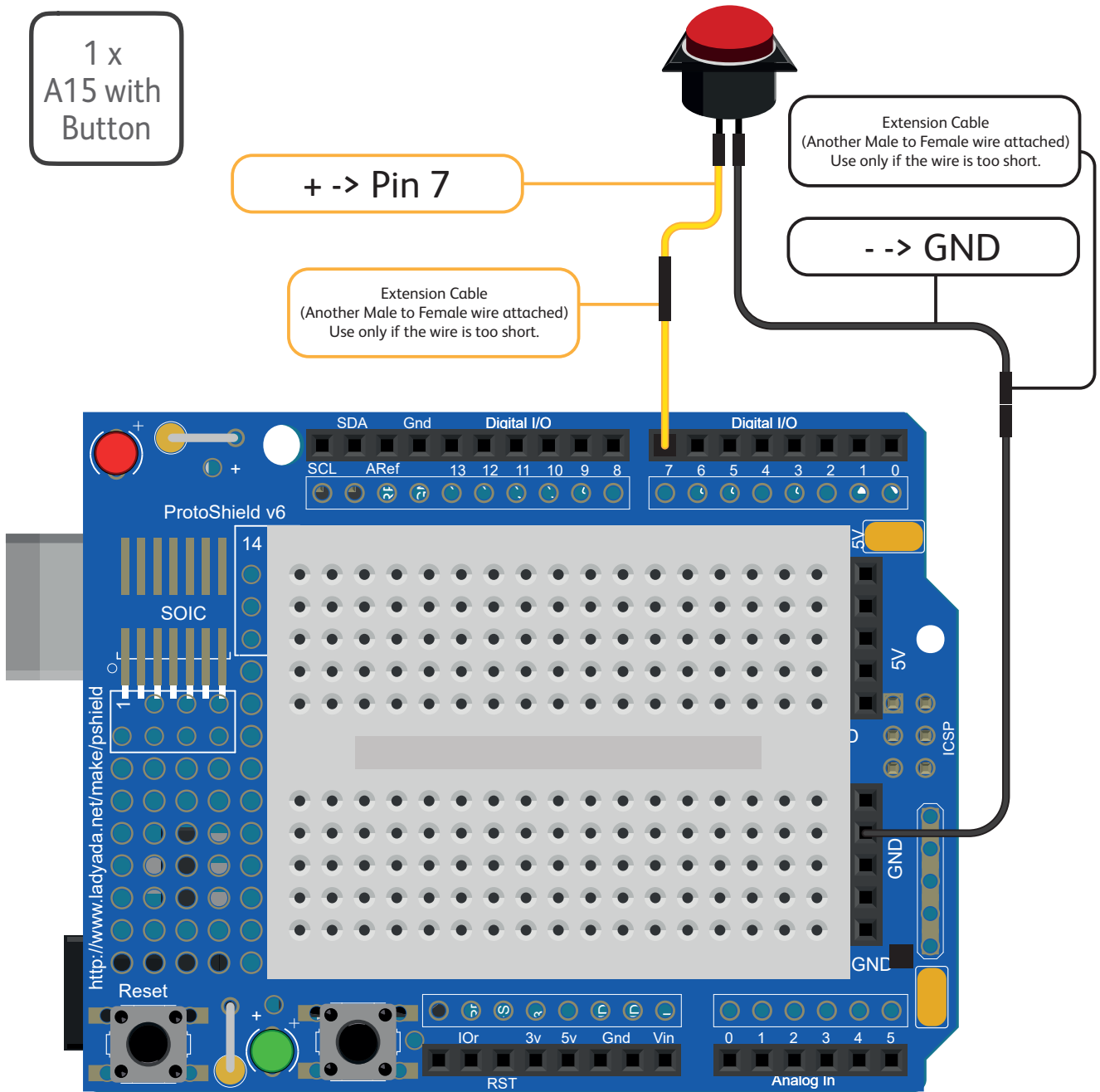
1 x
A15 with
Button

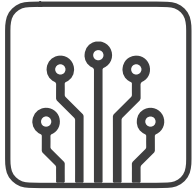
+ -> Pin 7

Extension Cable
(Another Male to Female wire attached)
Use only if the wire is too short.

Extension Cable
(Another Male to Female wire attached)
Use only if the wire is too short.

- -> GND





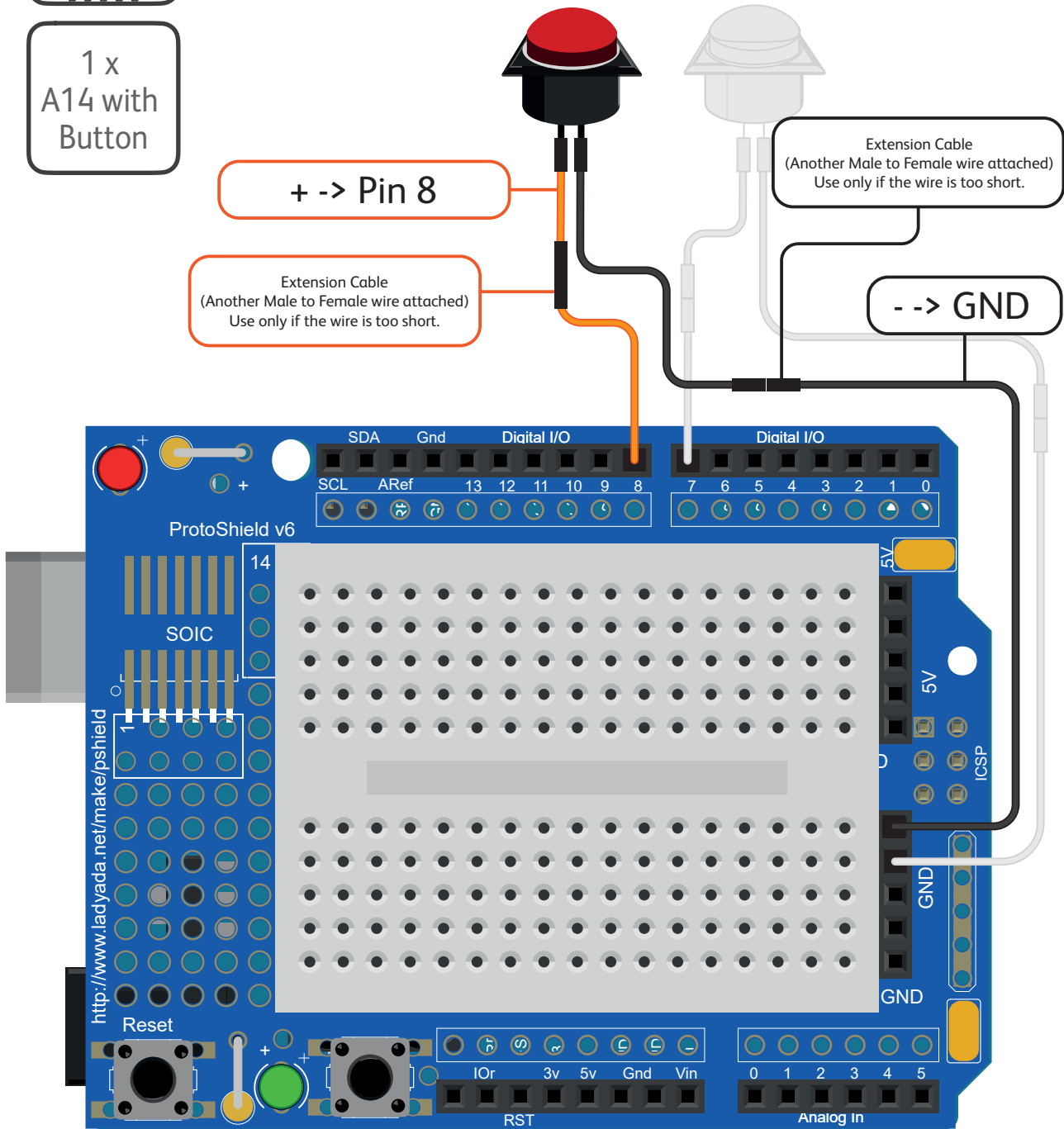
1 x
A14 with
Button

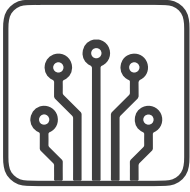
+ -> Pin 8

Extension Cable
(Another Male to Female wire attached)
Use only if the wire is too short.

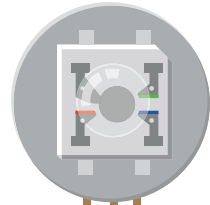
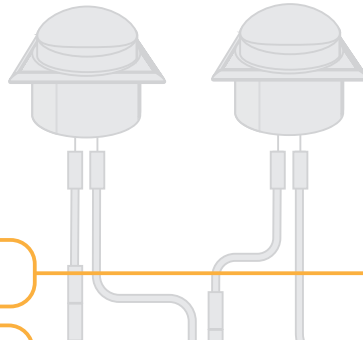
Extension Cable
(Another Male to Female wire attached)
Use only if the wire is too short.

--> GND





1 x
A15

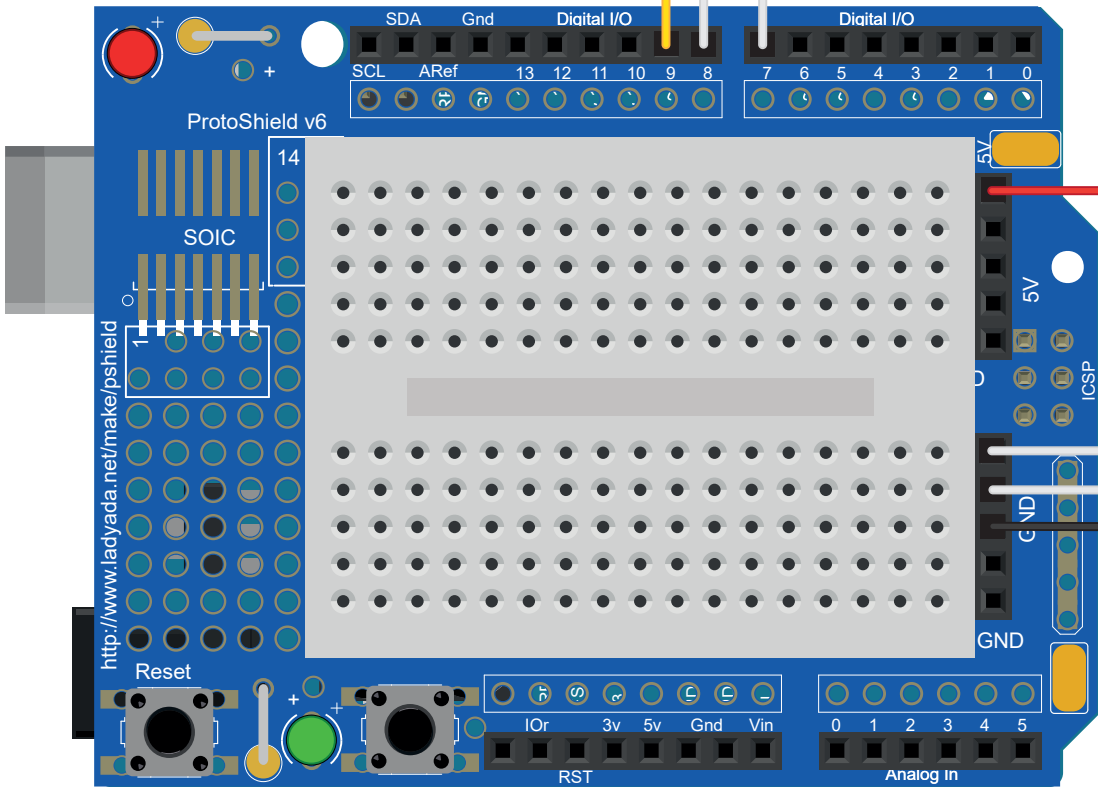


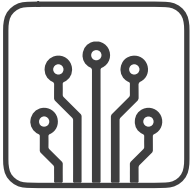
DIN -> Pin 9

Extension Cable
(Another Male to Female wire attached)
Use only if the wire is too short.

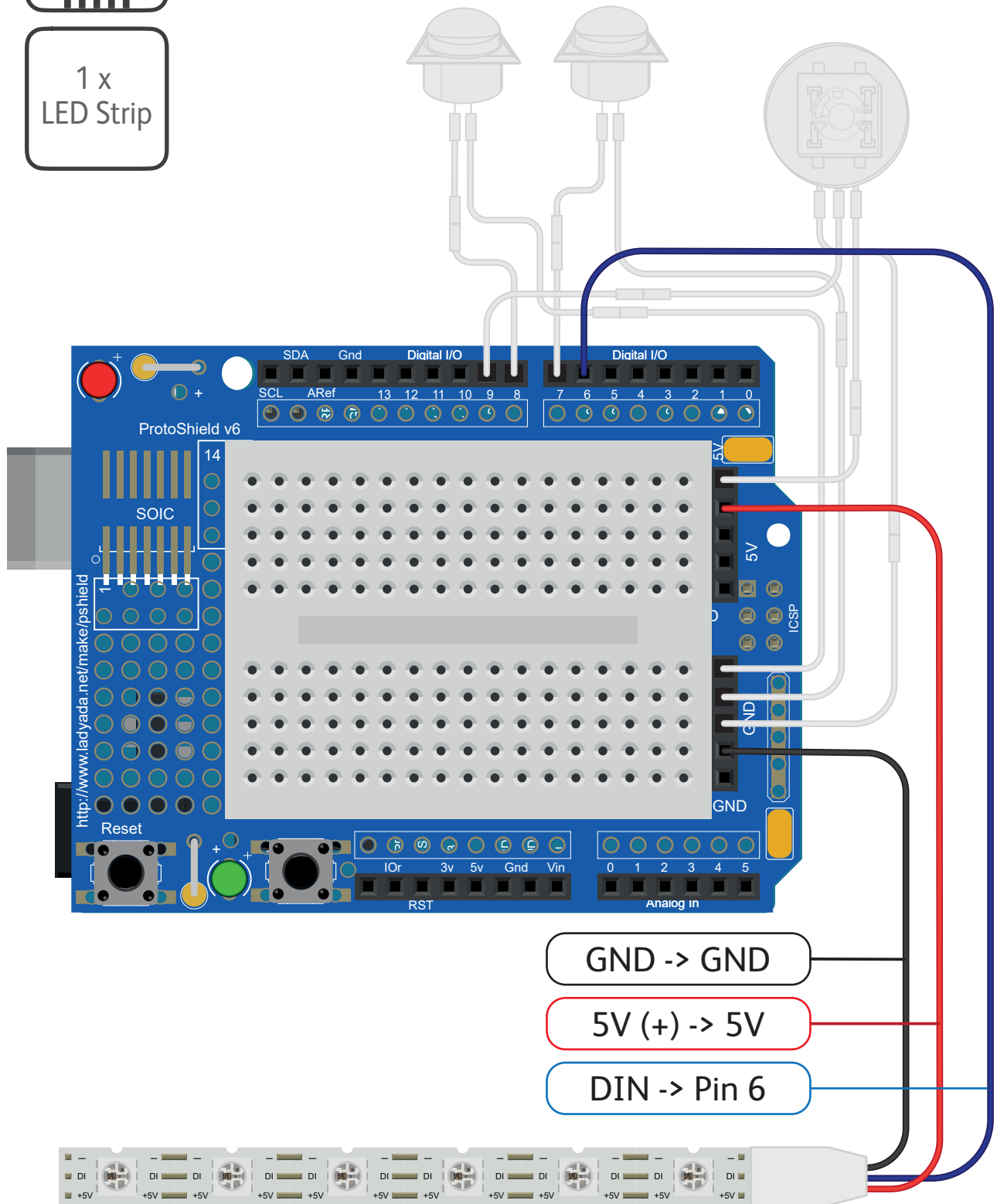
5V -> 5V

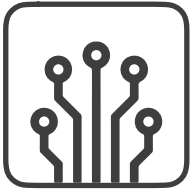
GND -> GND



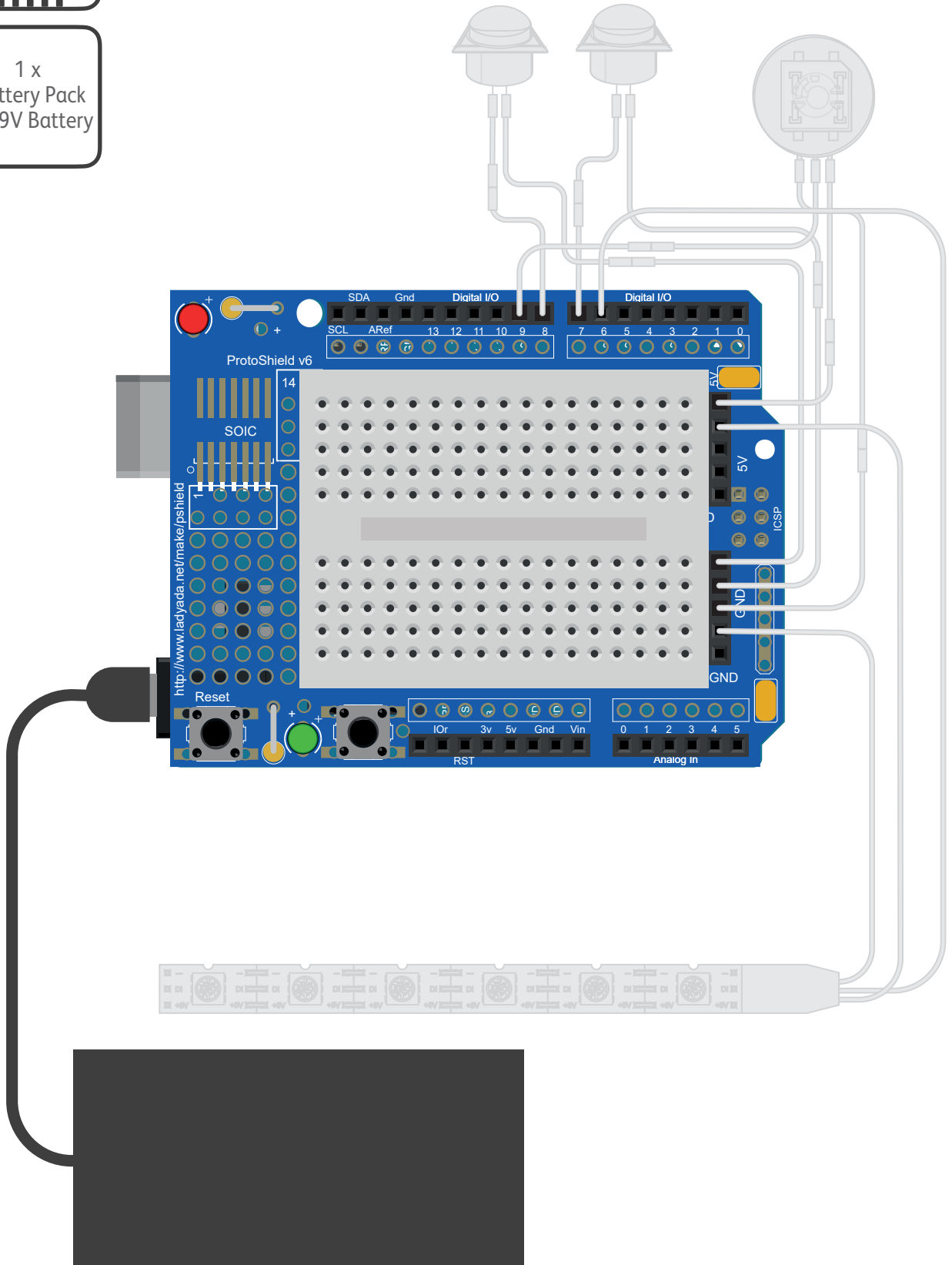


1 x
LED Strip





1 x
Battery Pack
1 x 9V Battery





Powered by
Rewise

Romania