



**GFG**  
FOUNDATION

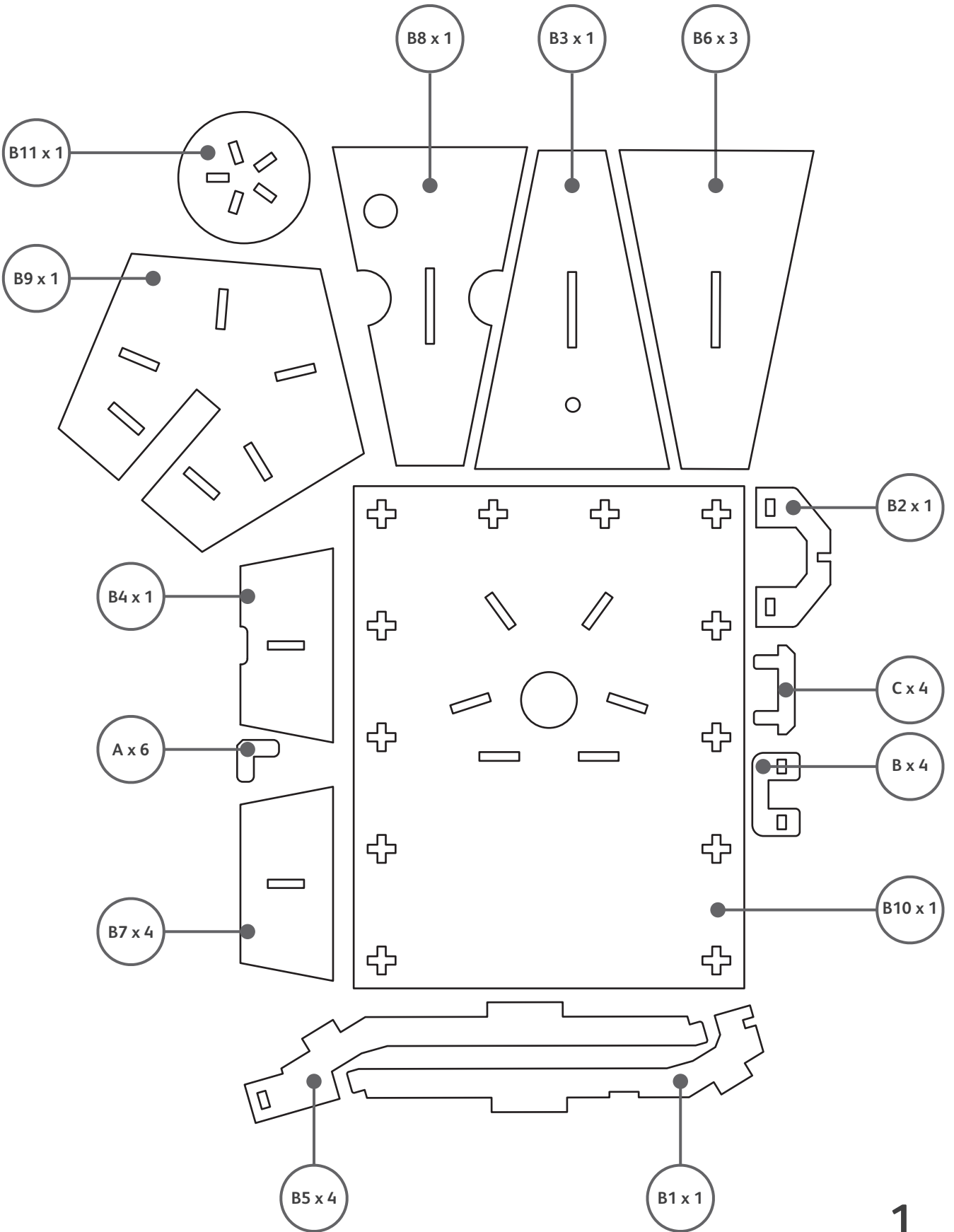
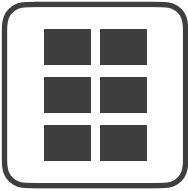
Powered by  
**Rewise**

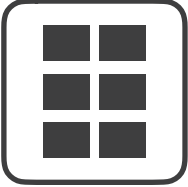
# Fundația GFG Provocarea STEAM

Furnalul – Instrucțiuni de asamblare  
**România, 2024**



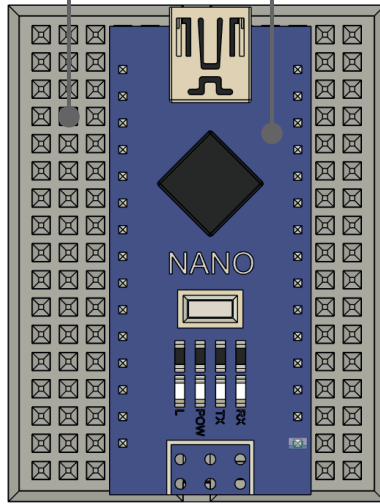






Breadboard  
x 1

Arduino  
Nano  
x 1



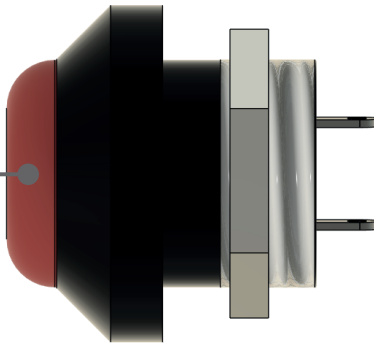
Banda  
LED  
x 1



LED rosu  
x 1

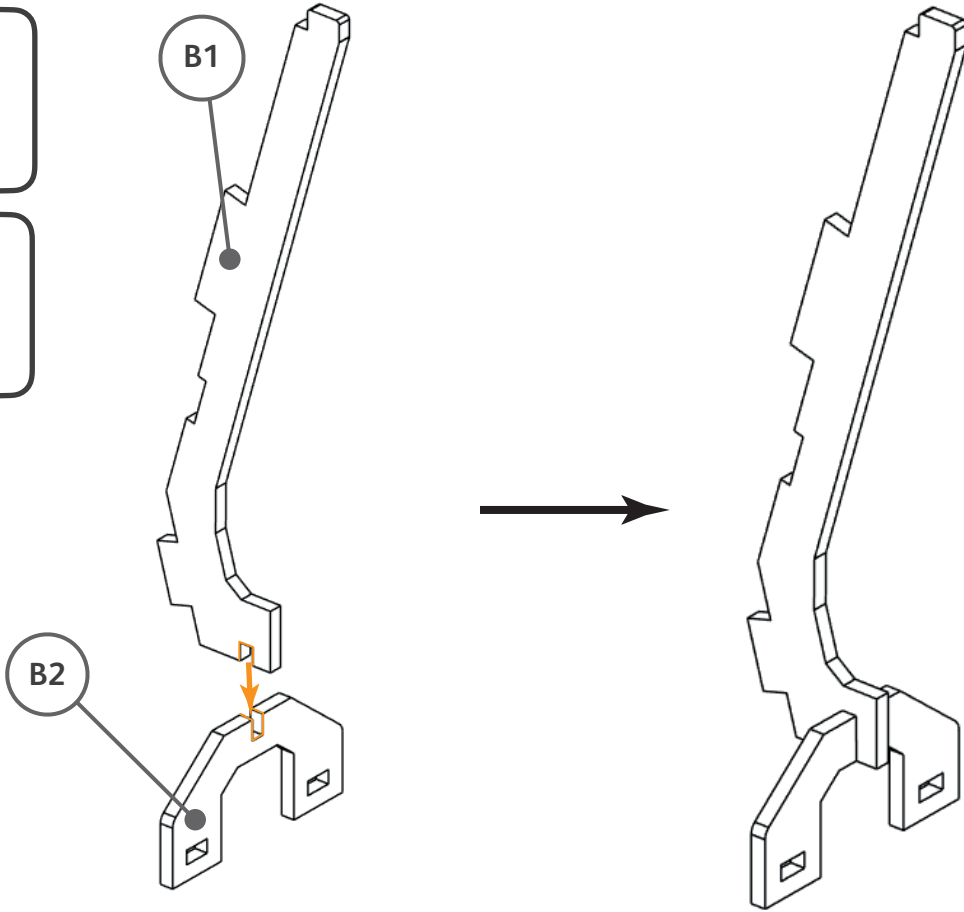


Buton  
x 1



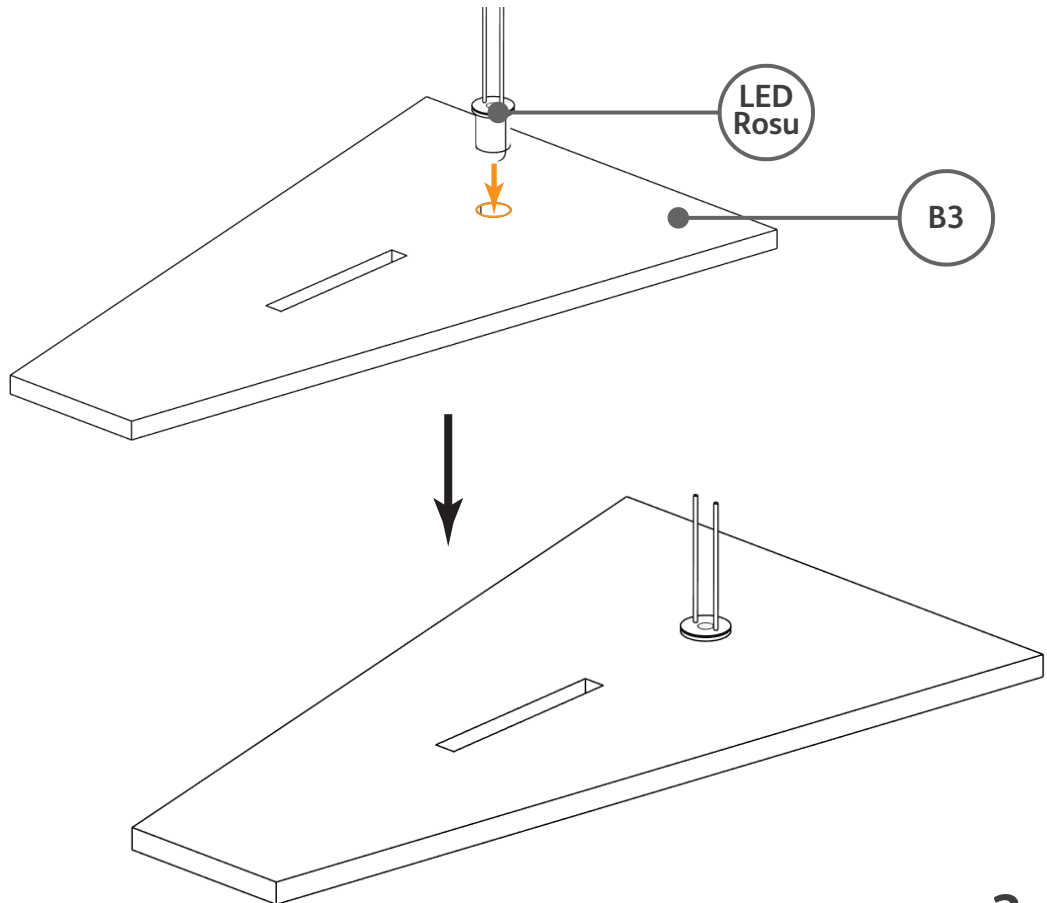
1

1 x B1  
1 x B2



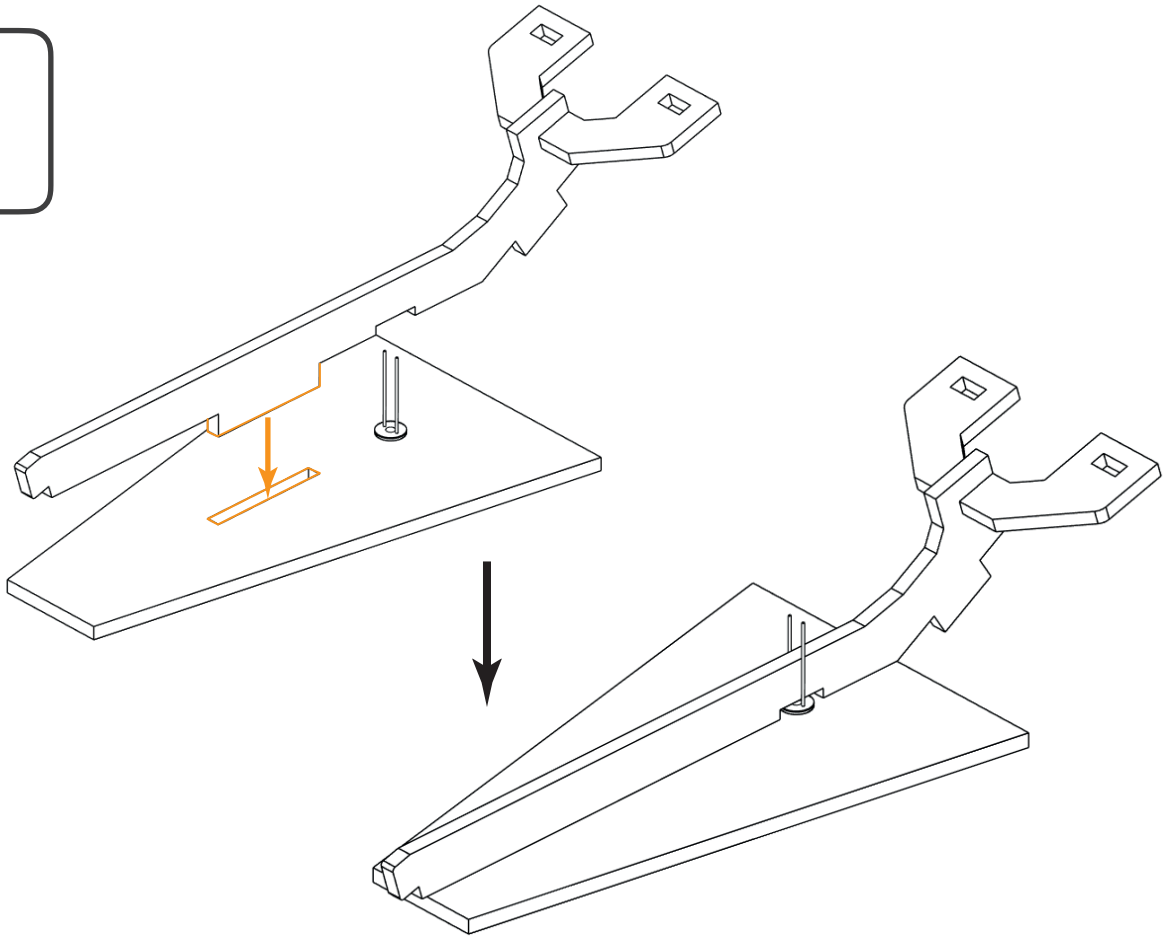
2

1 x LED  
Rosu  
1 x B3



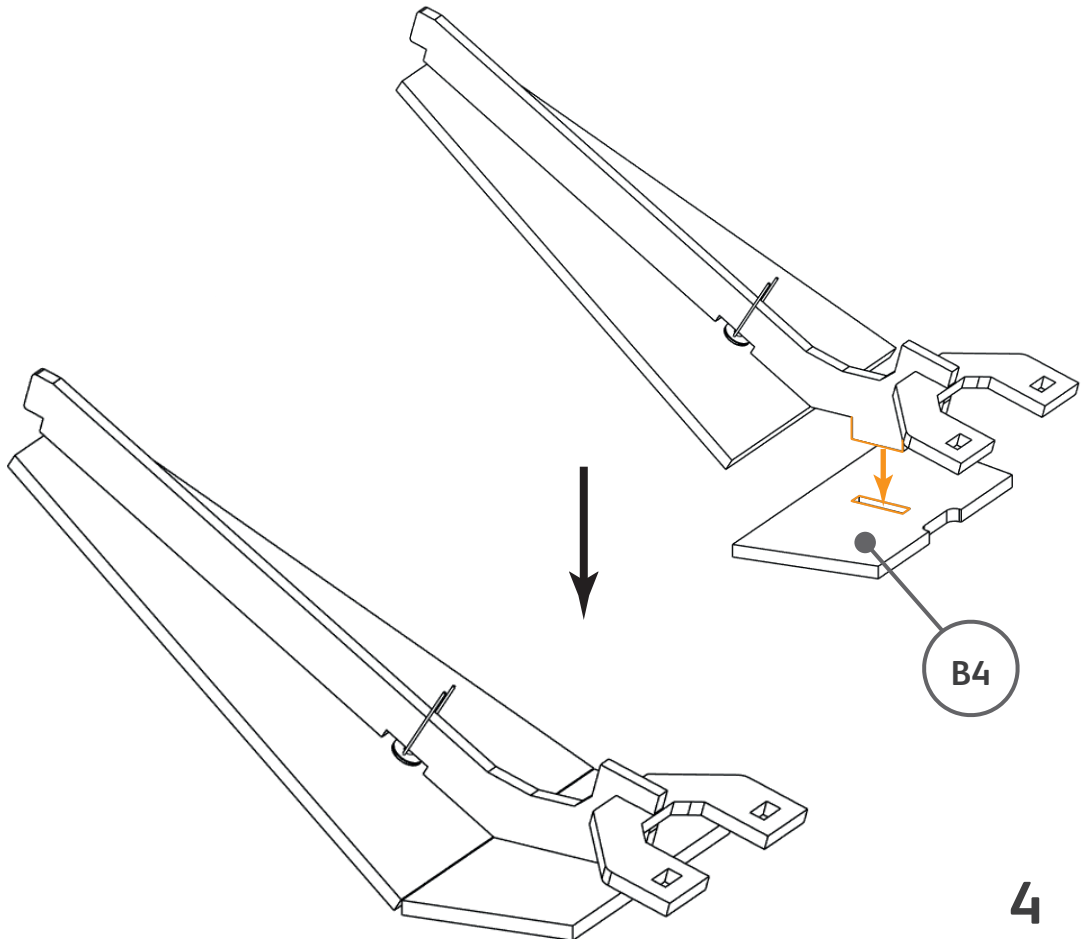
3

3



4

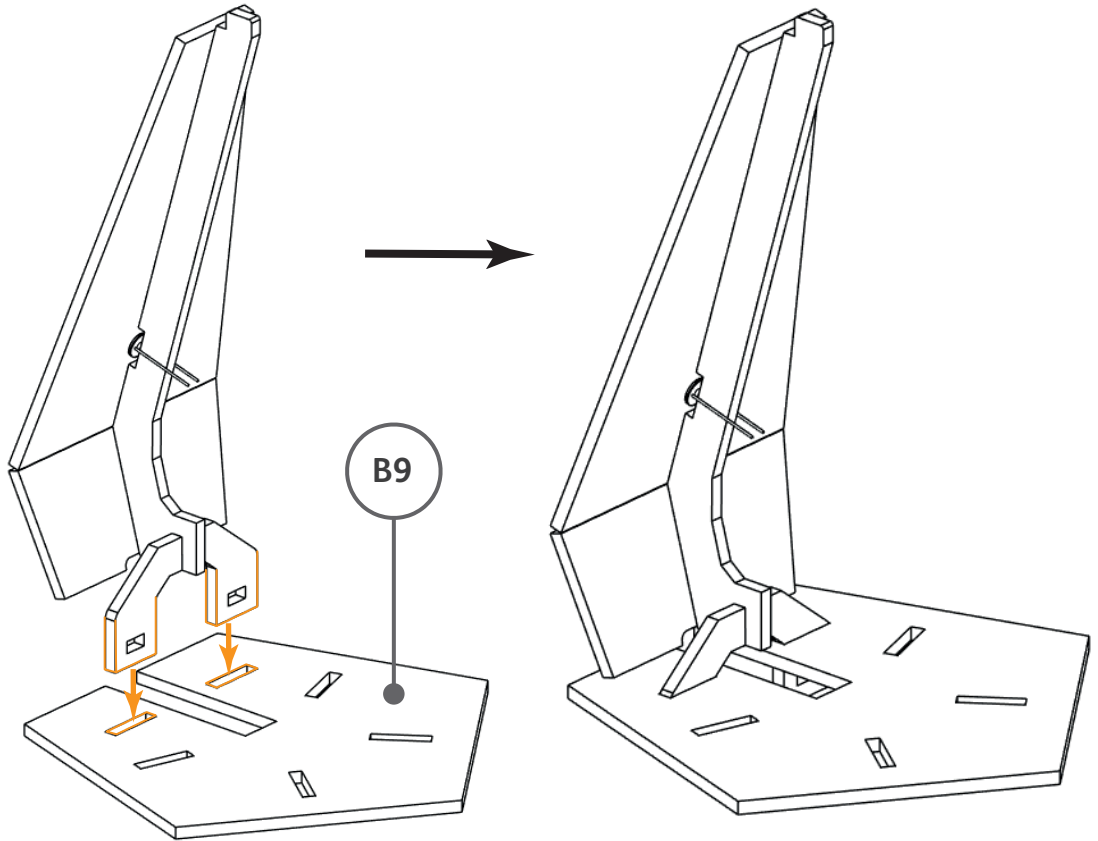
1 x B4



4

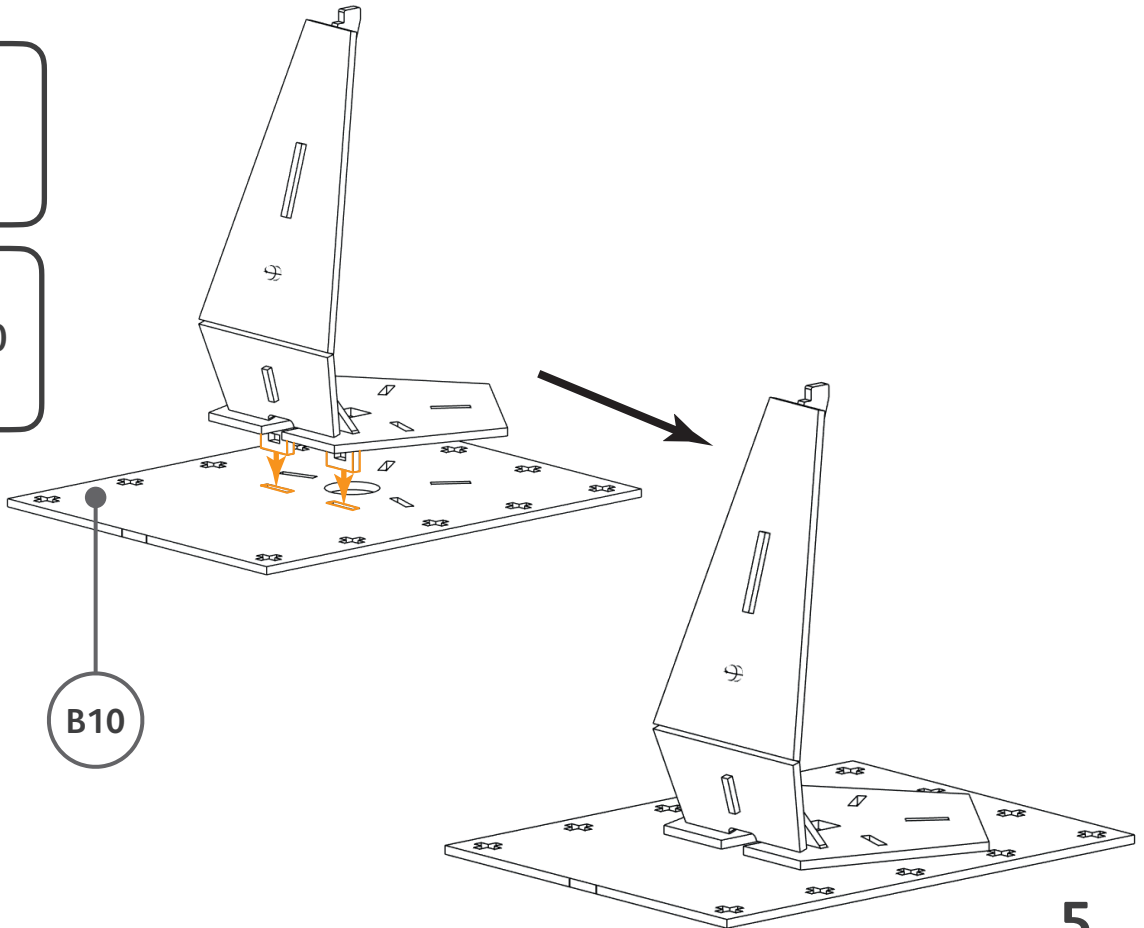
5

1 x B9



6

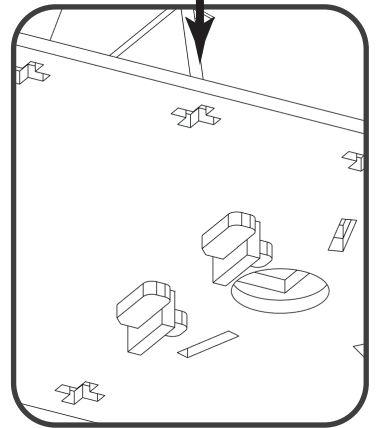
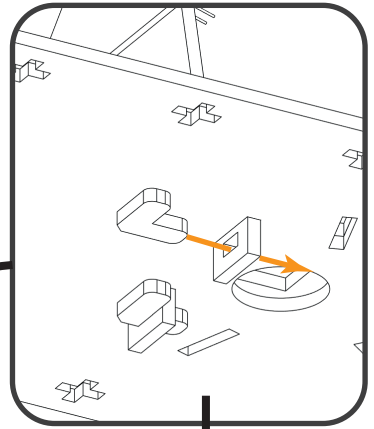
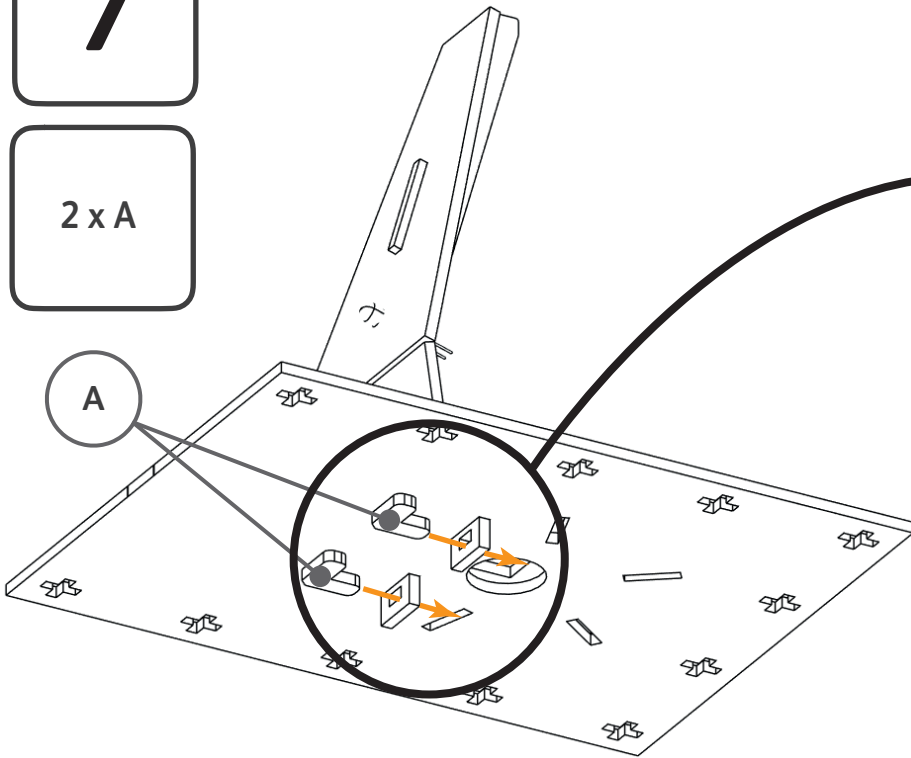
1 x B10



7

2 x A

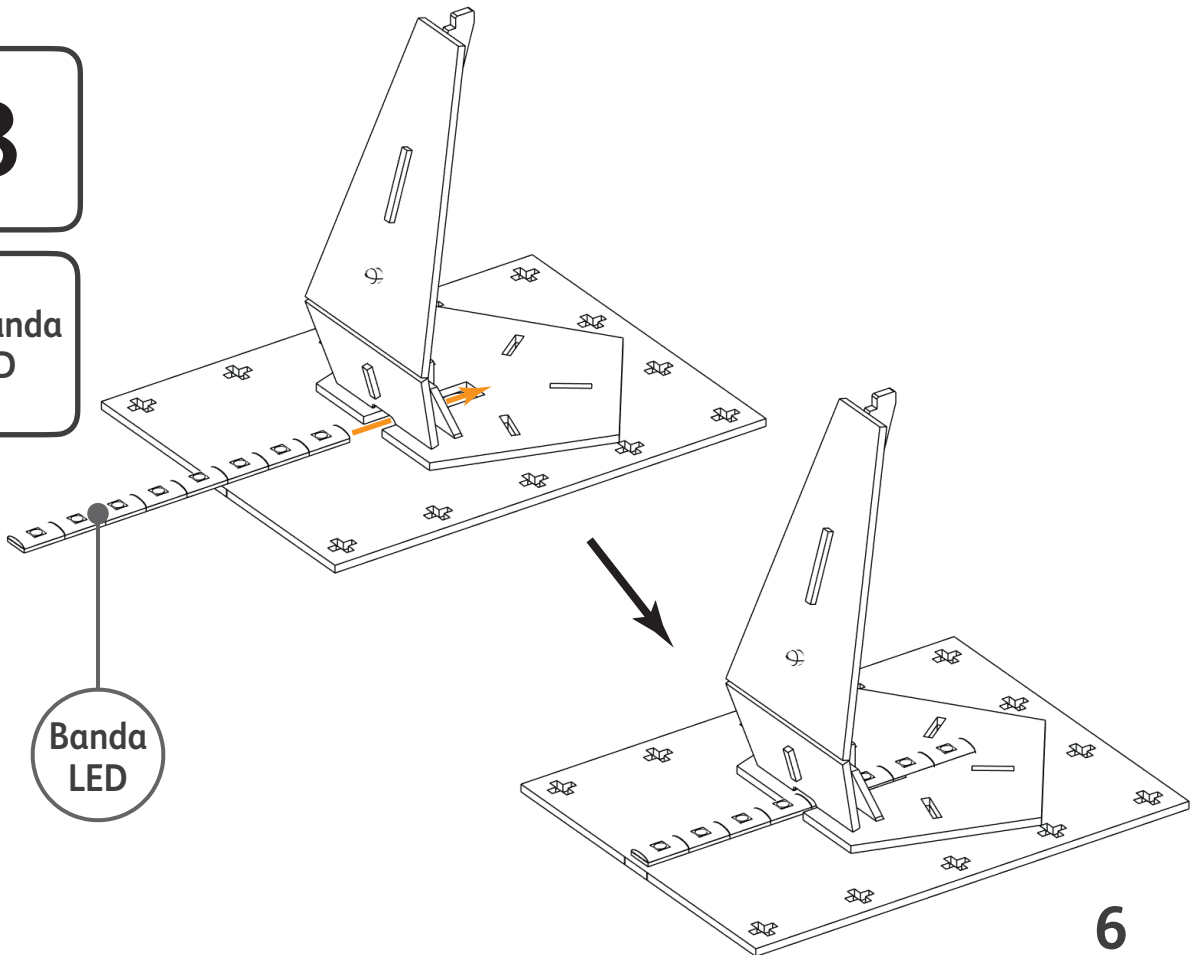
A



8

1 x Banda LED

Banda LED



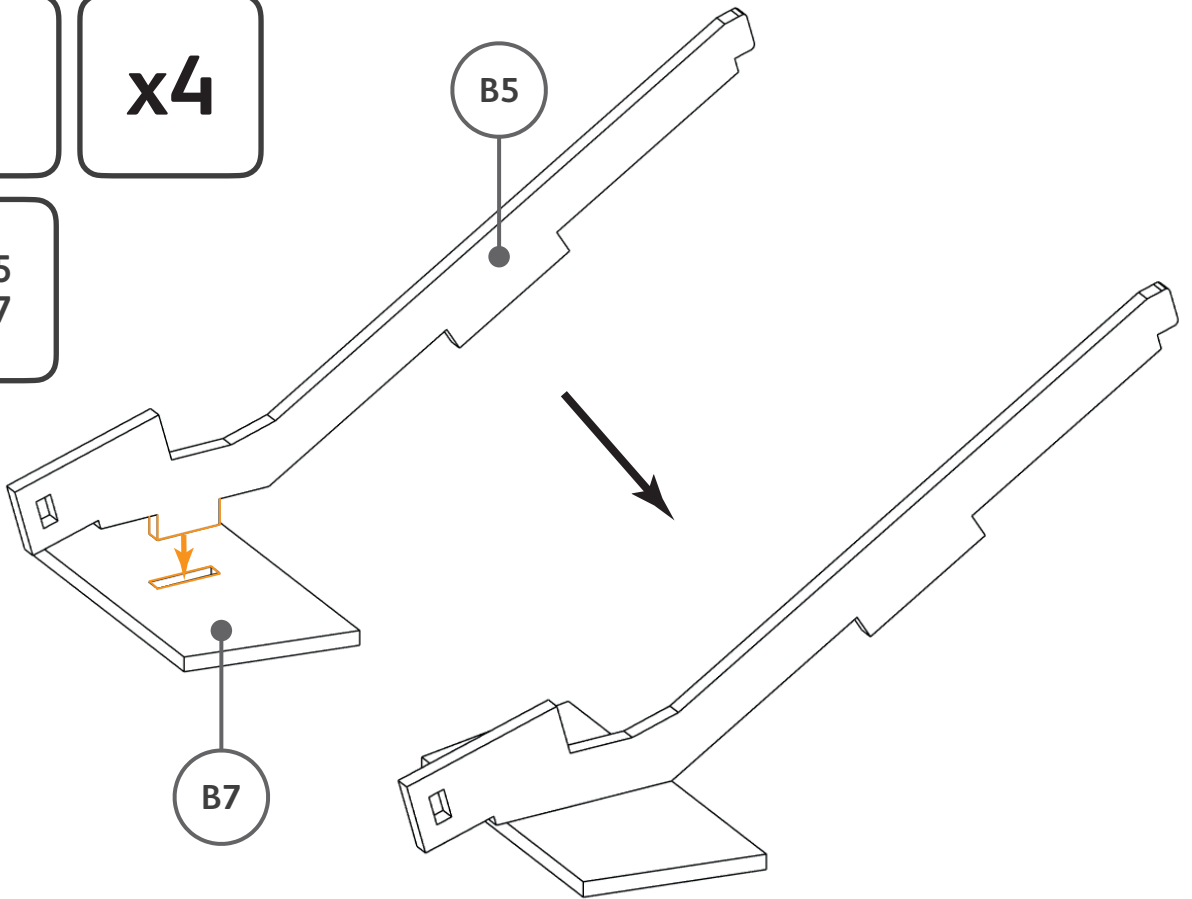
6



9

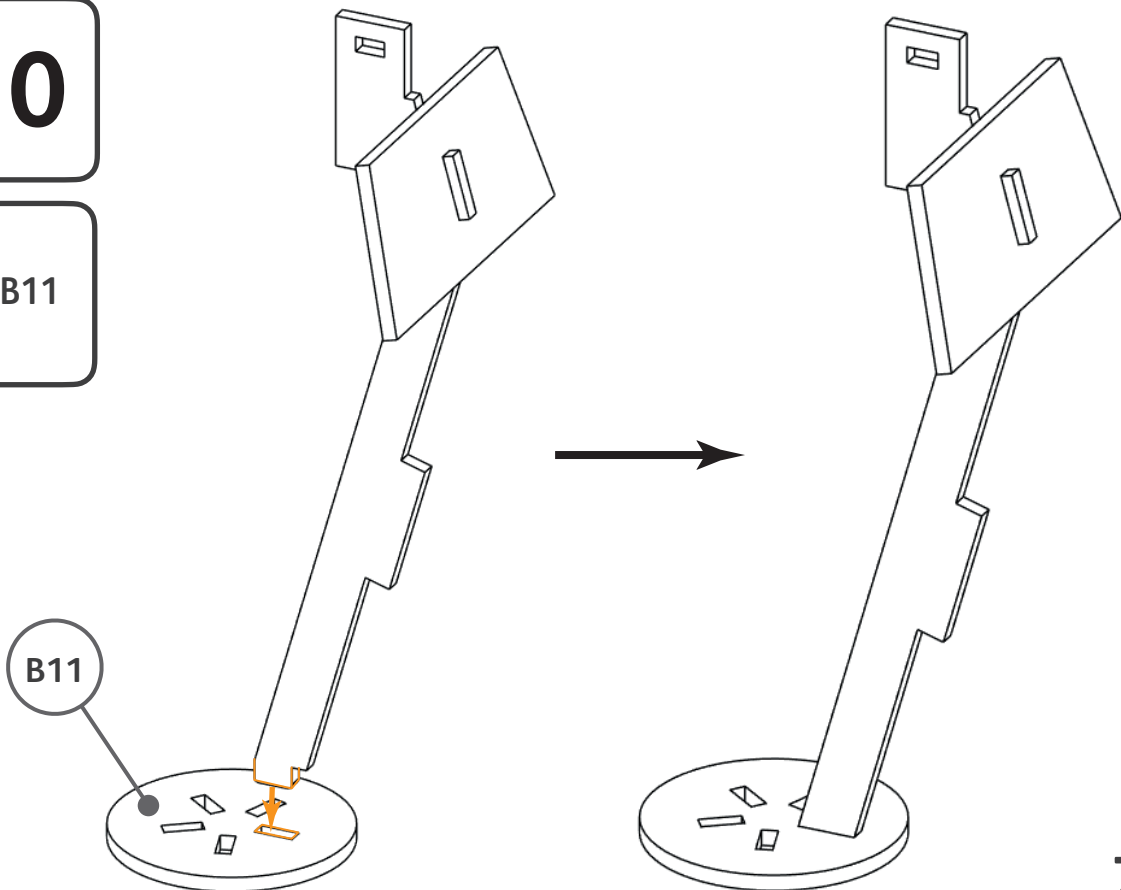
x4

4 x B5  
4 x B7

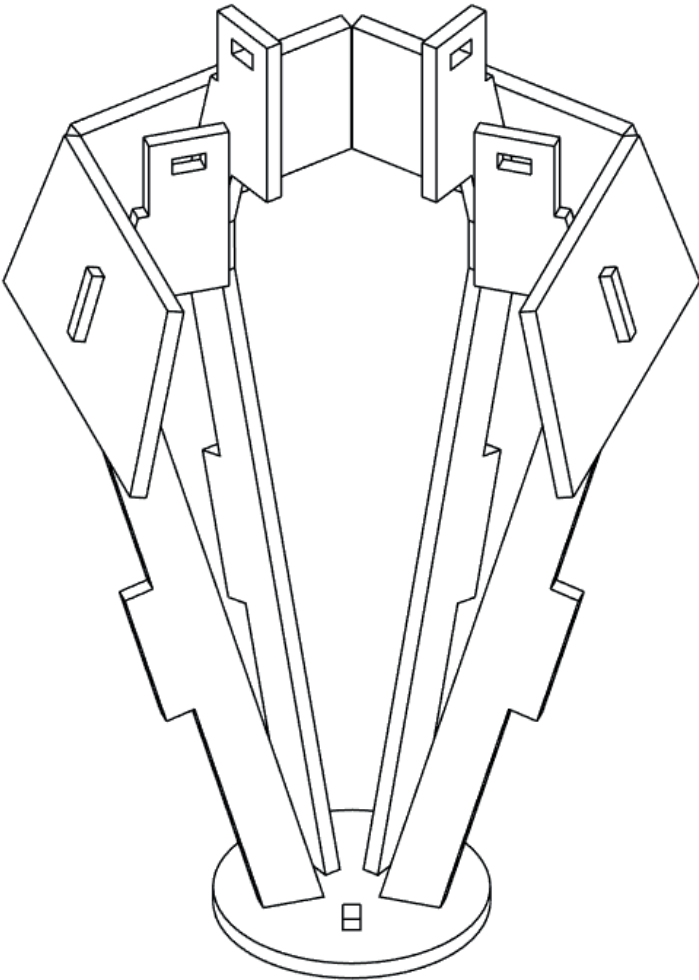
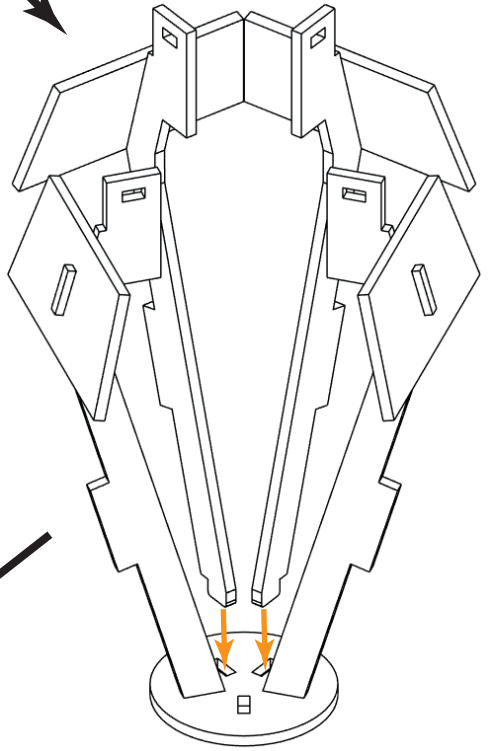
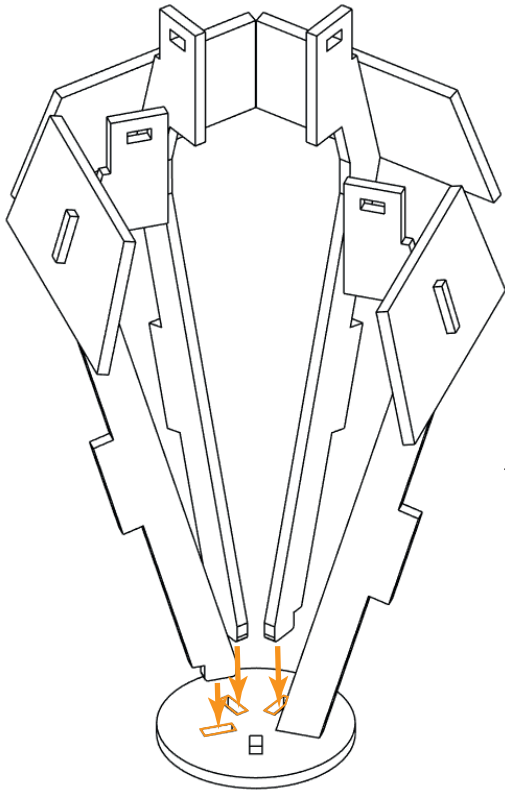


10

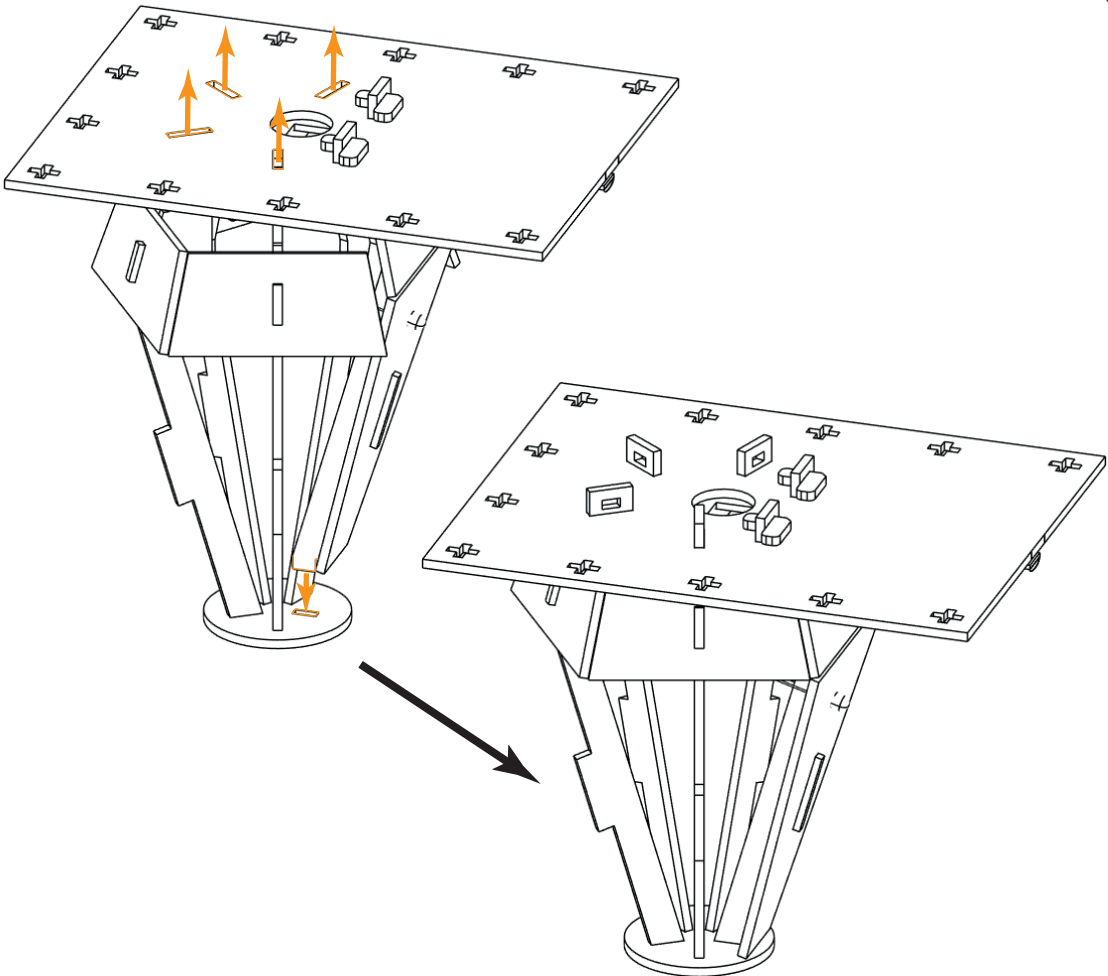
1 x B11



11

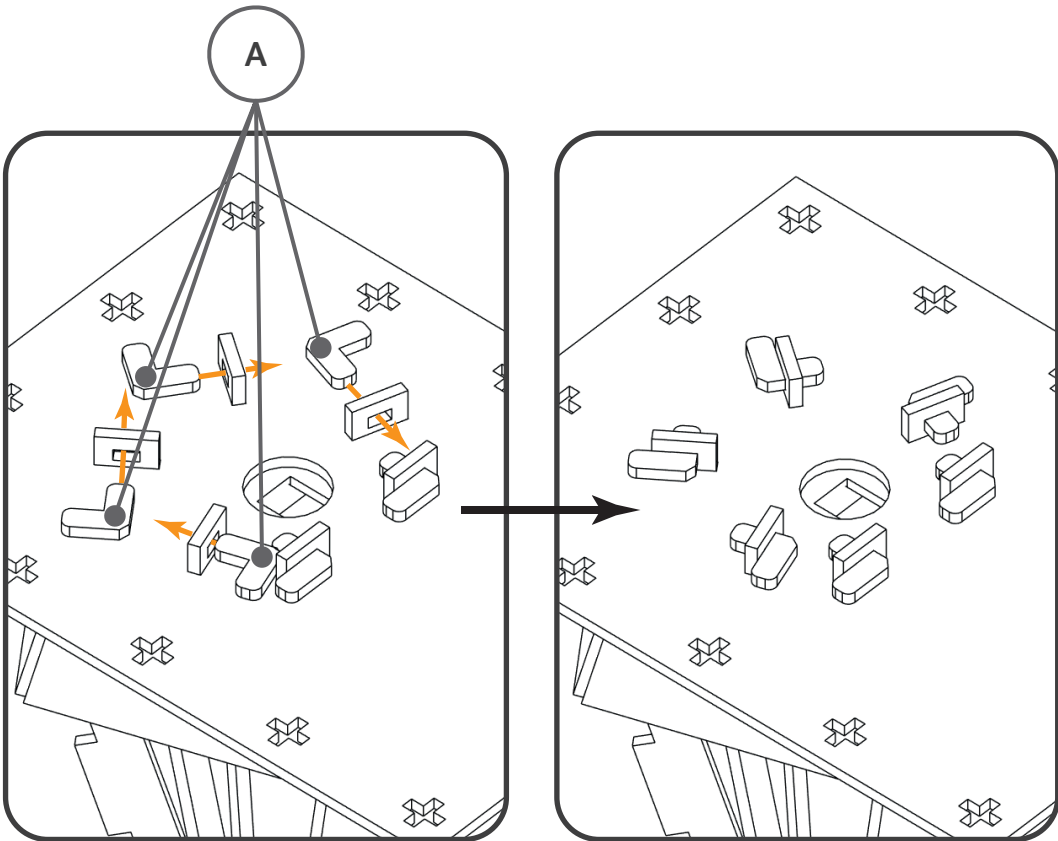


12



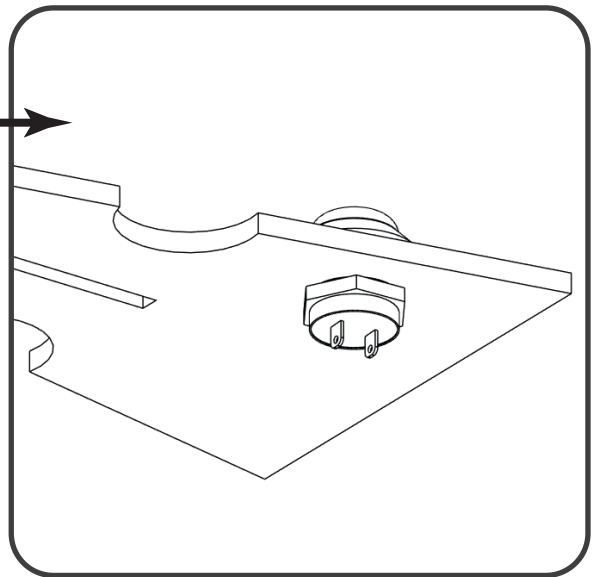
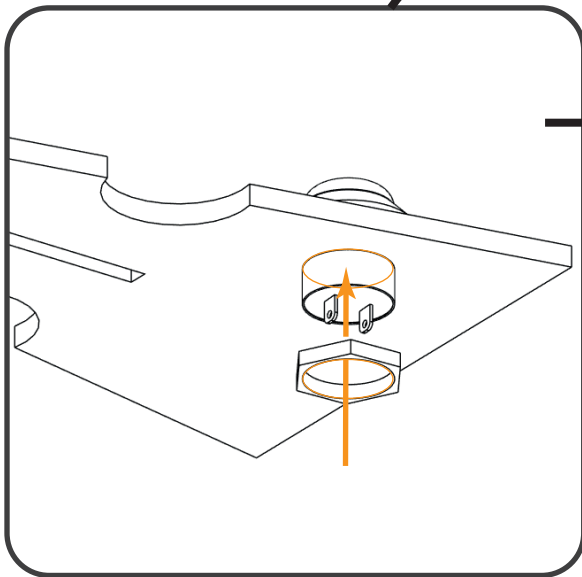
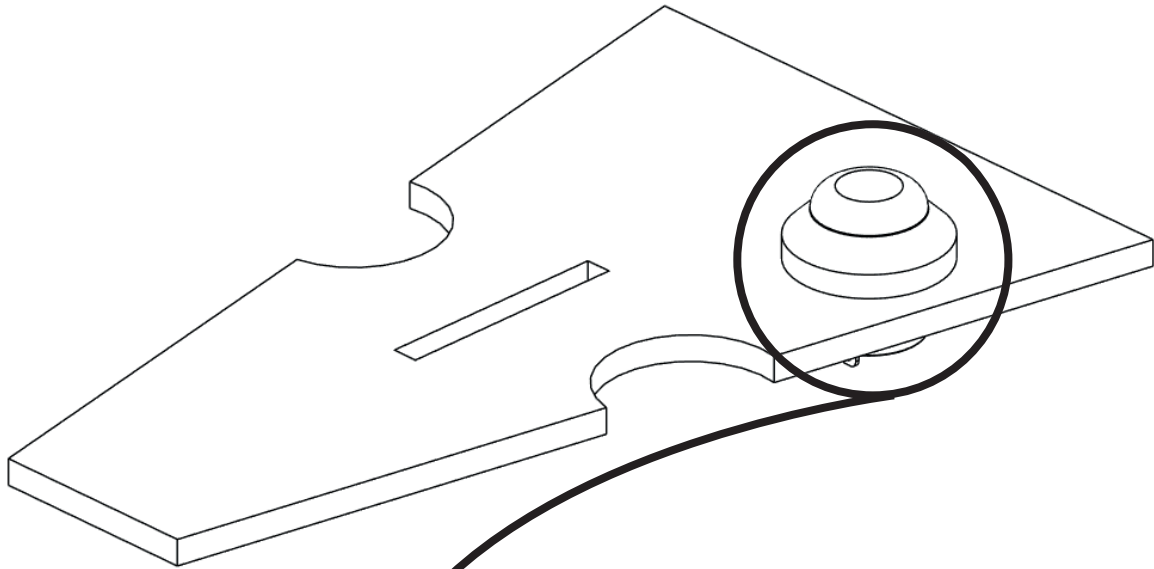
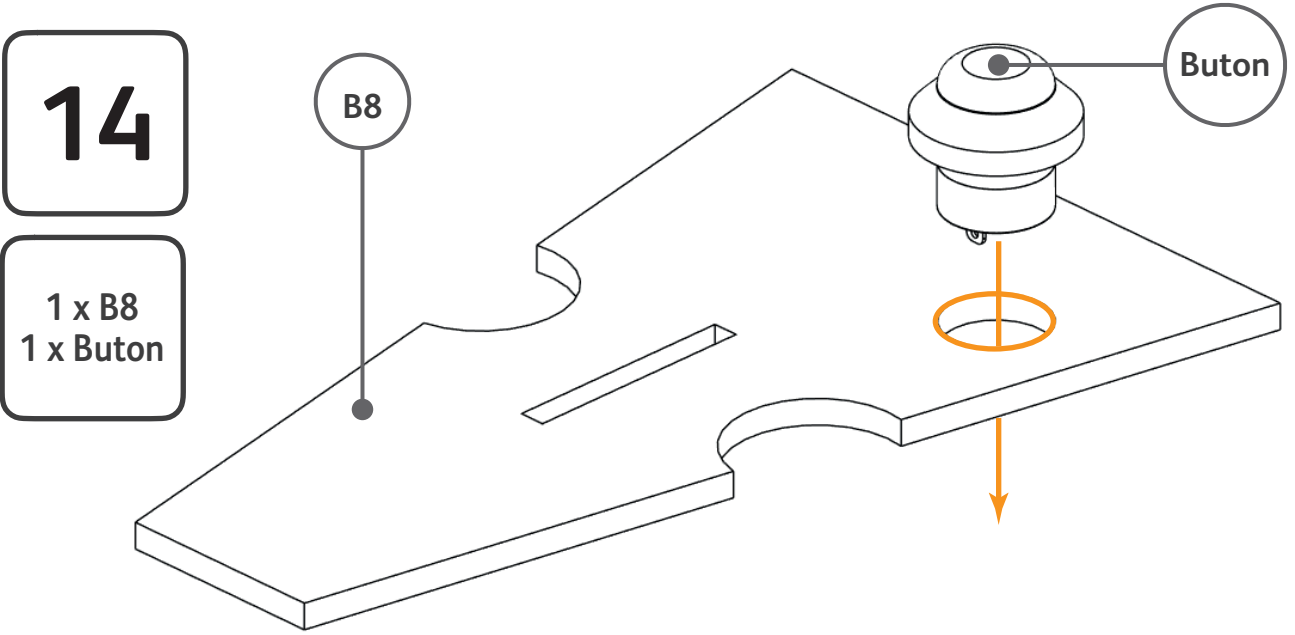
13

4 x A

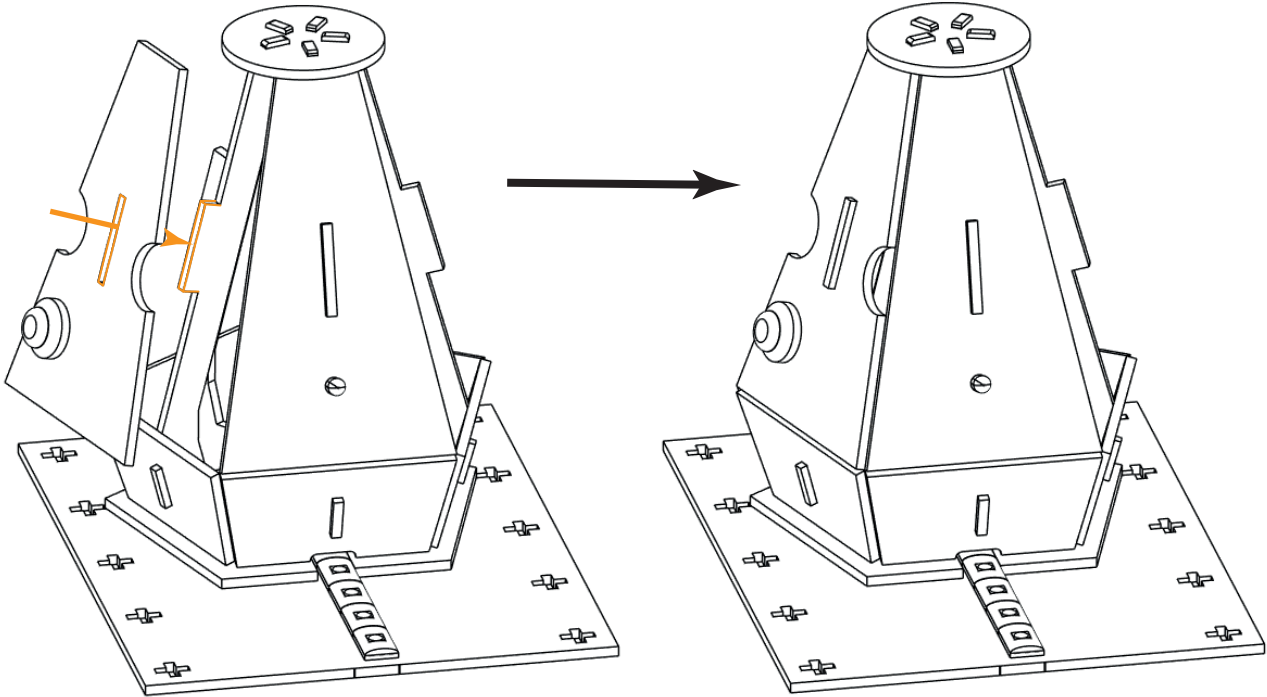


14

1 x B8  
1 x Buton

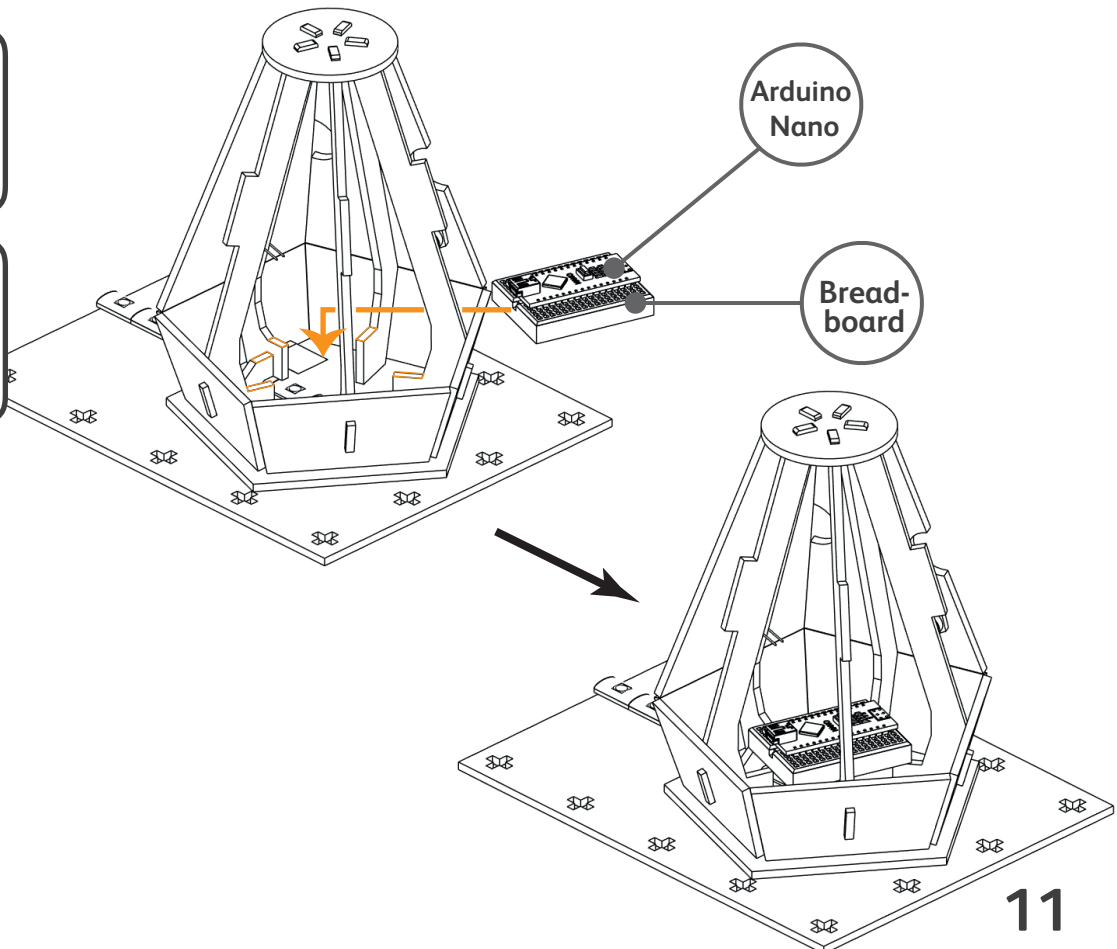


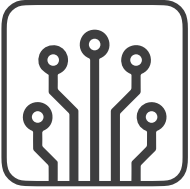
15



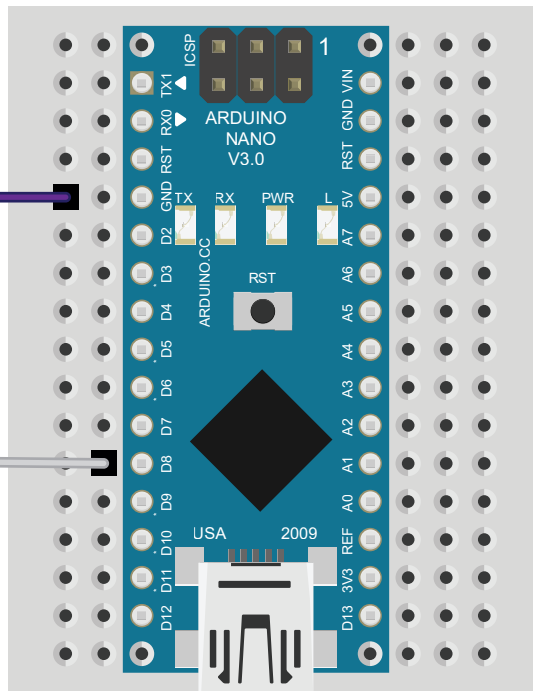
16

1 x Arduino Nano  
1 x Breadboard

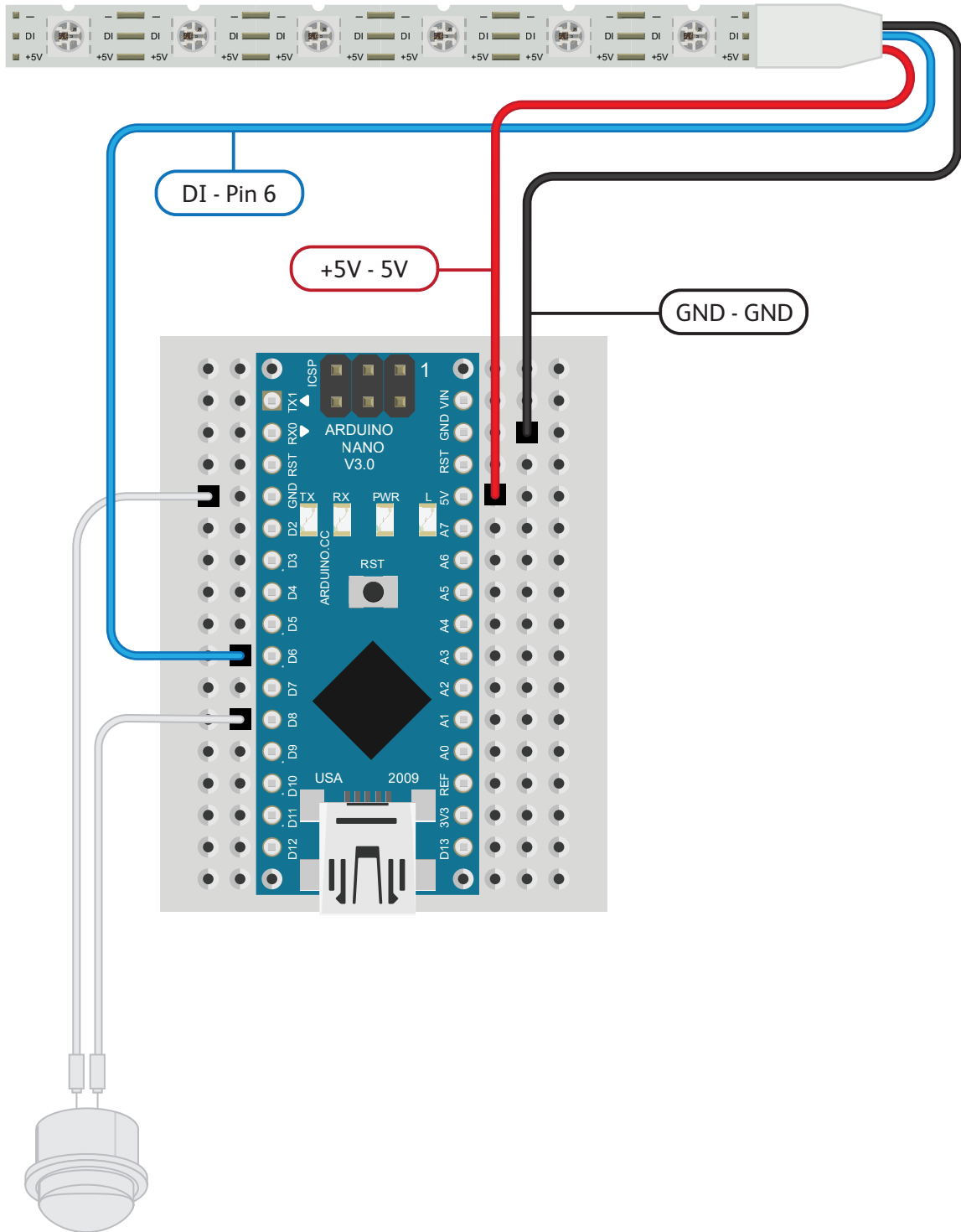
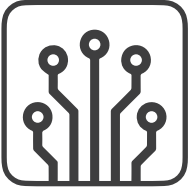


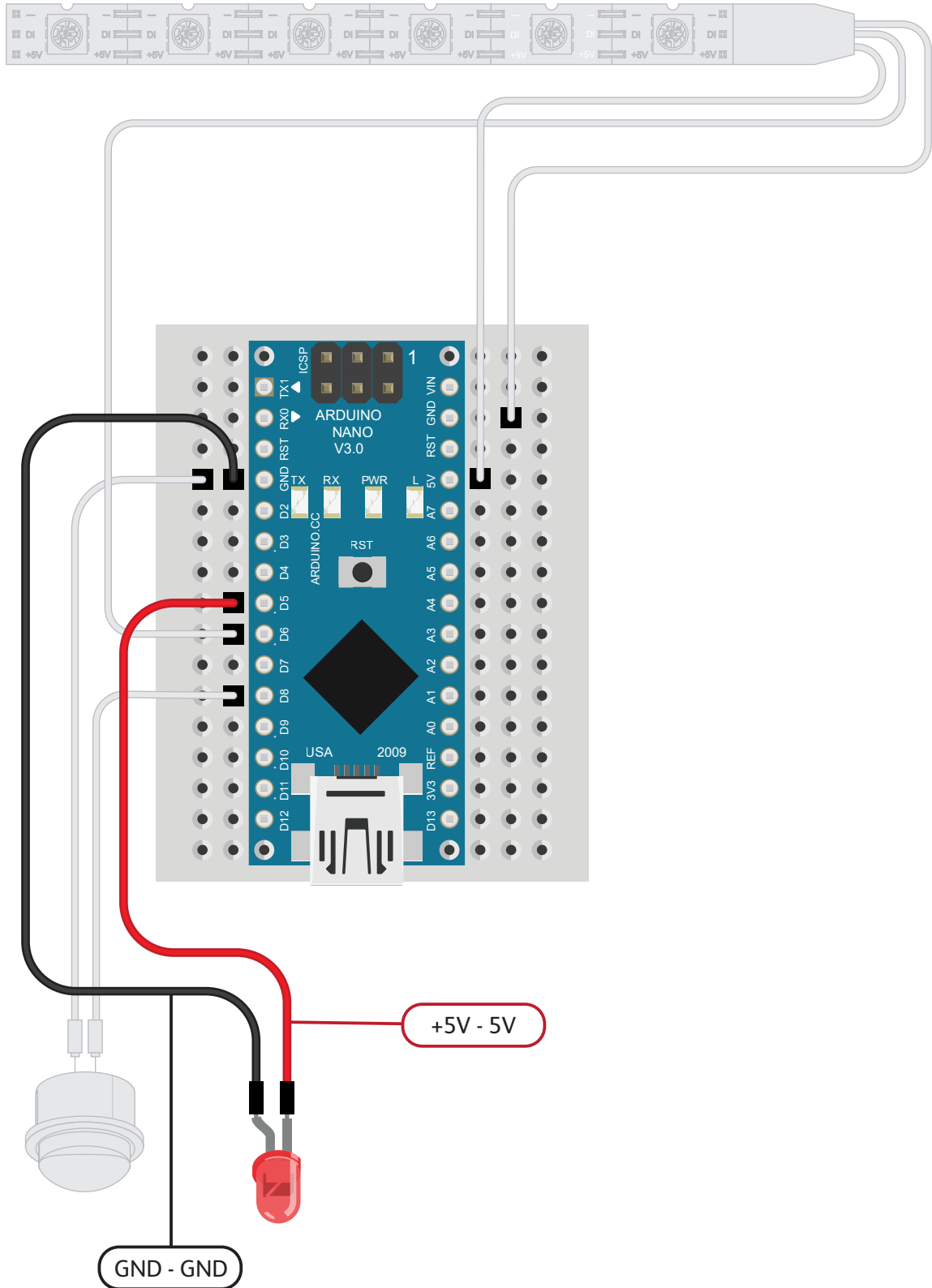
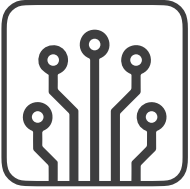


Negativ - GND

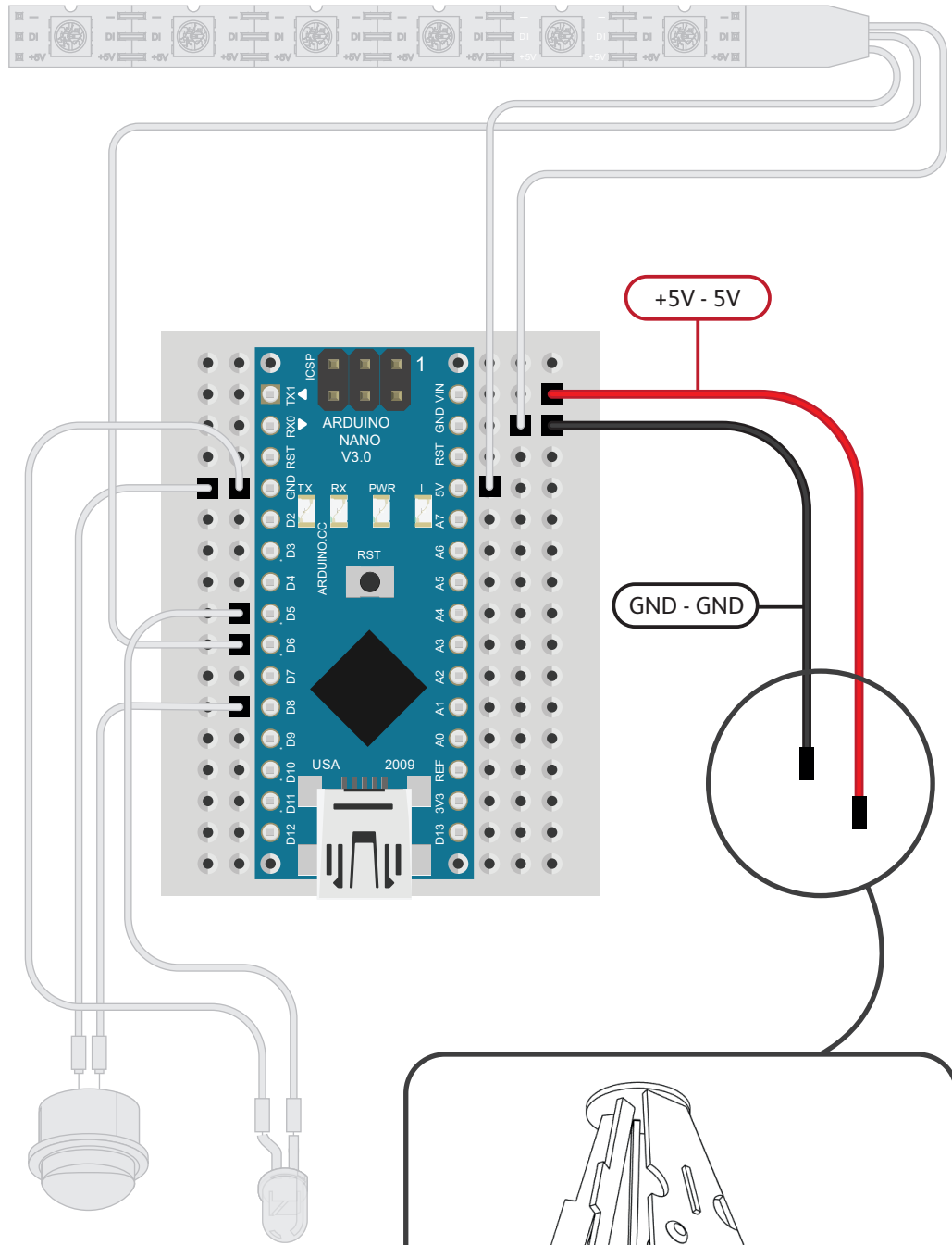
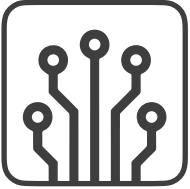


Pozitiv - Pin 8





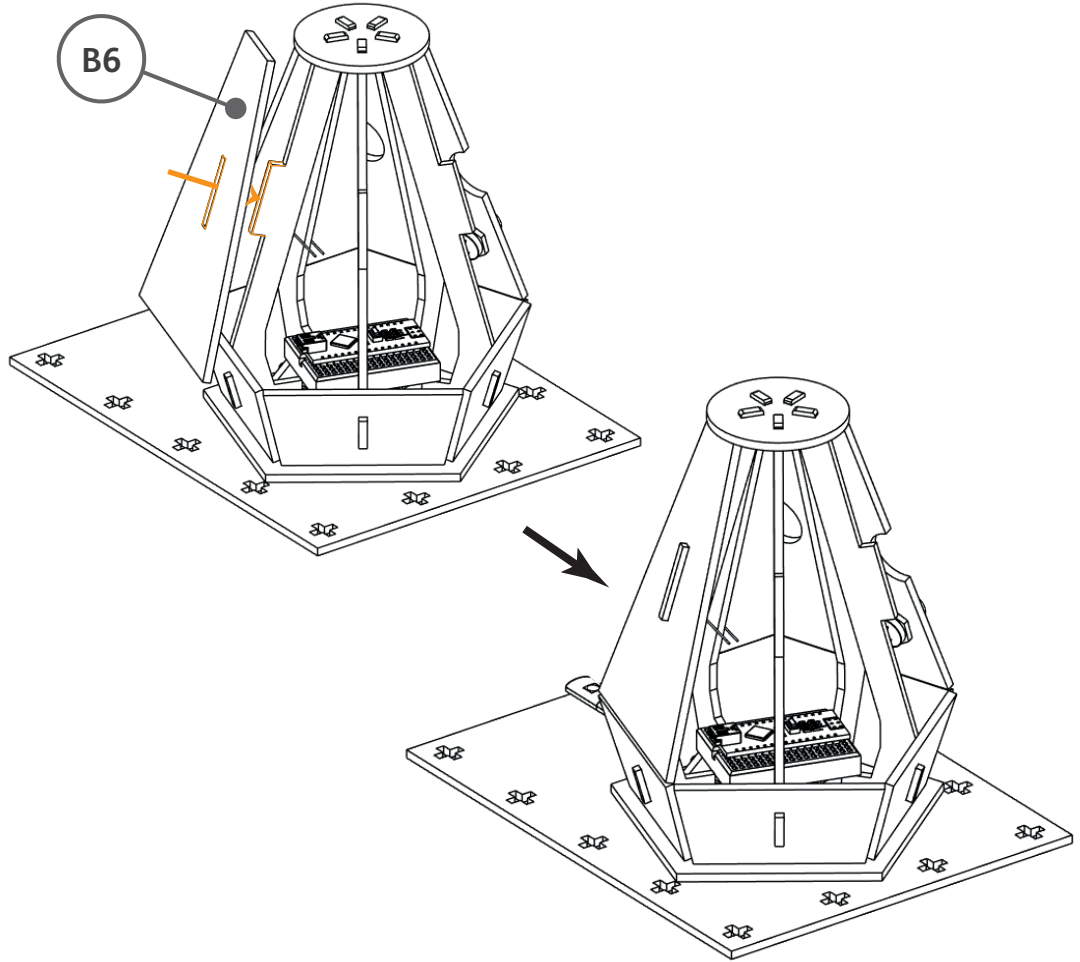




Conectare la Uzina de distribuie a energiei

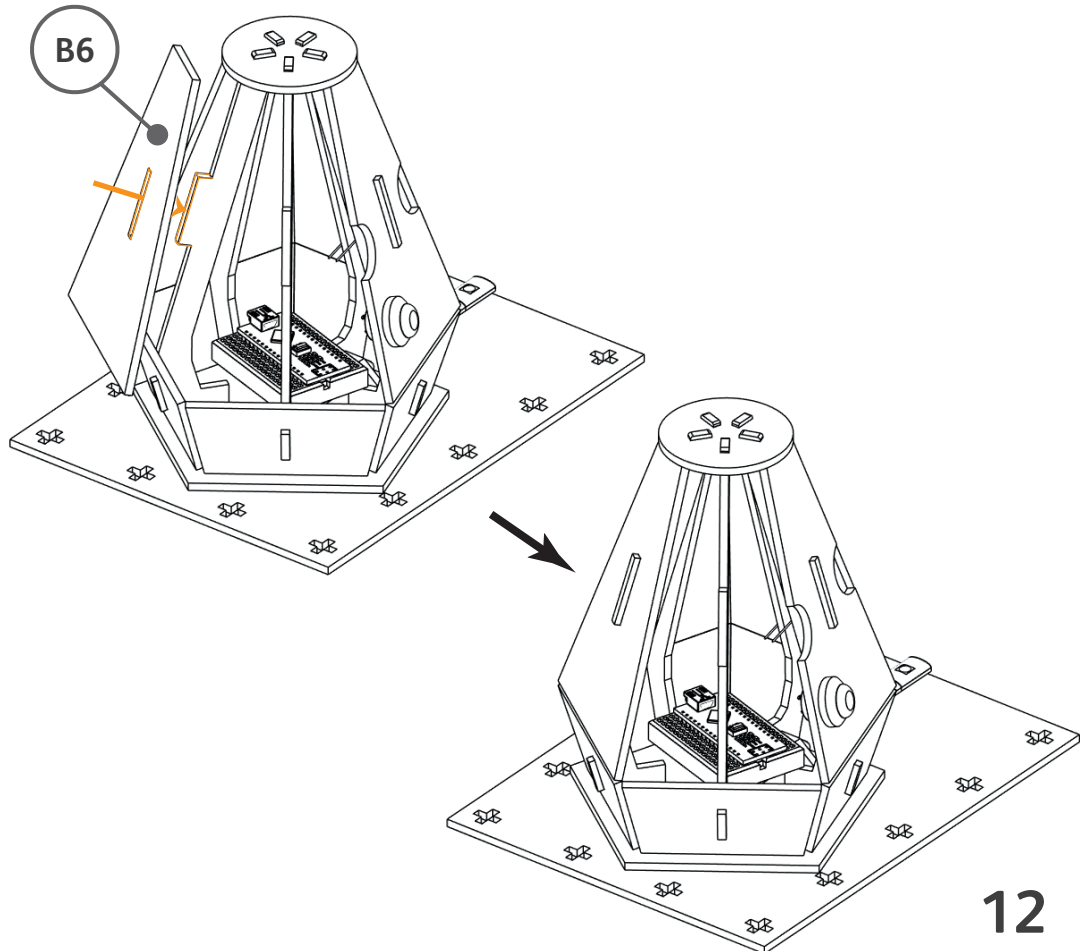
17

1 x B6



18

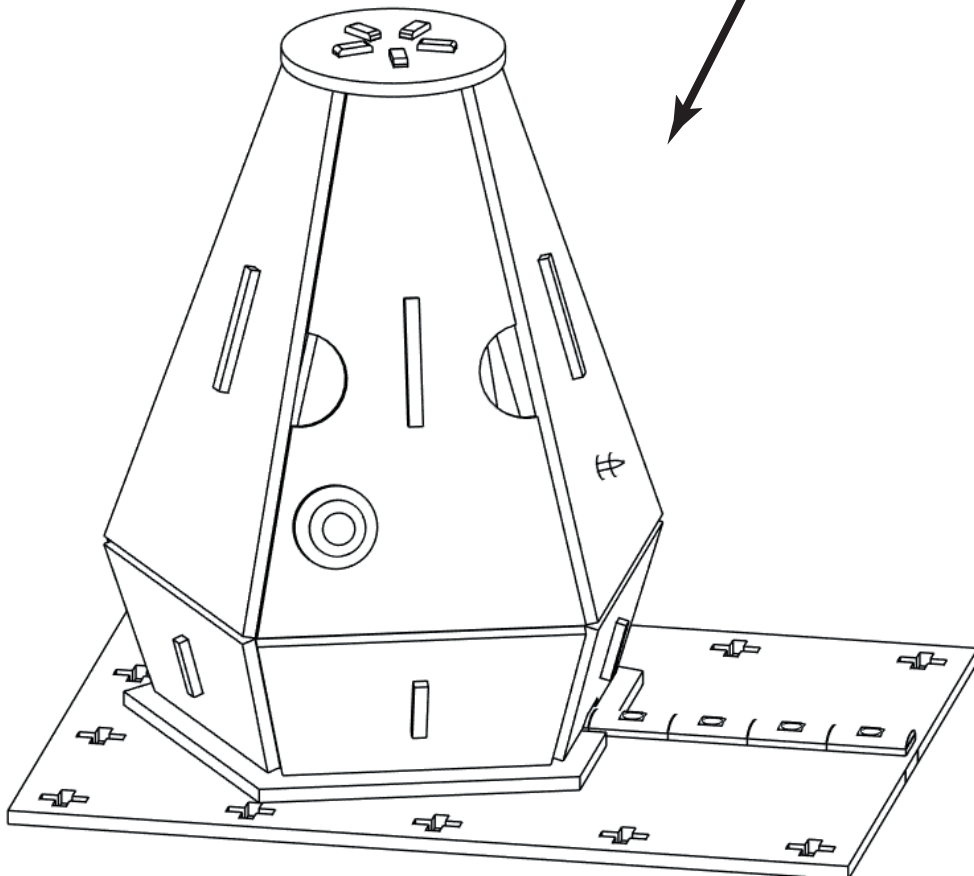
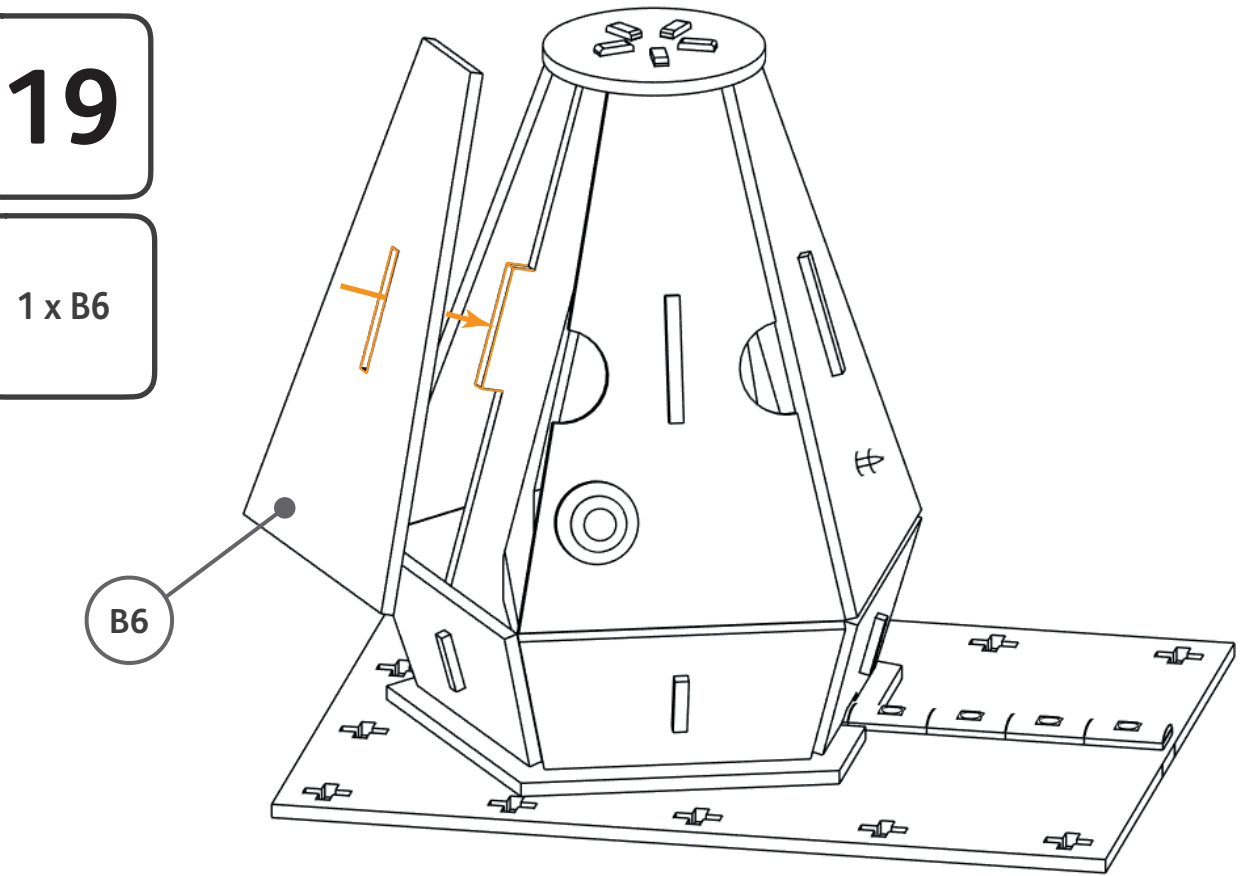
1 x B6



19

1 x B6

B6





Powered by  
**Rewise**

---

**Romania**