



GFG
FOUNDATION

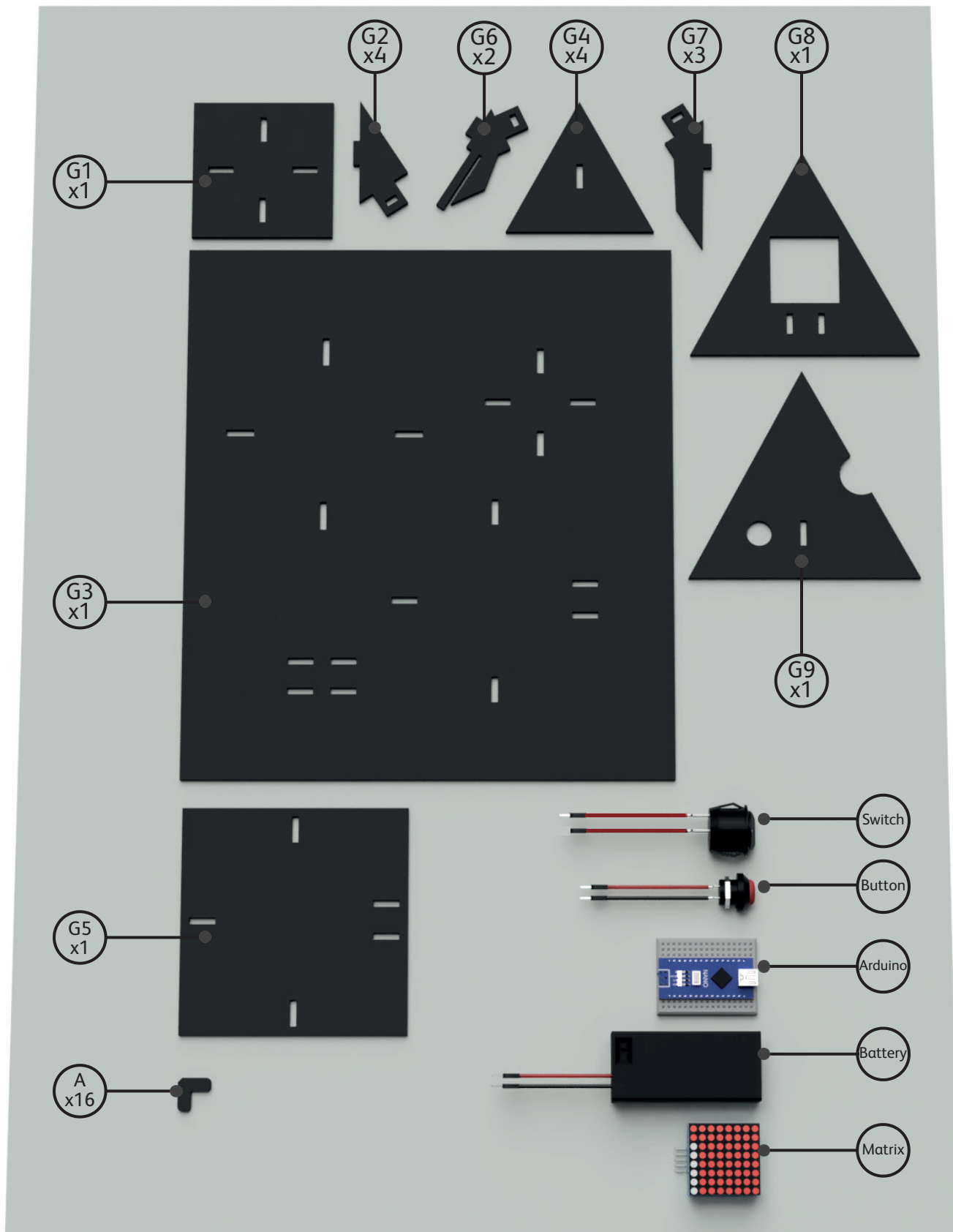
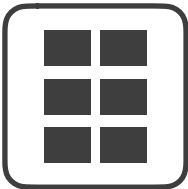
Powered by
Rewise

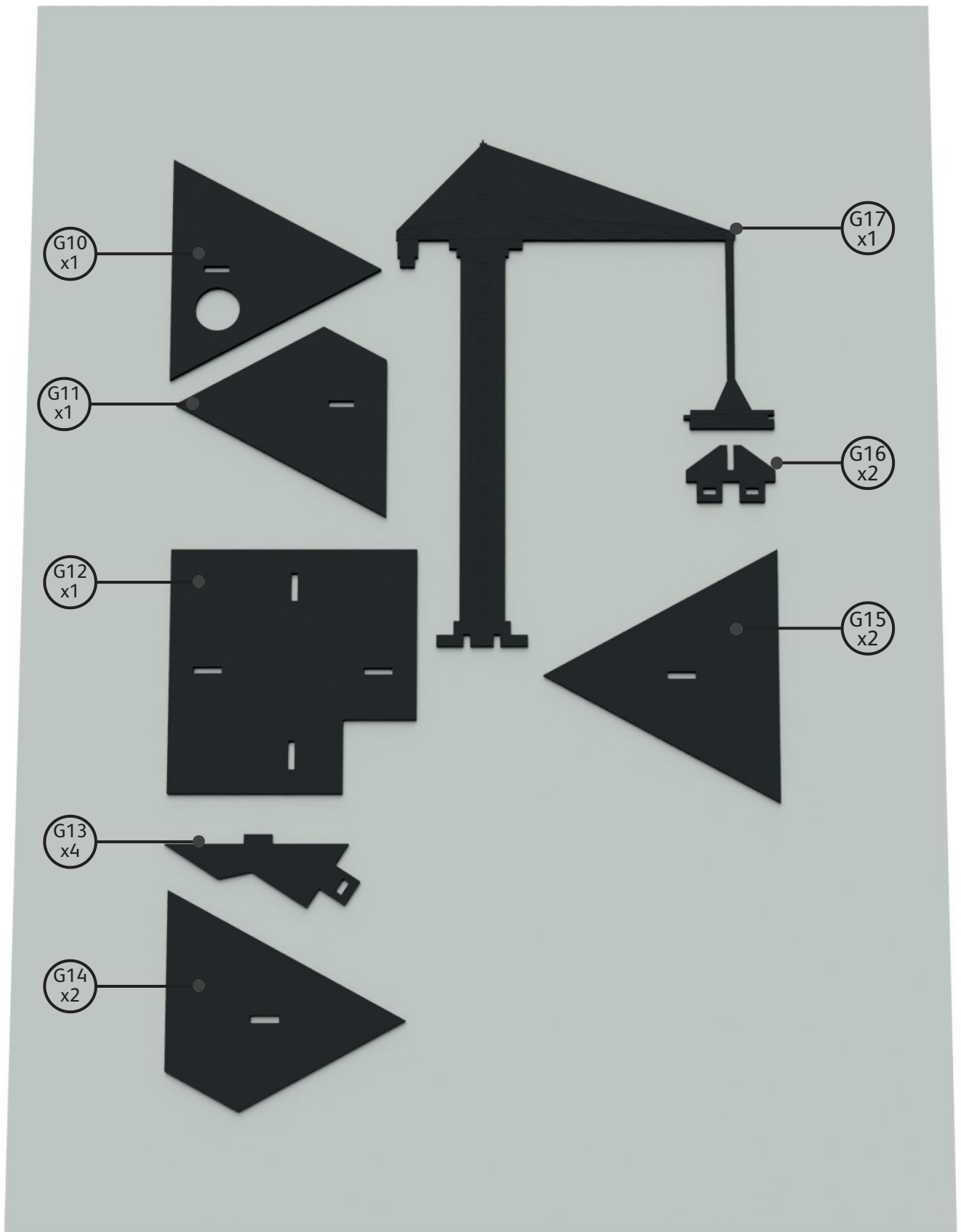
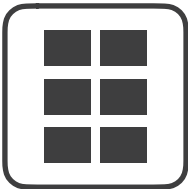
GFG Foundation Provocarea STEAM

Scrap Yard
Assembly Instructions

România

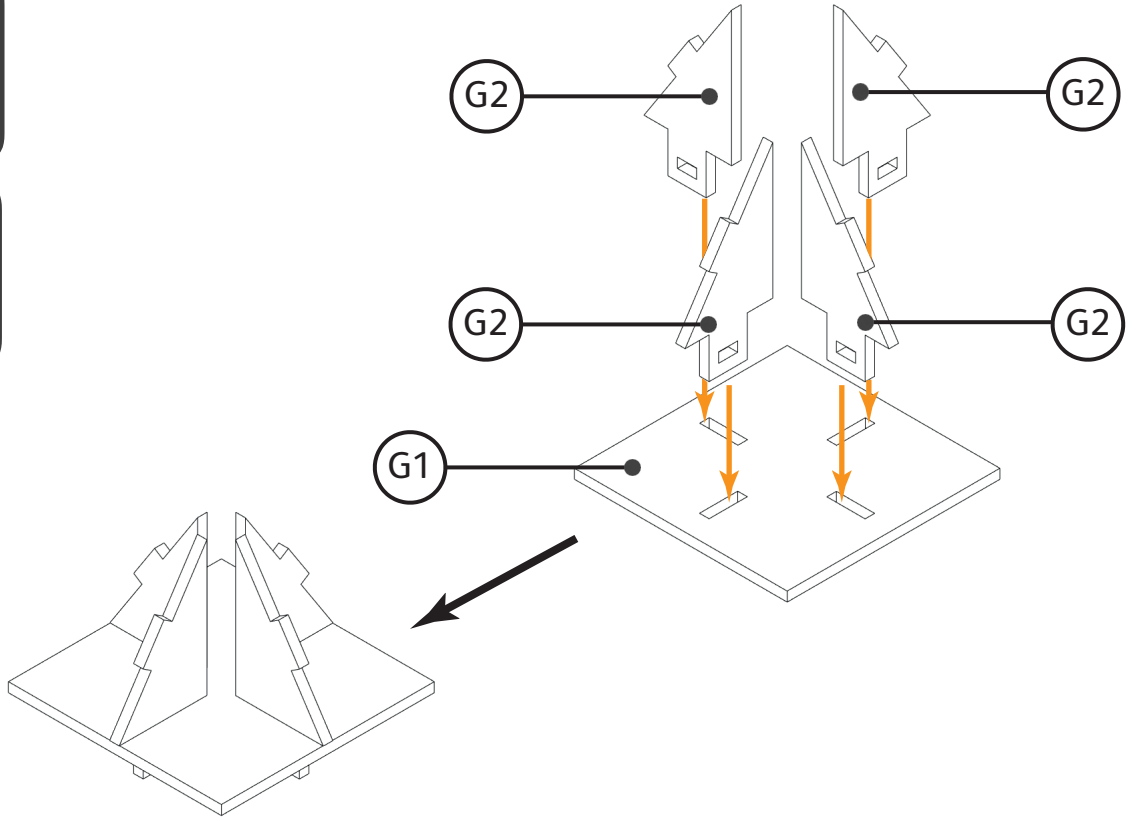






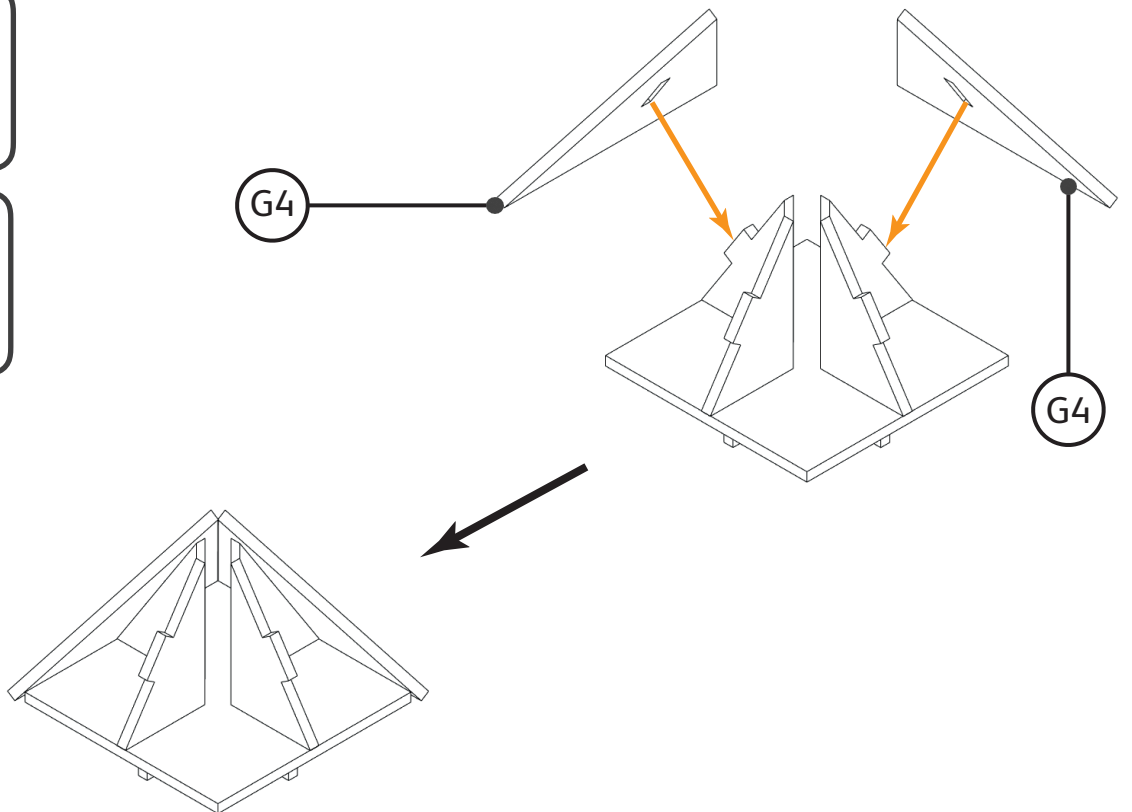
1

1 x G1
4 x G2



2

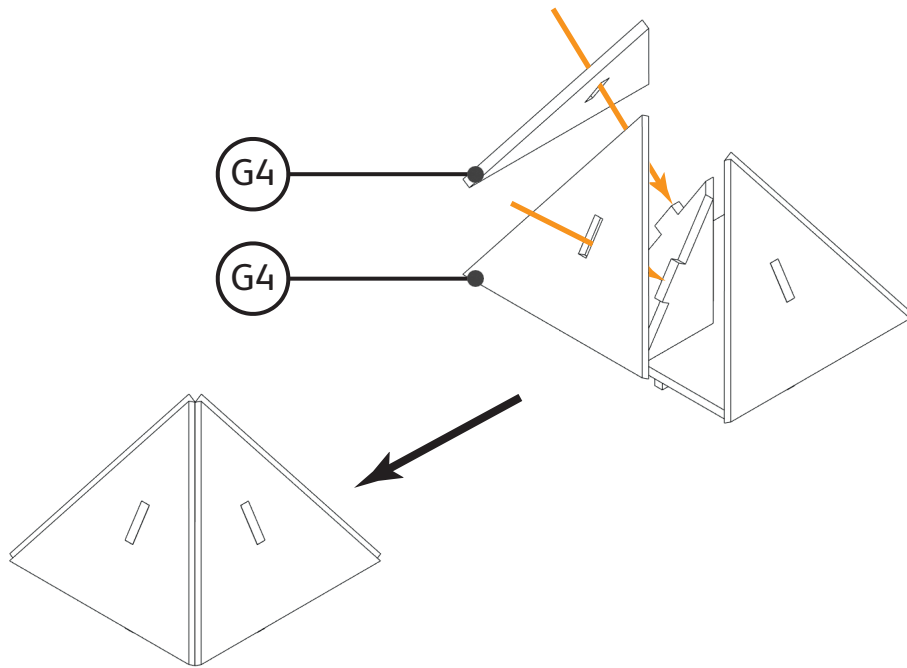
2 x G4



3

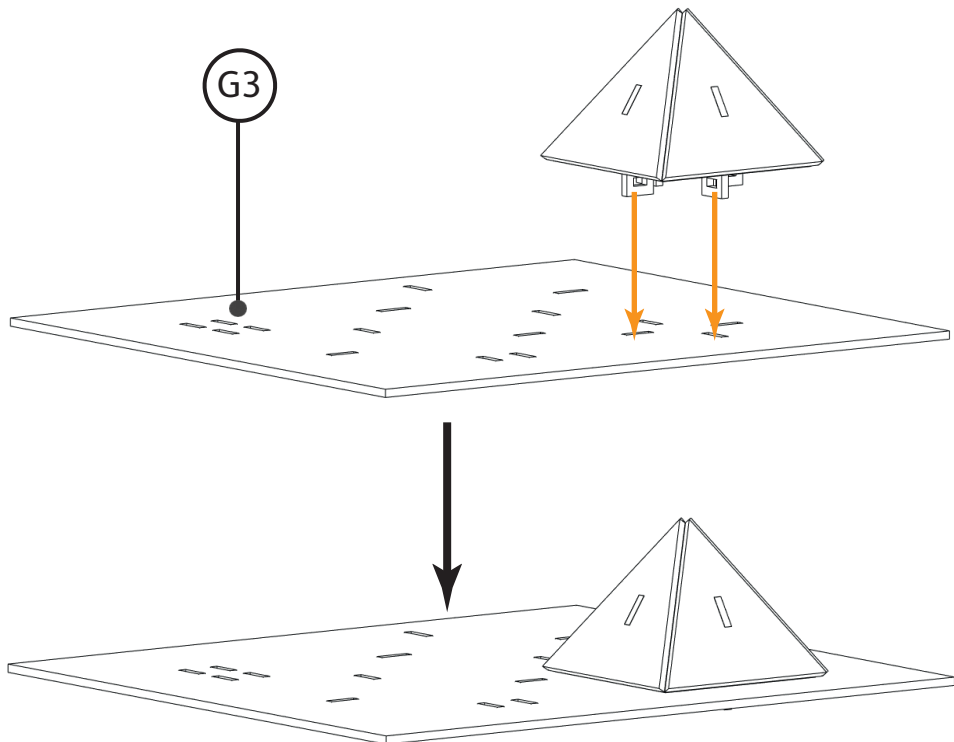
3

2 x G4



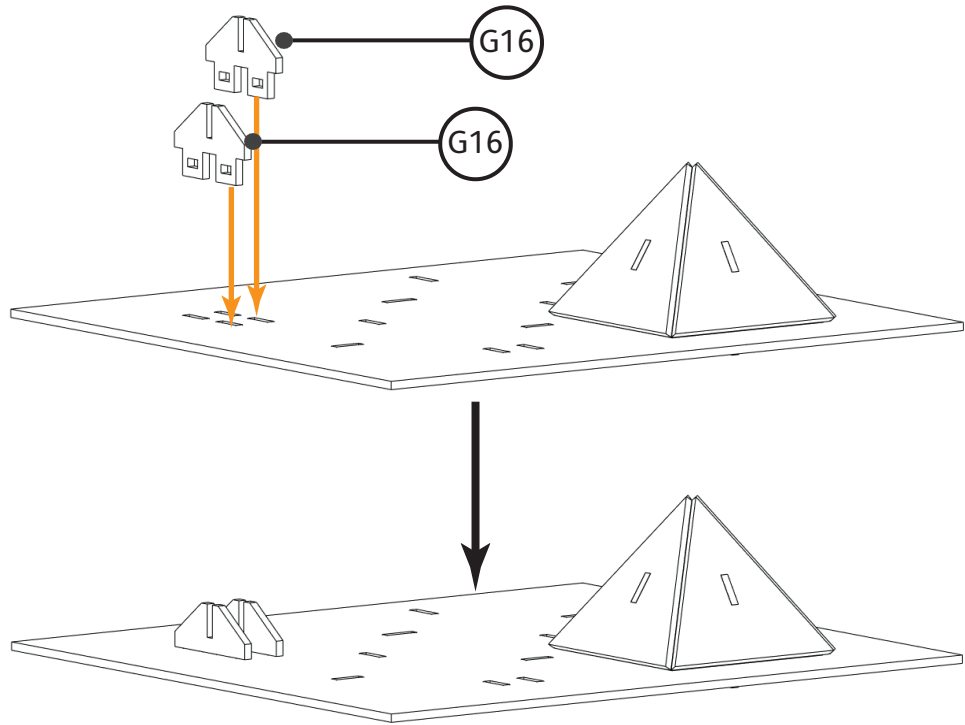
4

1 x G3



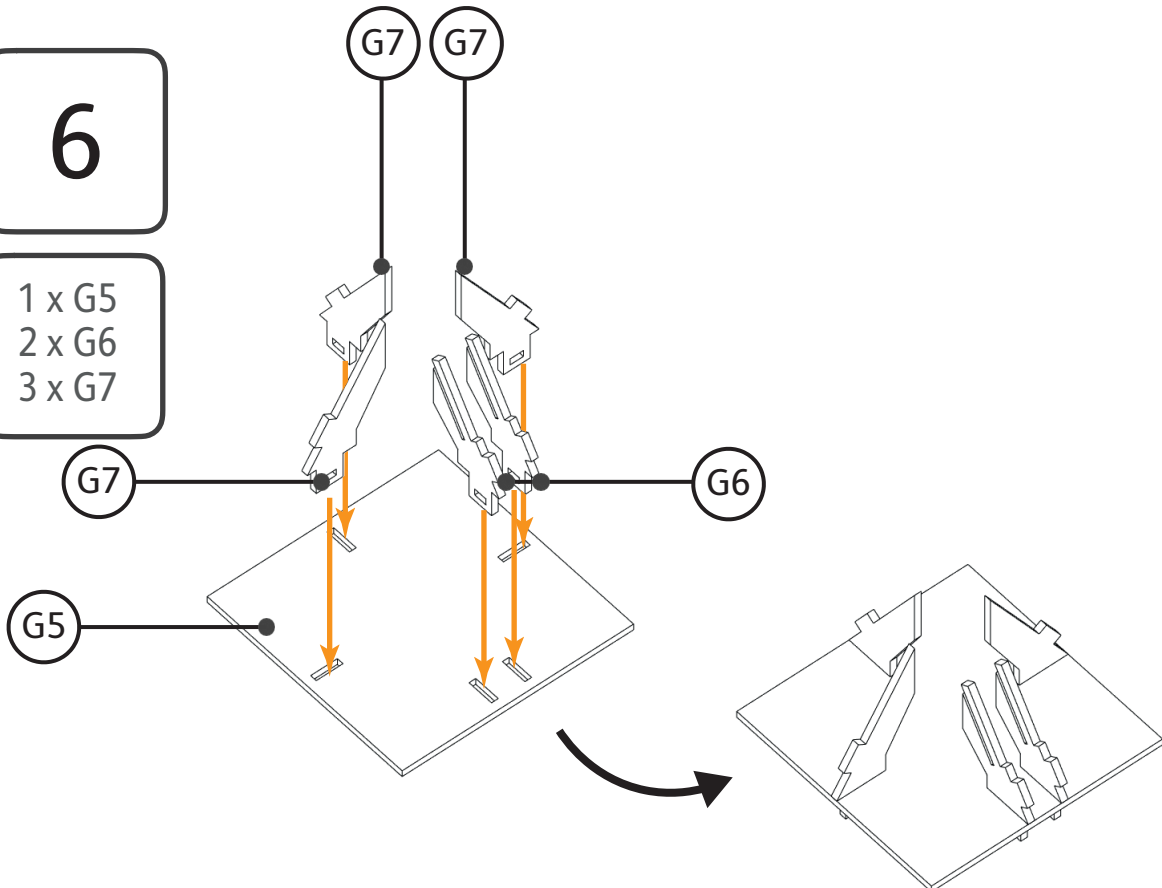
5

2 x G16



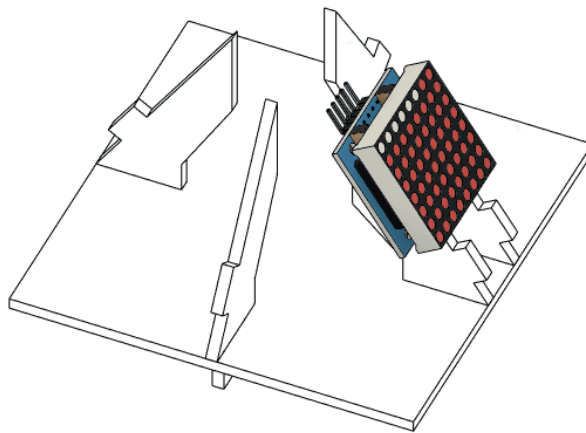
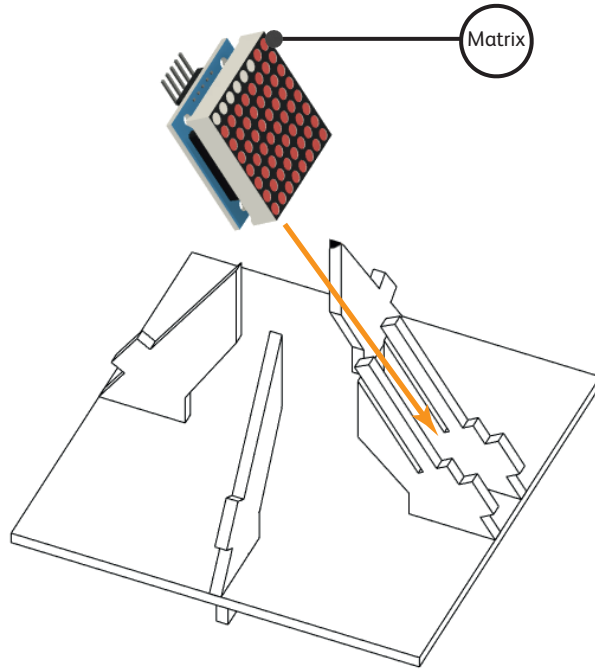
6

1 x G5
2 x G6
3 x G7



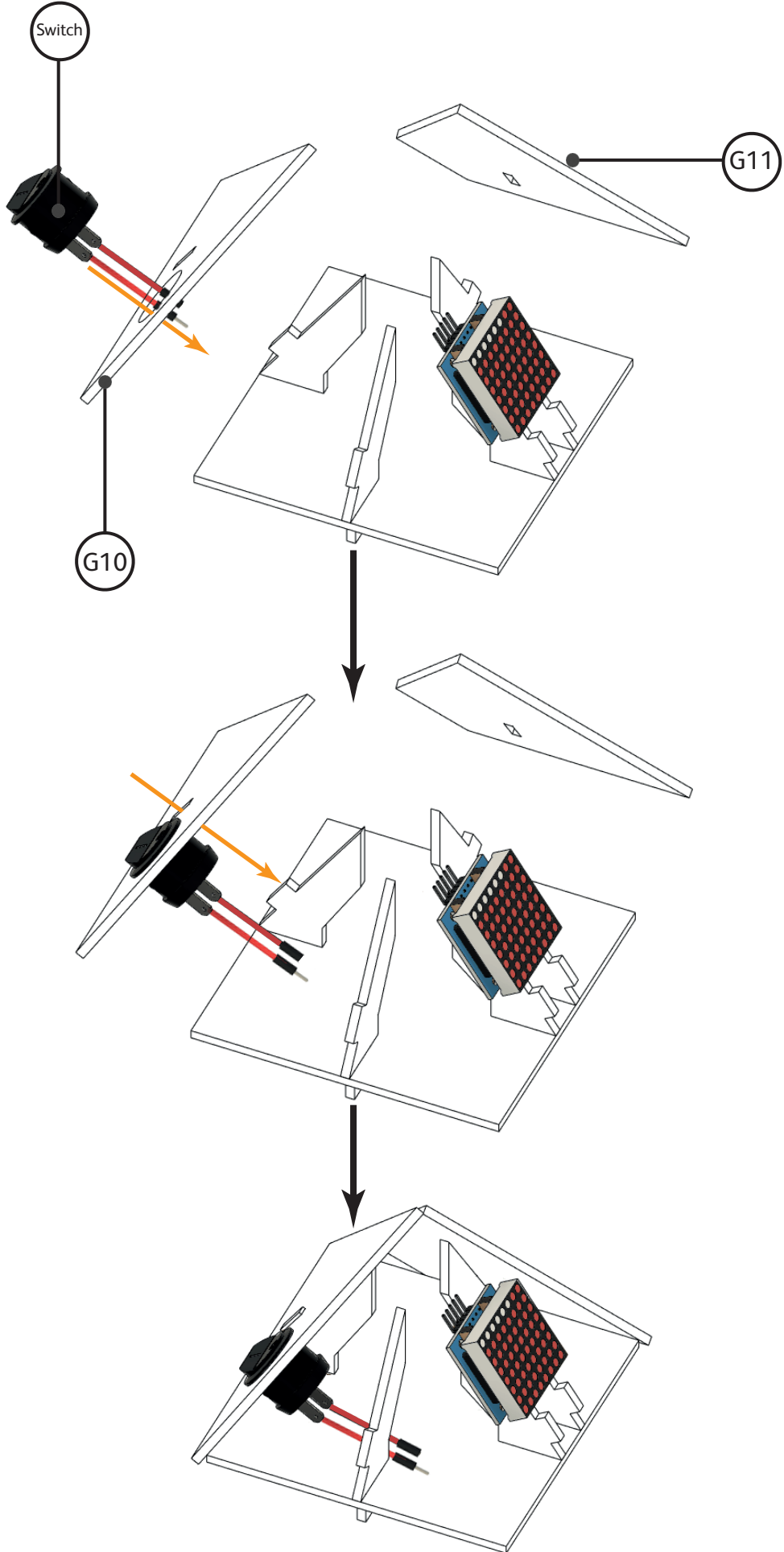
7

1 x Matrix

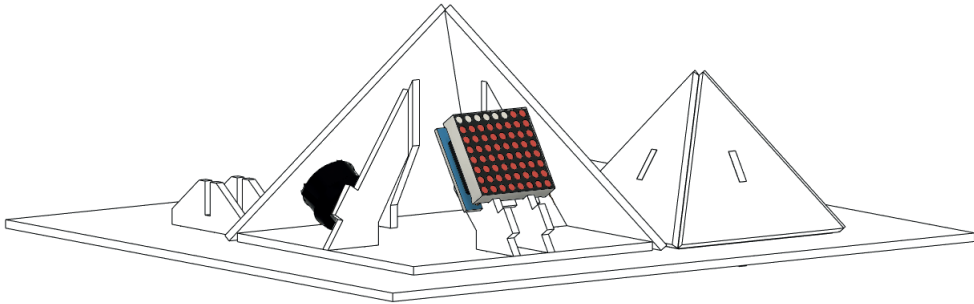
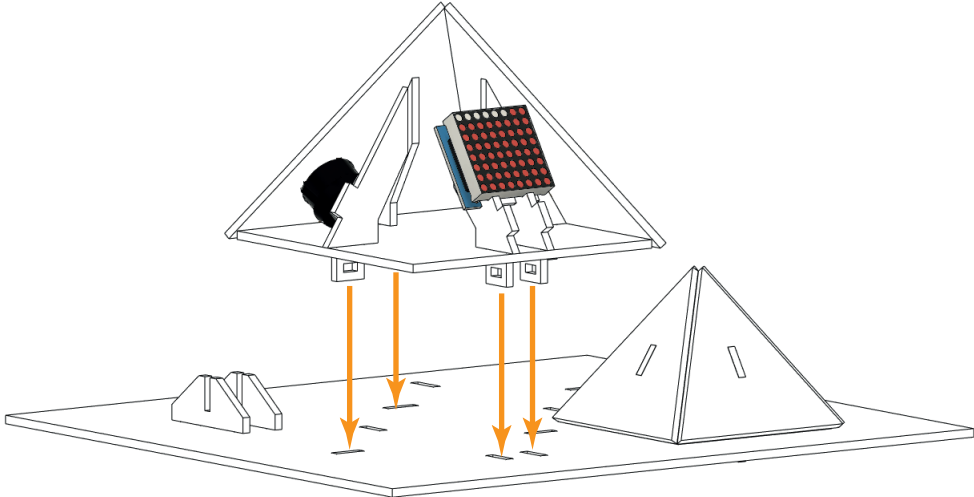


8

1 x Switch
1 x G10
1 x G11

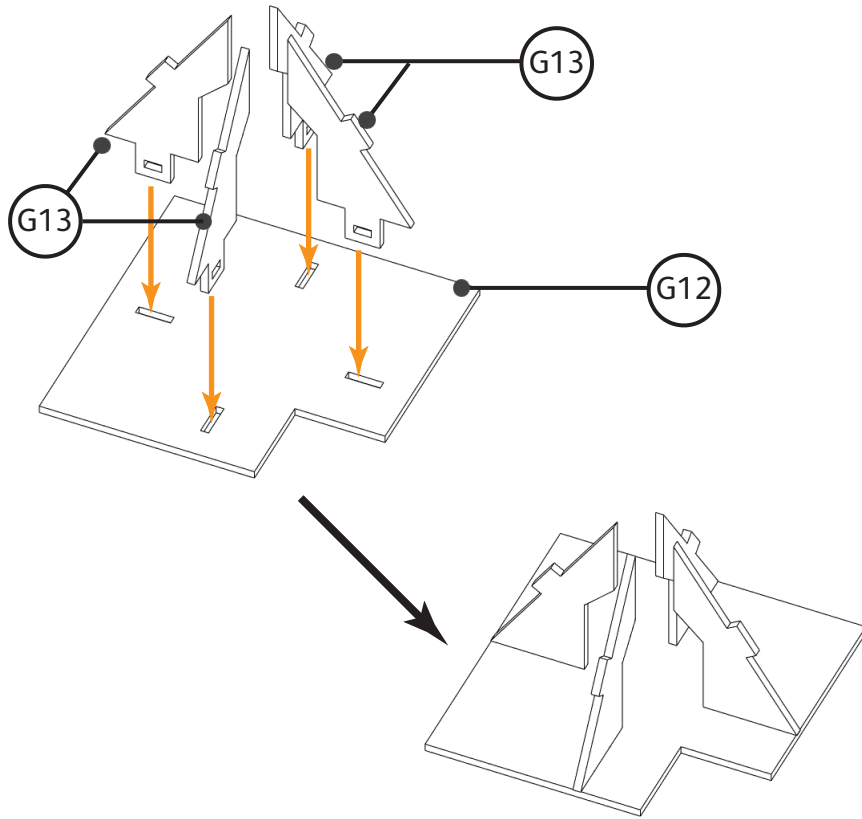


9



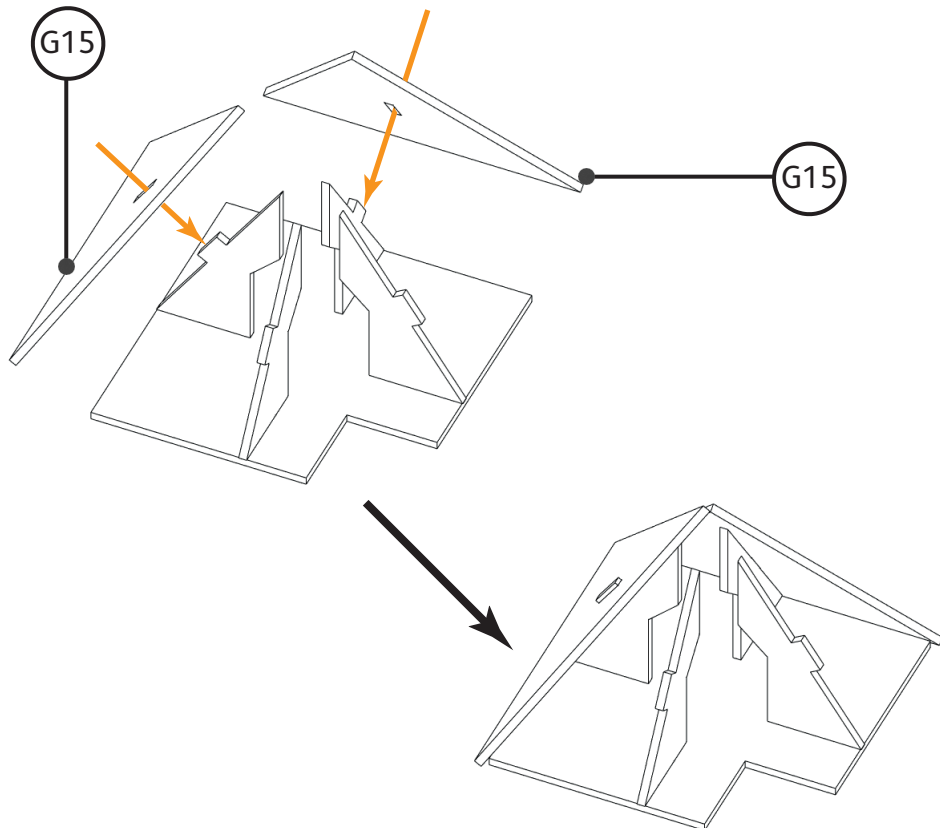
10

1 x G12
4 x G13



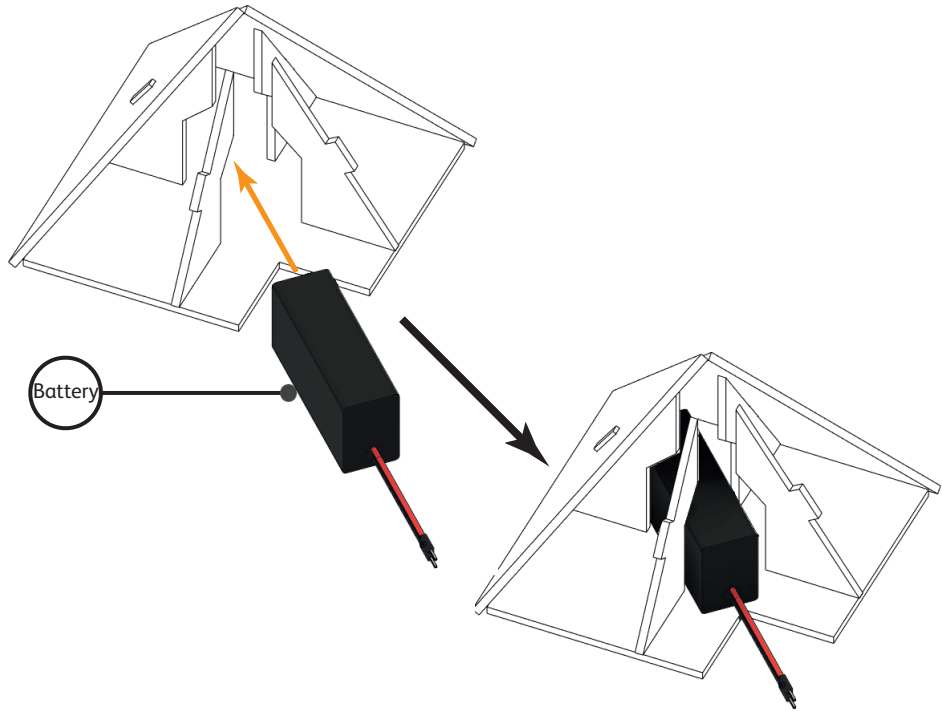
11

2 x G15



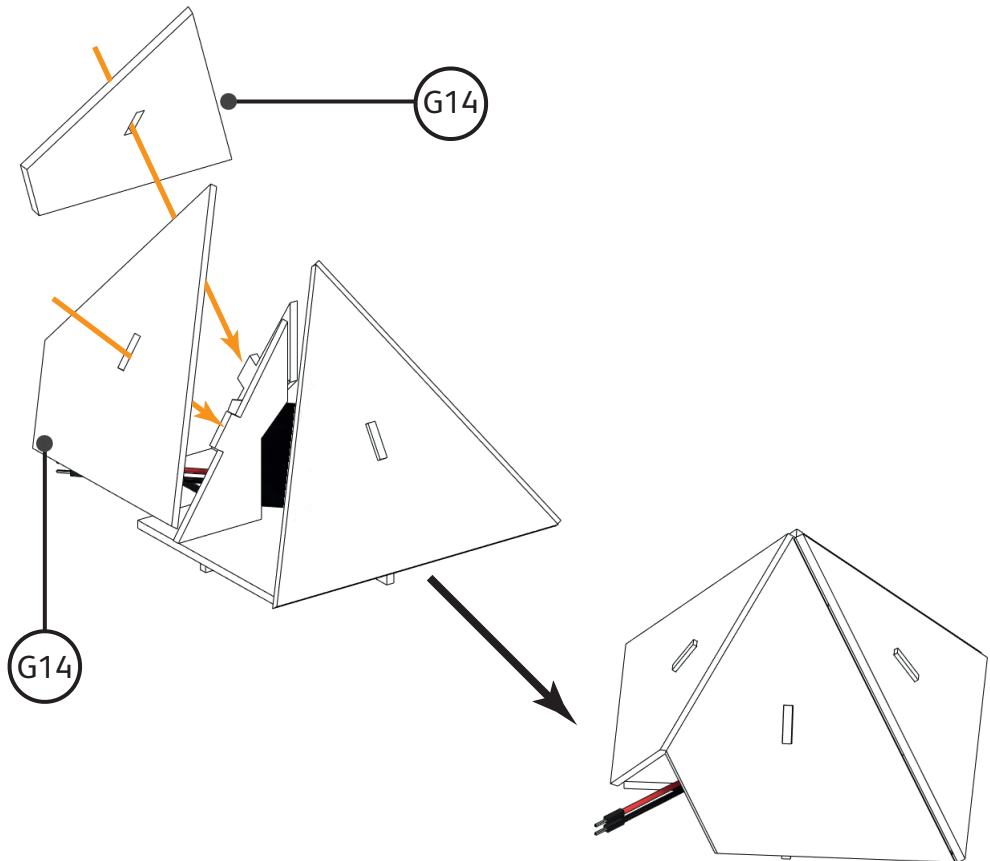
12

1 x Battery



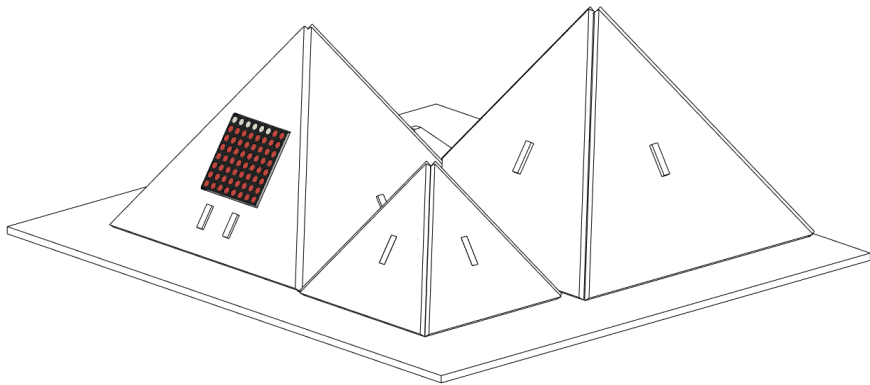
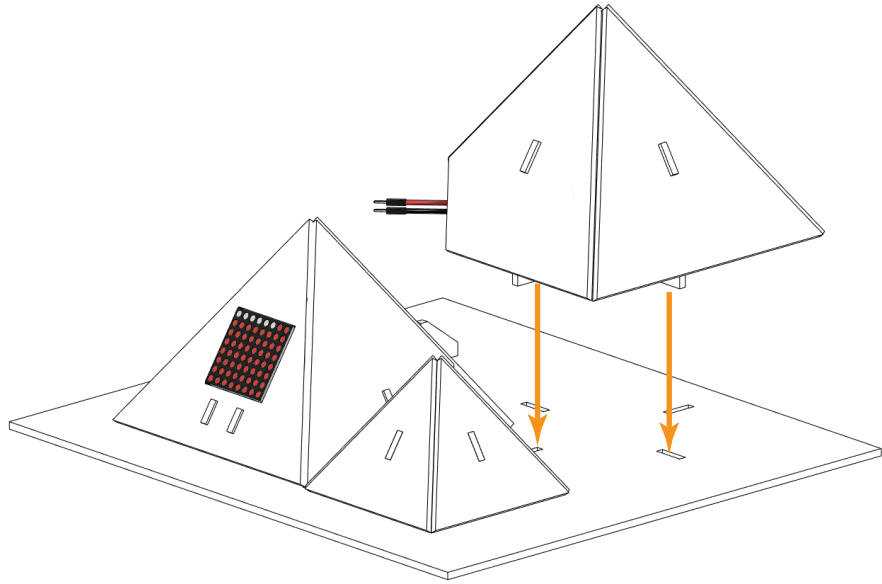
13

2 x G14



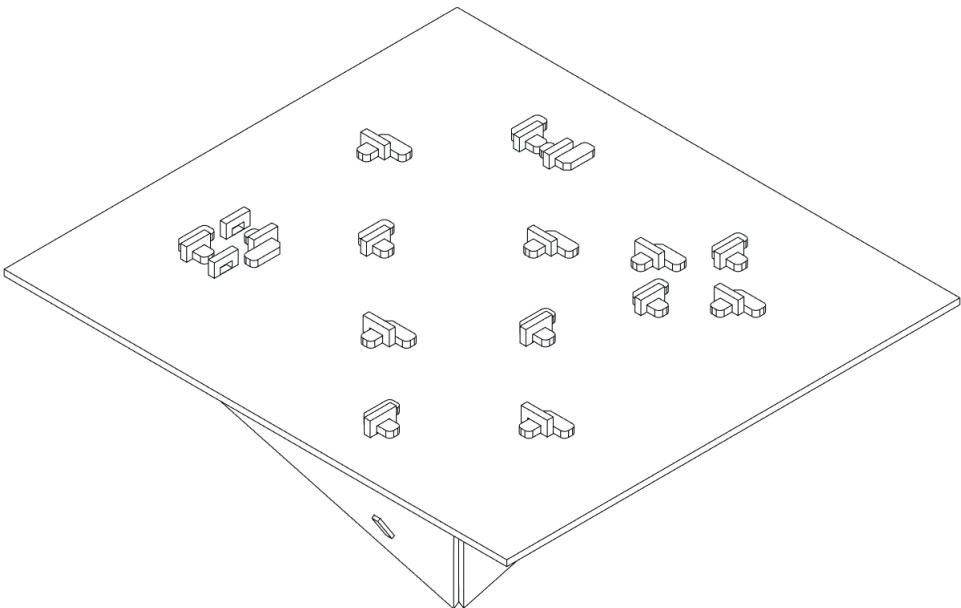
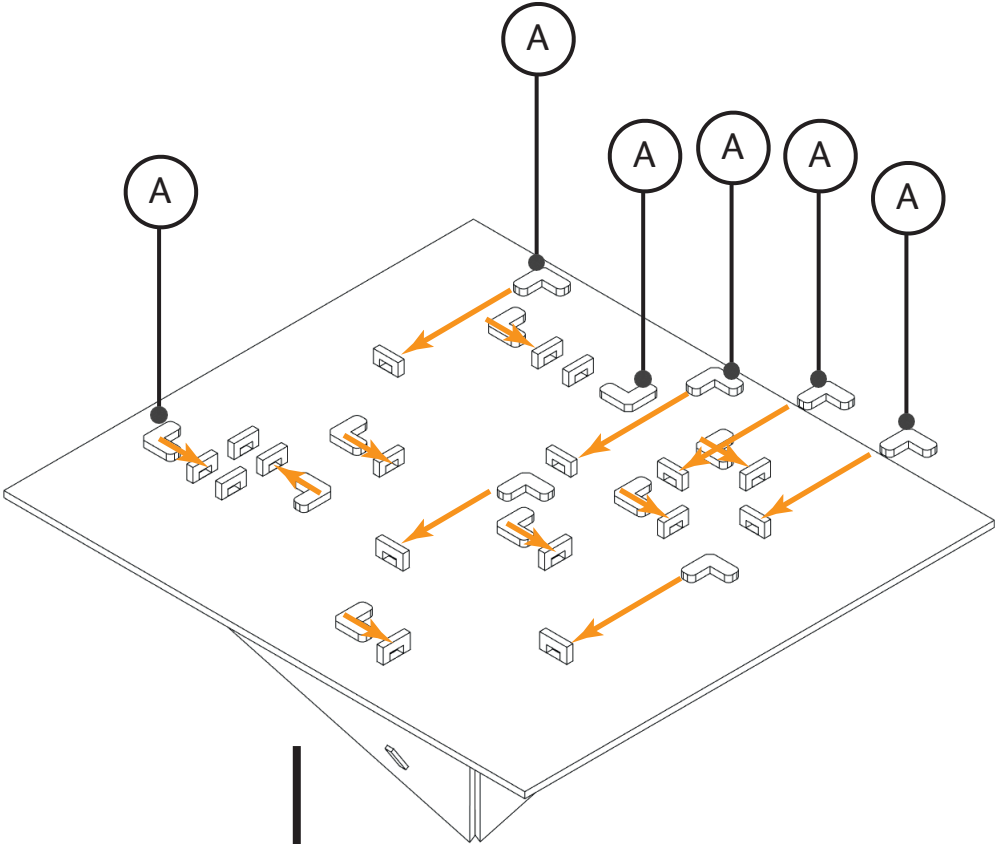
10

14



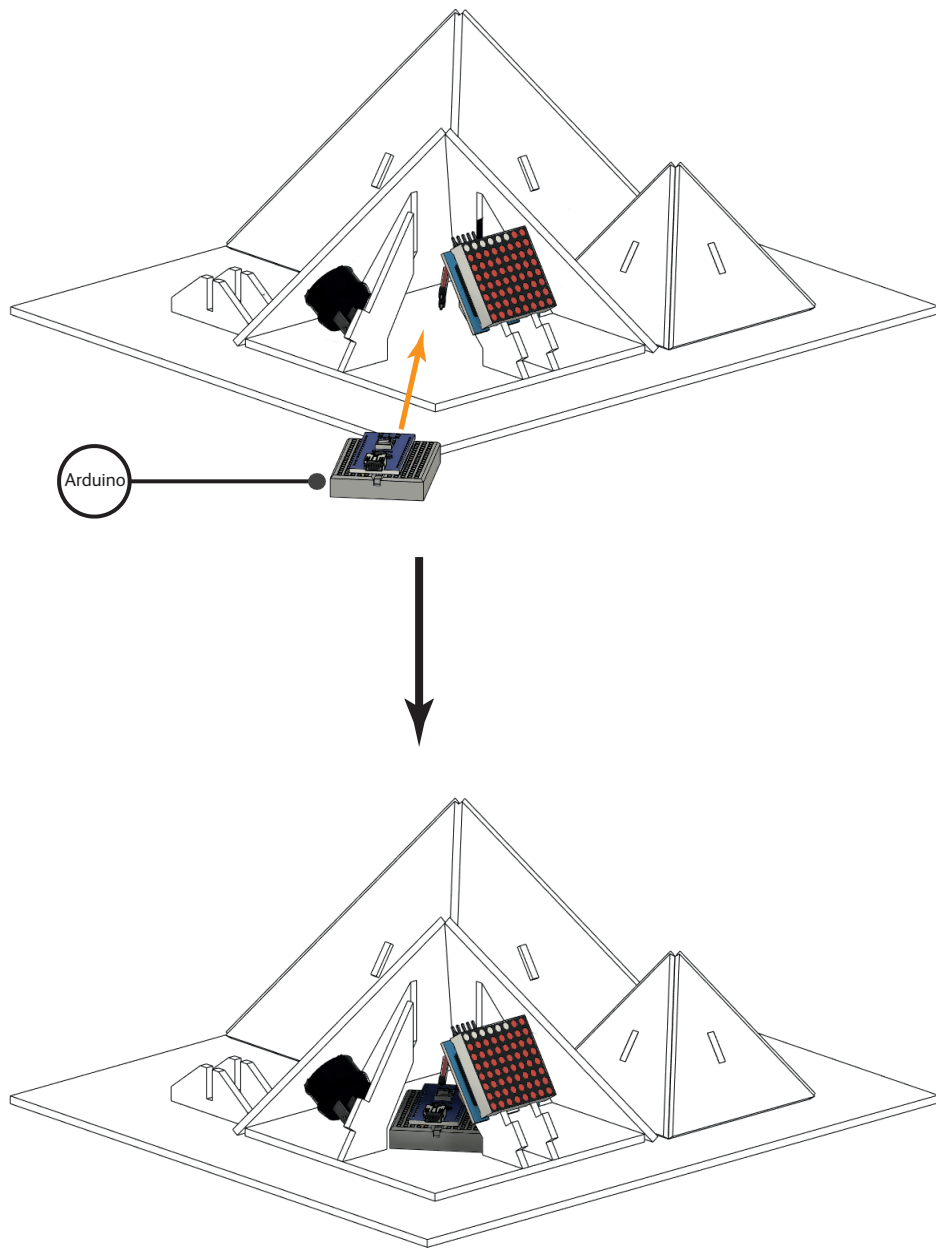
15

15 x A



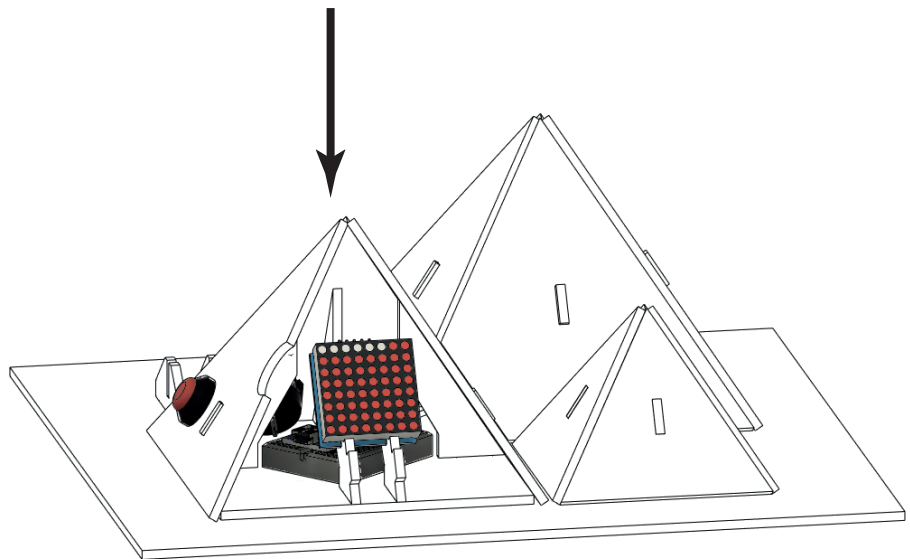
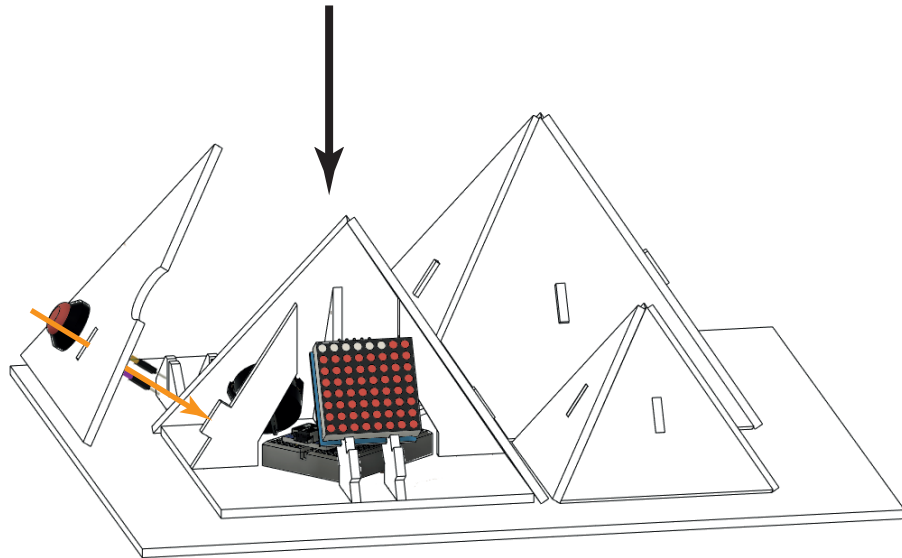
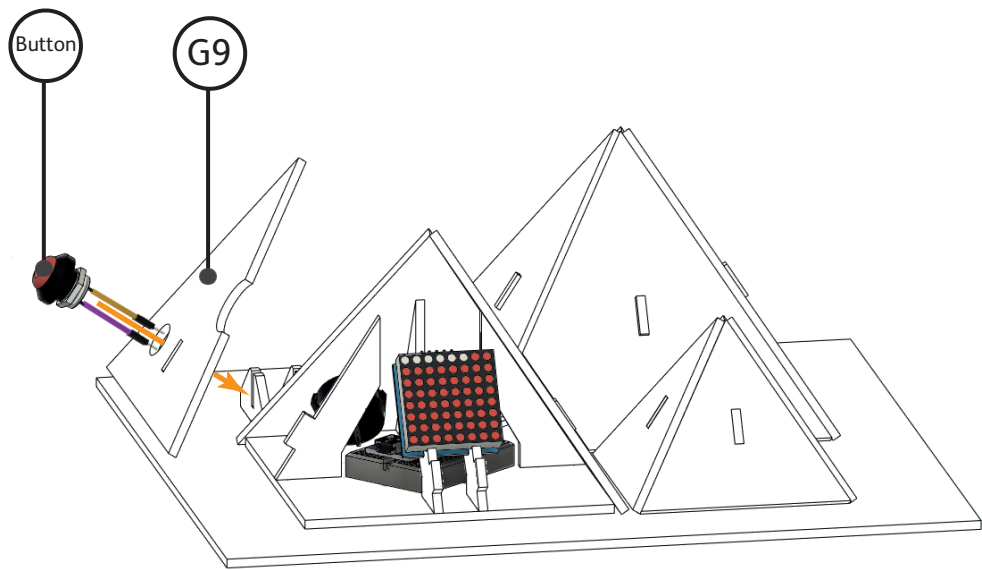
16

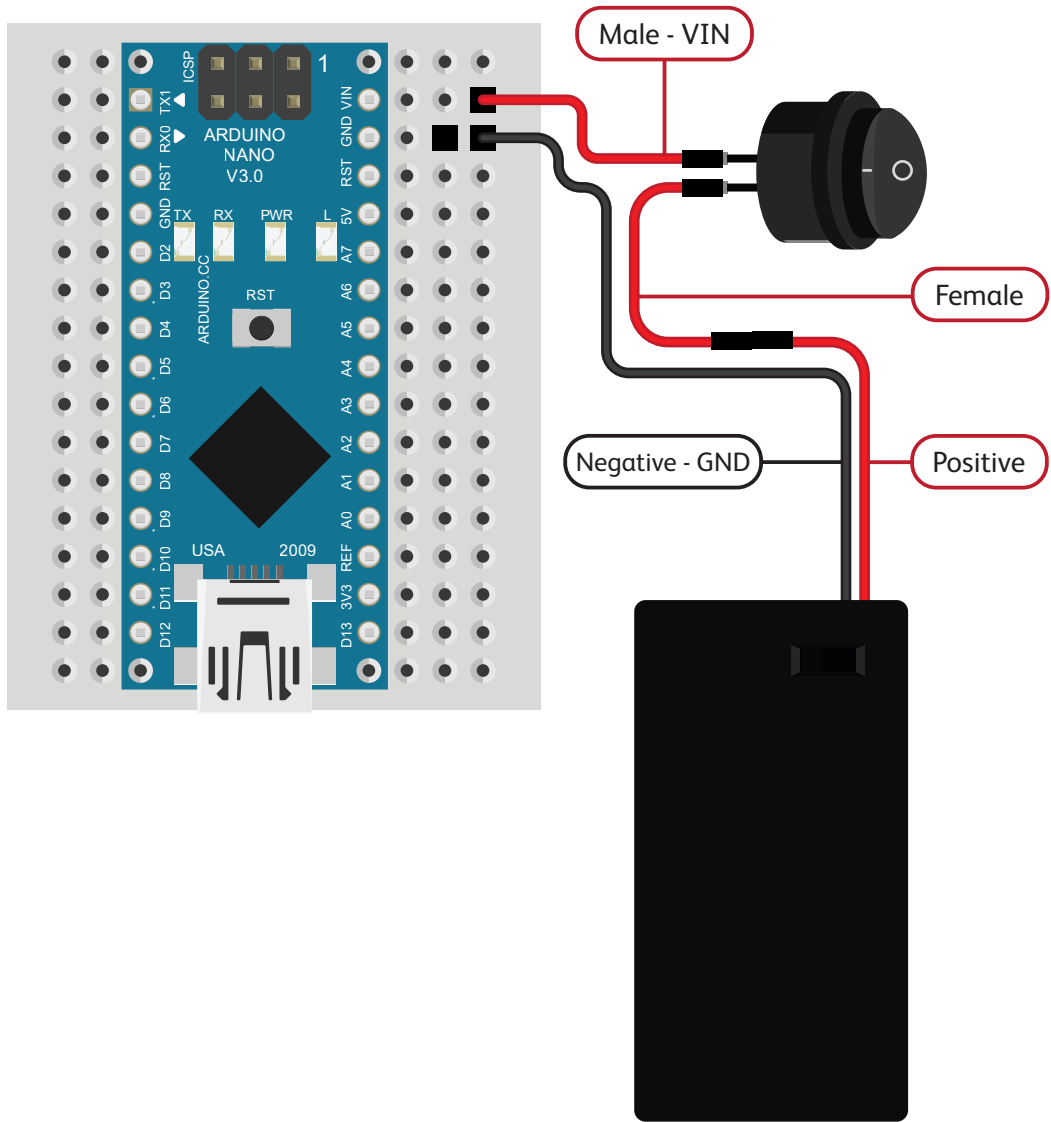
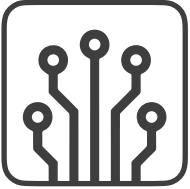
1 x Arduino

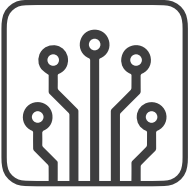


17

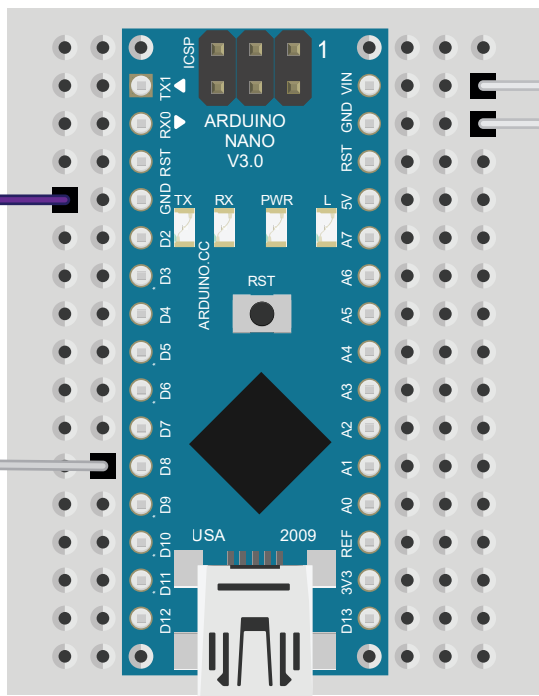
1 x Button
1 x G9



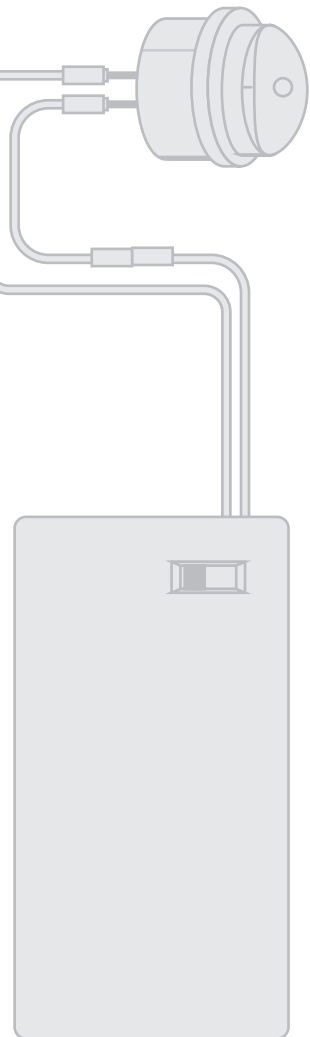
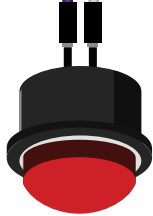


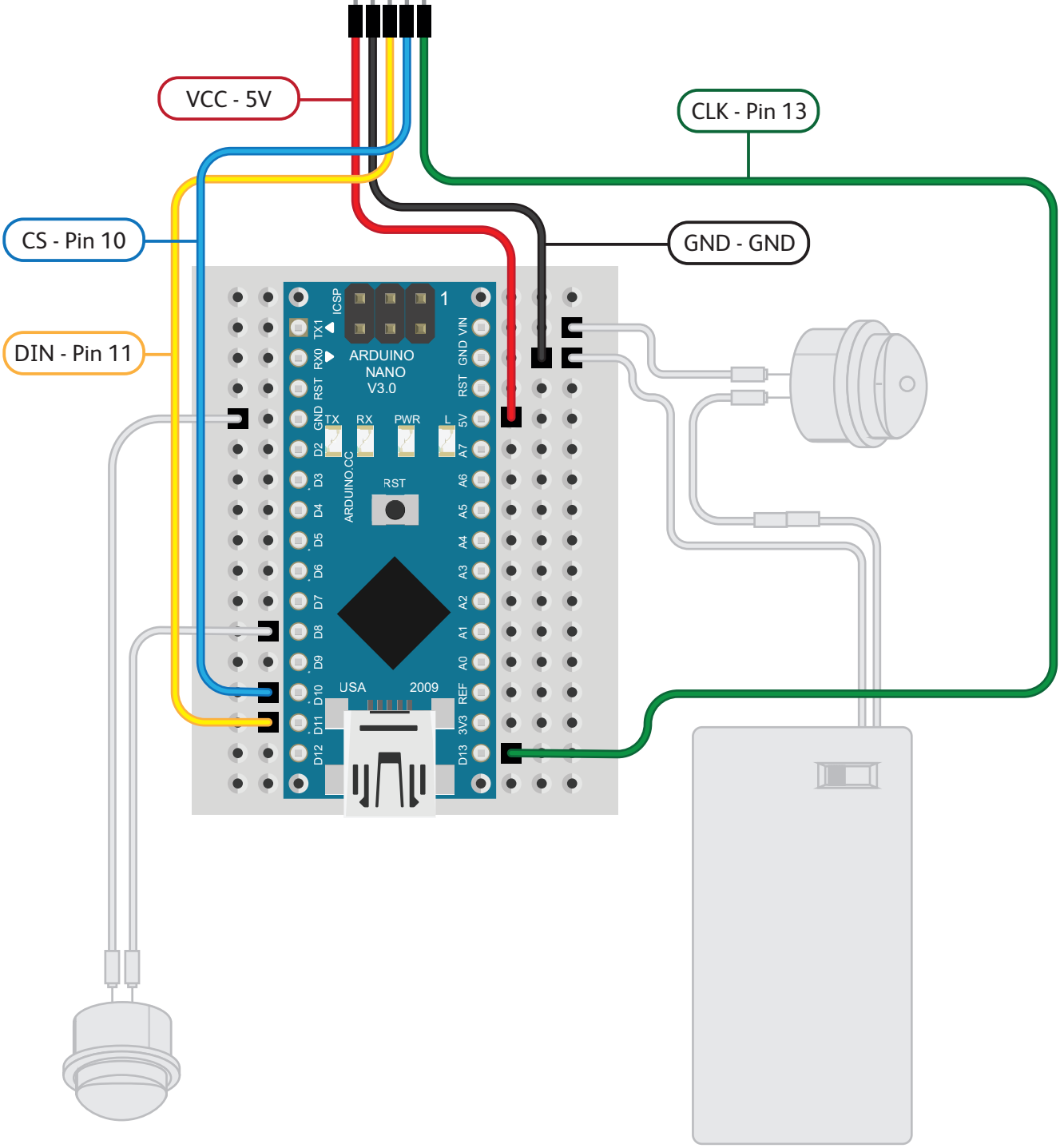
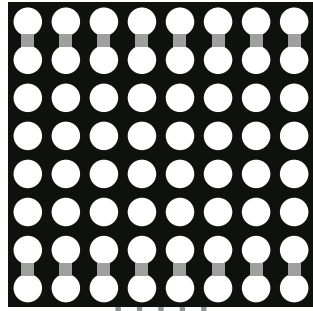
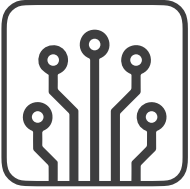


Negative - GND



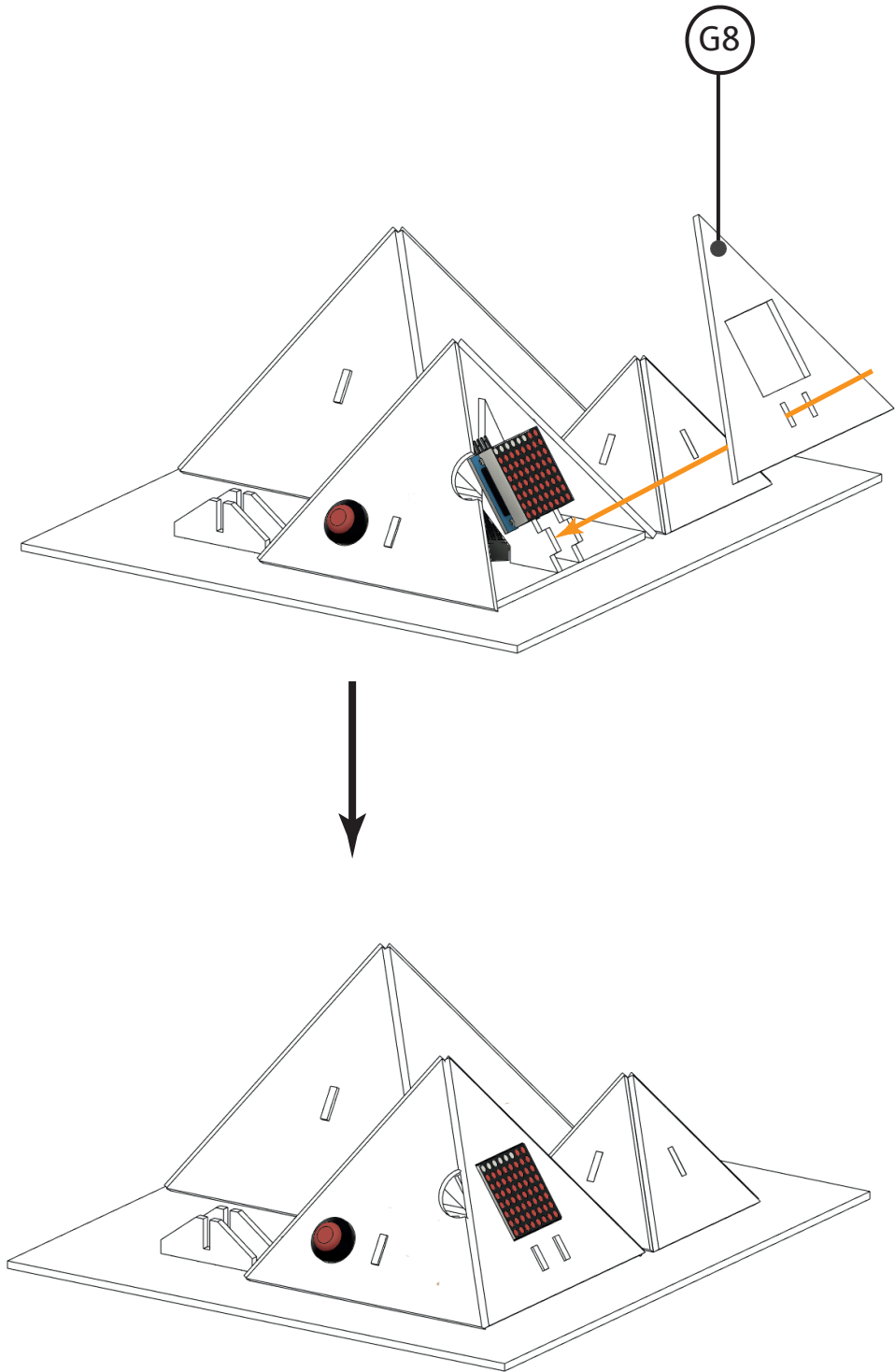
Positive - Pin 8





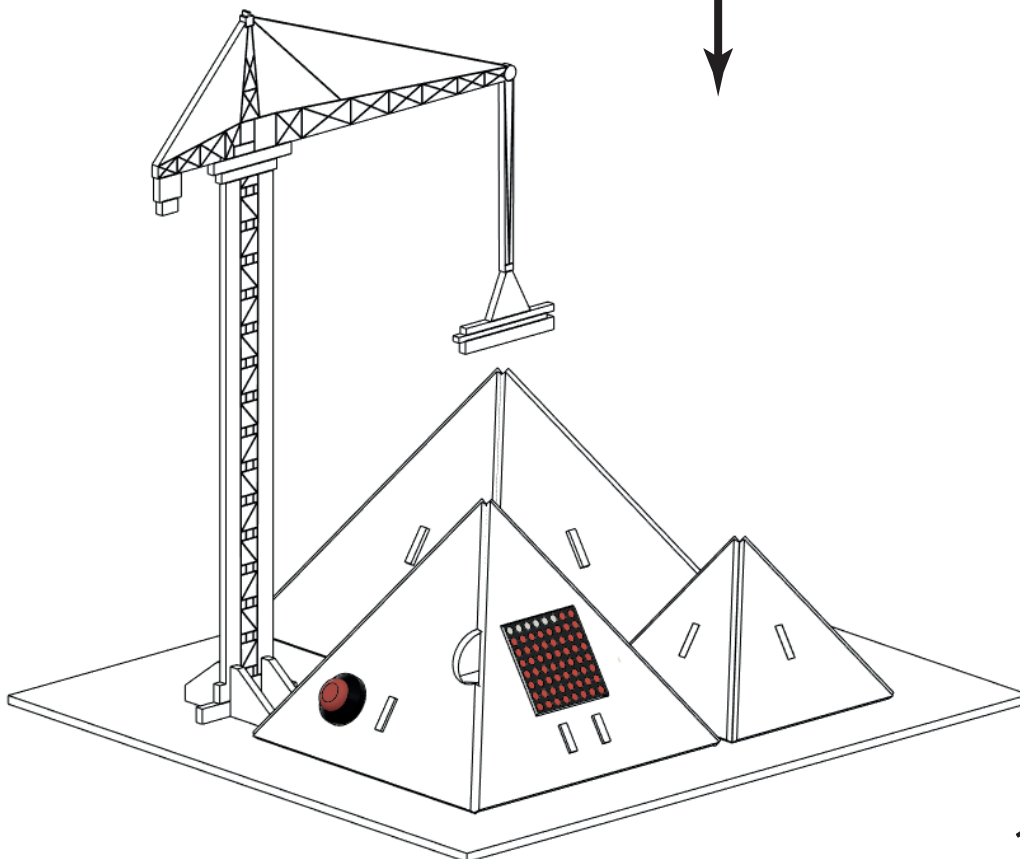
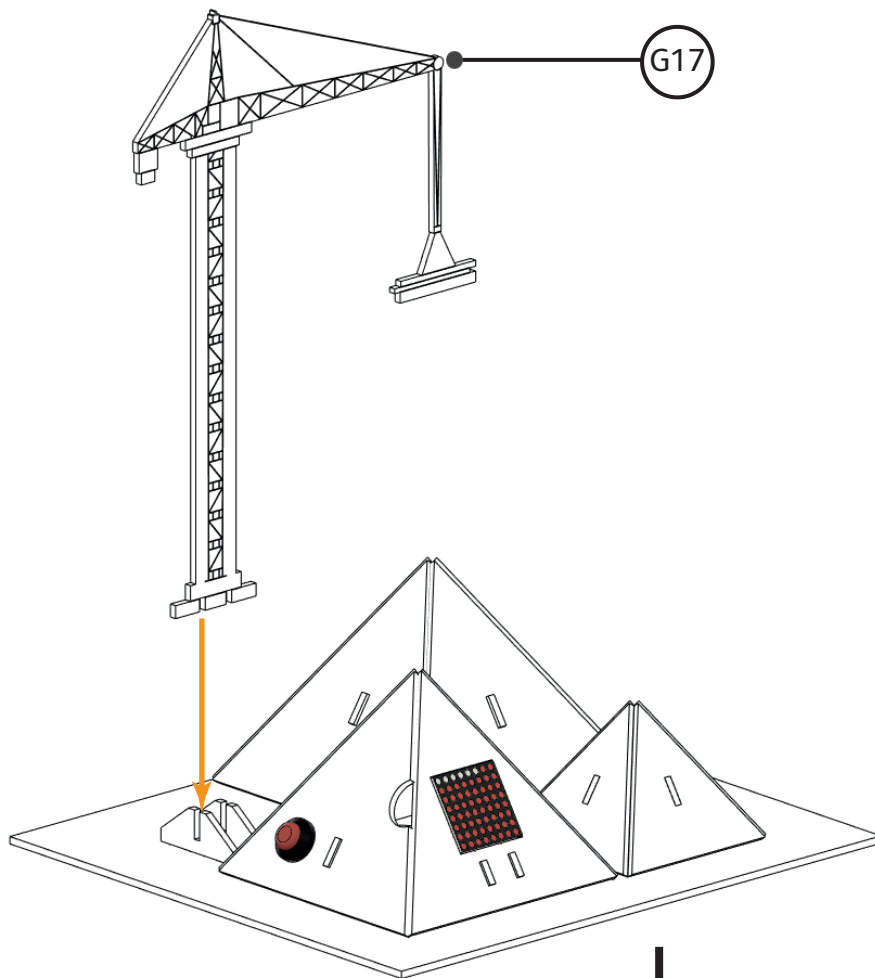
18

1 x G8



19

1 x G17





Powered by
Rewise

Romania