



GFG
FOUNDATION

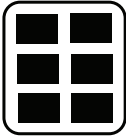
Powered by
Rewise

GFG Foundation Provocarea STEAM

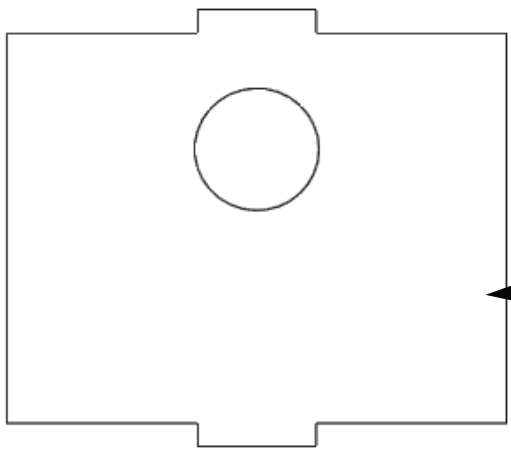
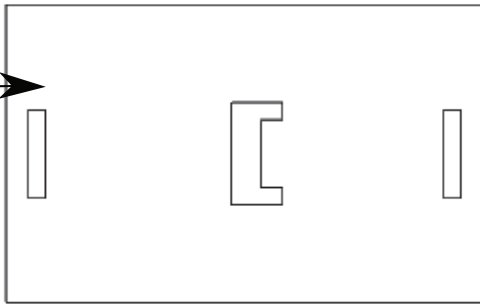
Rolling Mill
Assembly Instructions

România





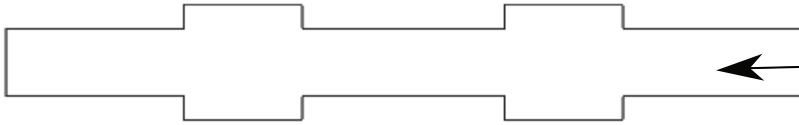
F3 x 2



F4 x 1

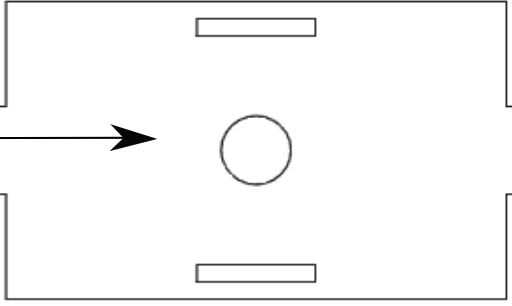


F1 x 4

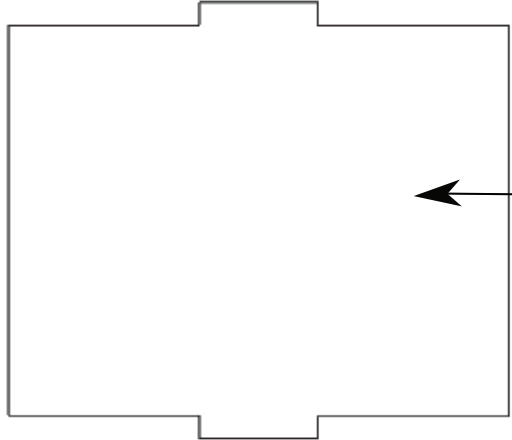


F2 x 2

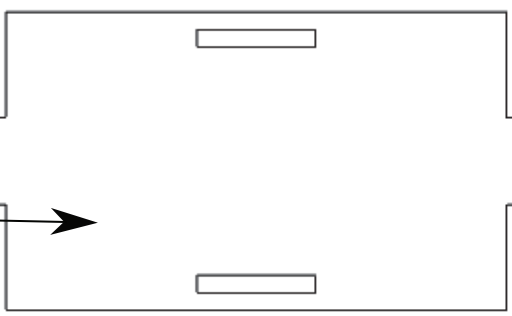
F5 x 1



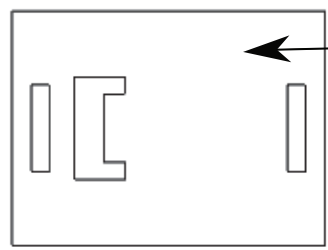
F6 x 1



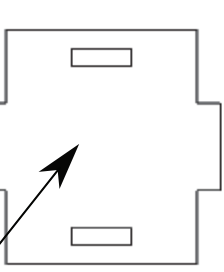
F7 x 1



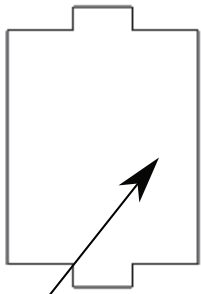
F8 x 2



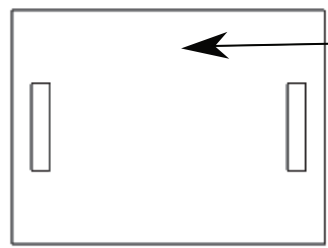
F9 x 4



F10 x 4



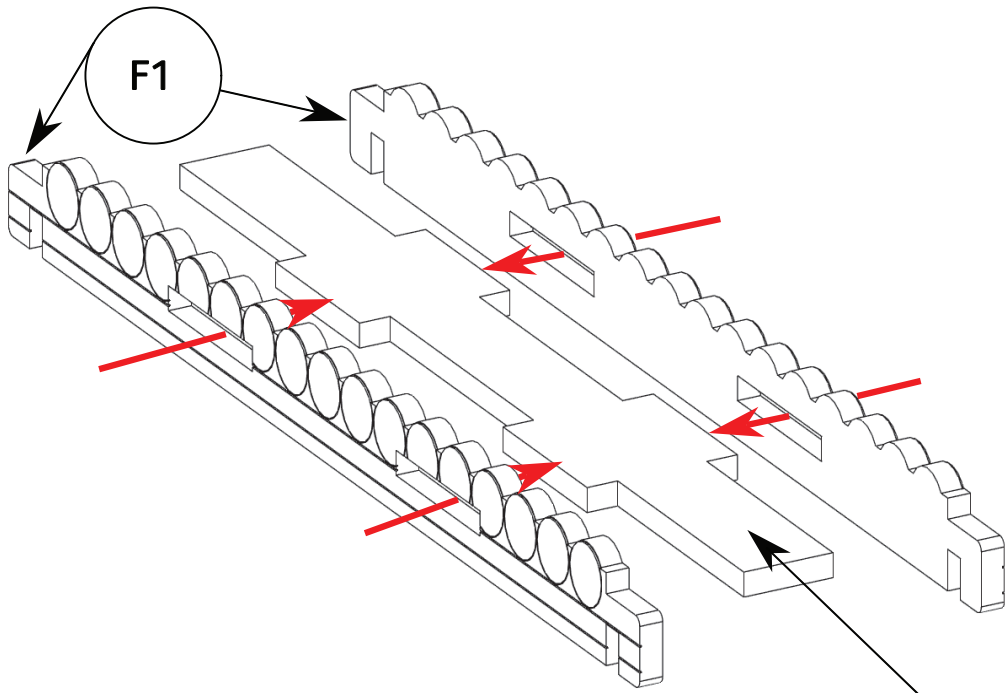
F11 x 2



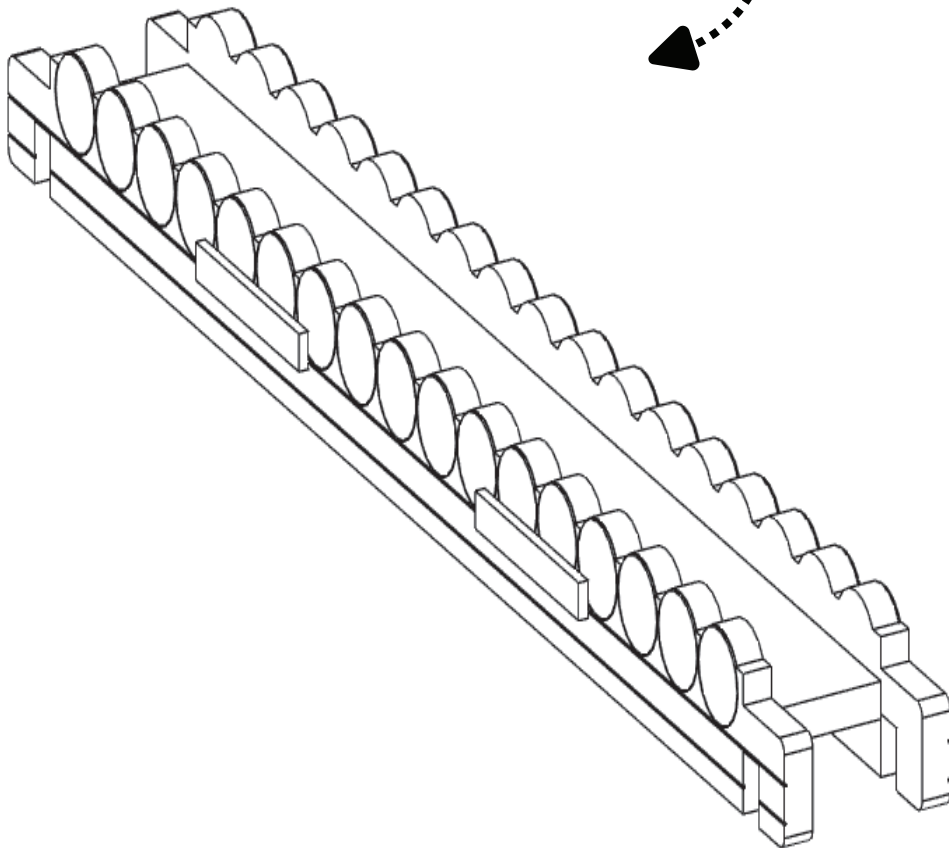
1

F2 x 2
F1 x 4

X2



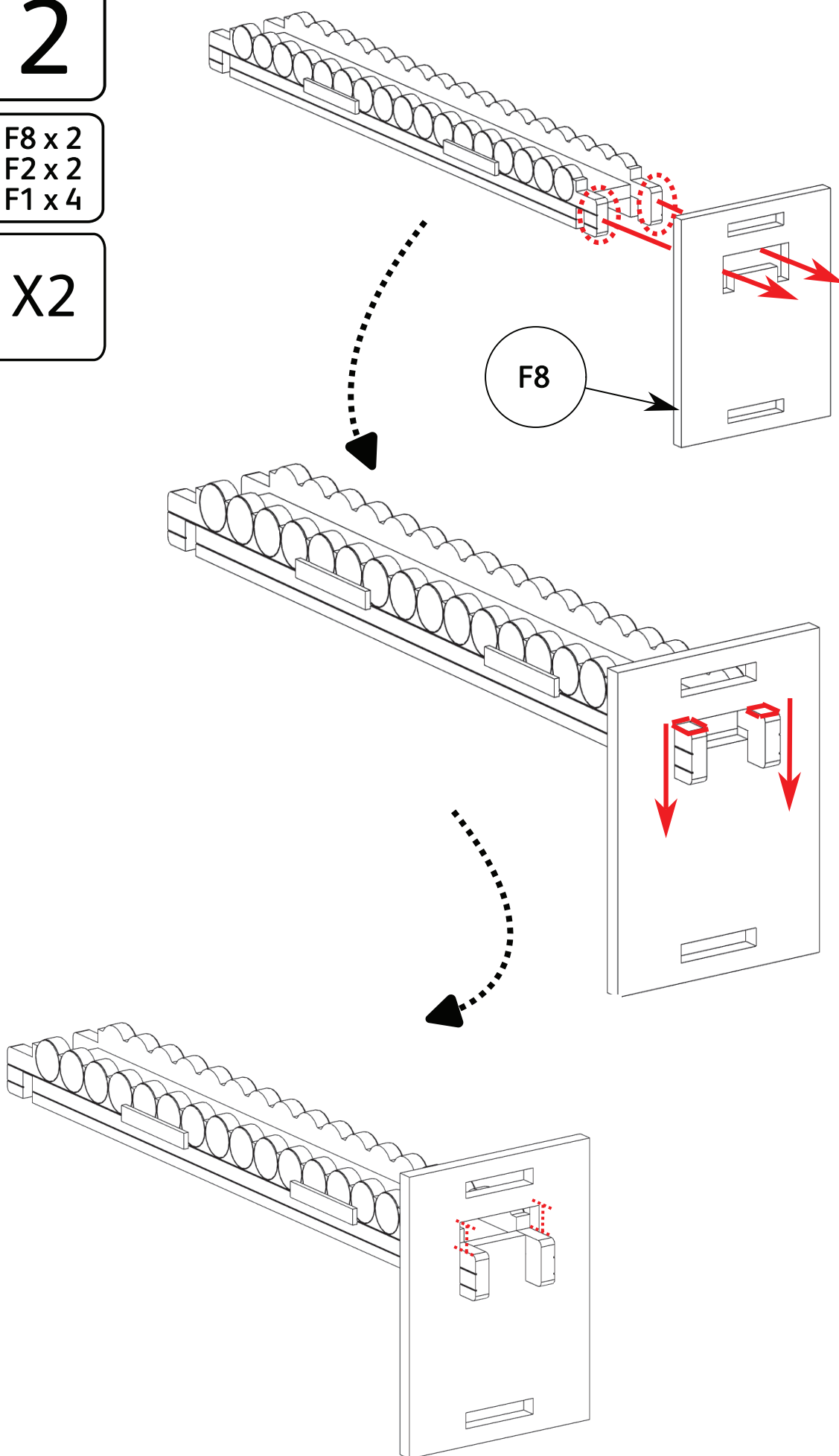
F2



2

F8 x 2
F2 x 2
F1 x 4

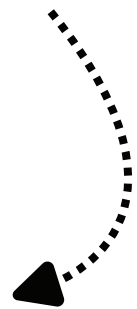
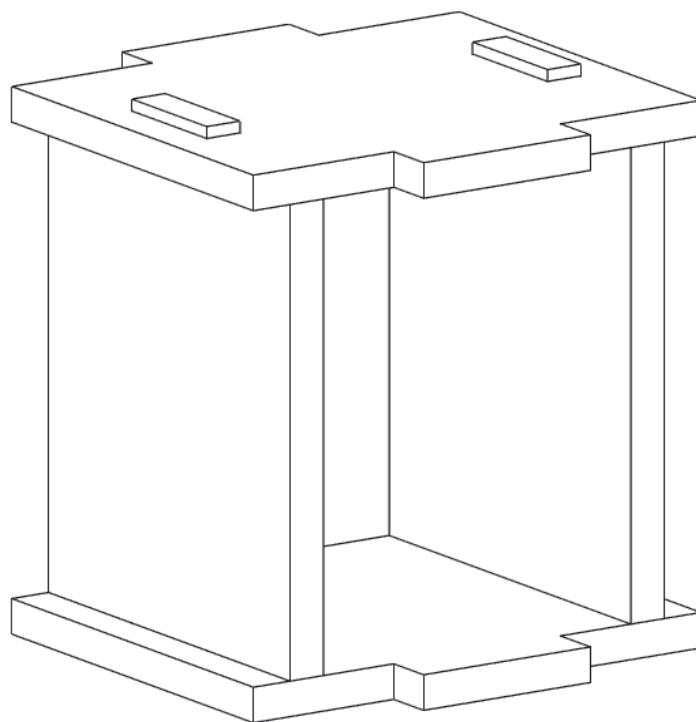
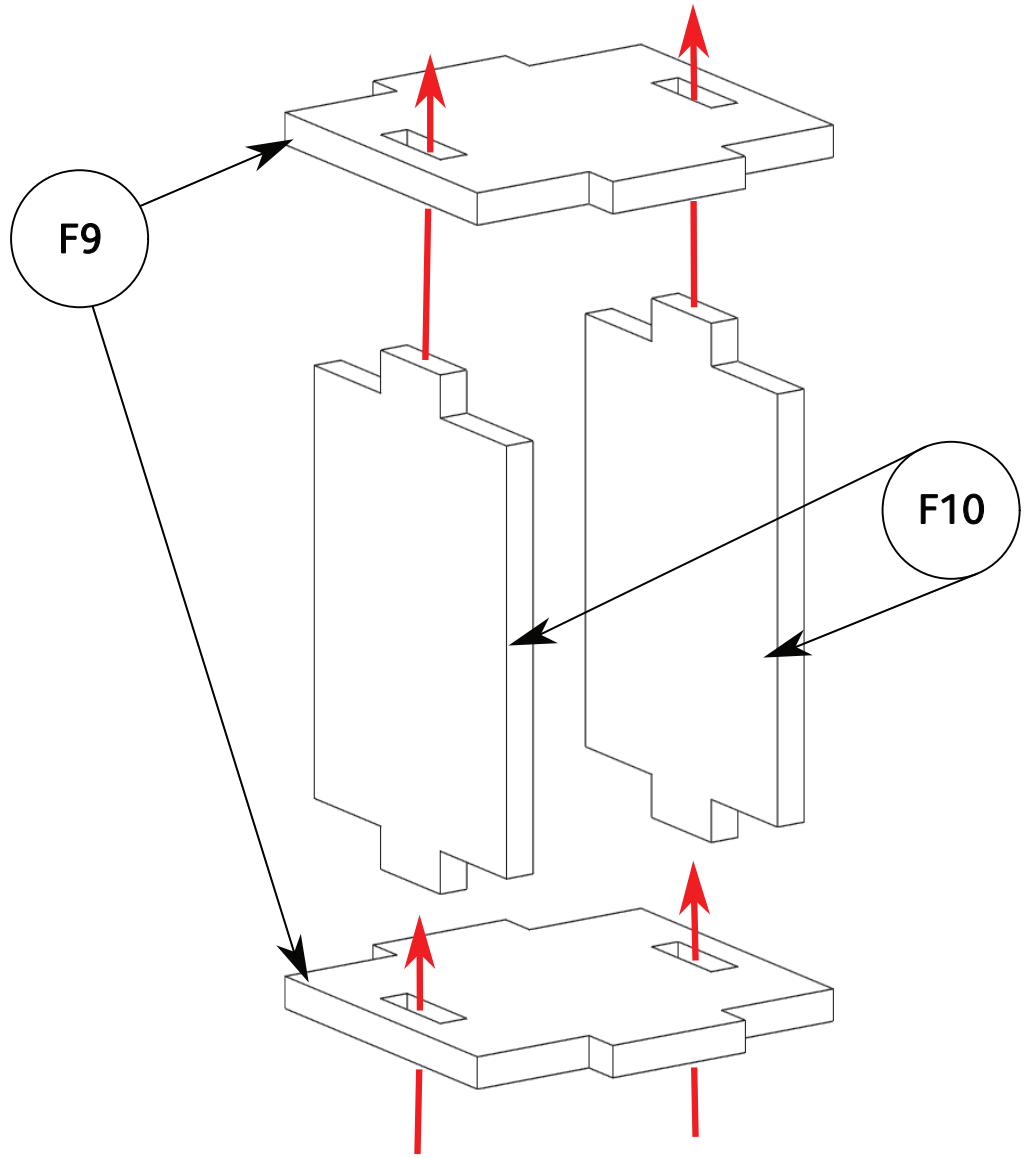
X2



3

X2

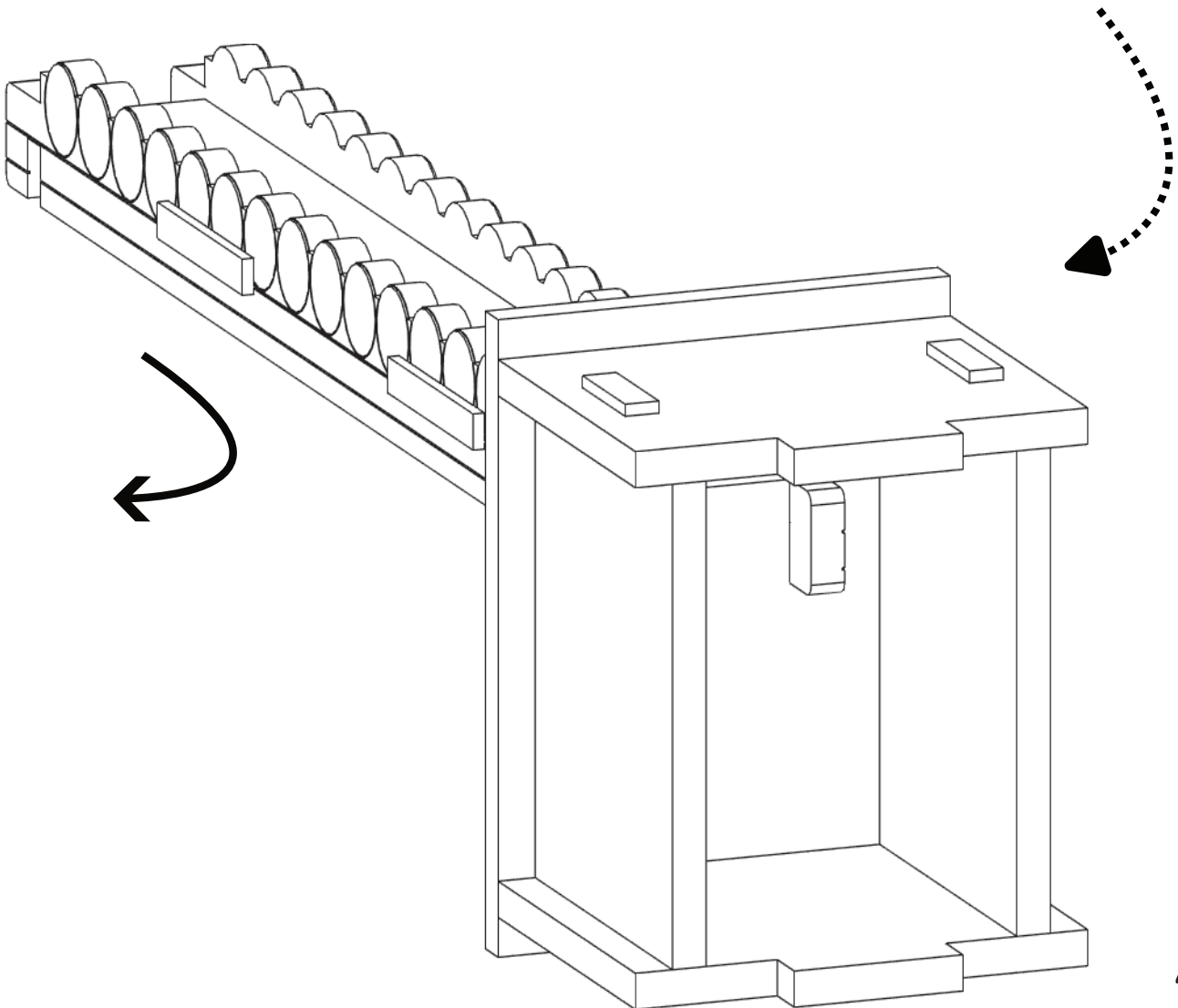
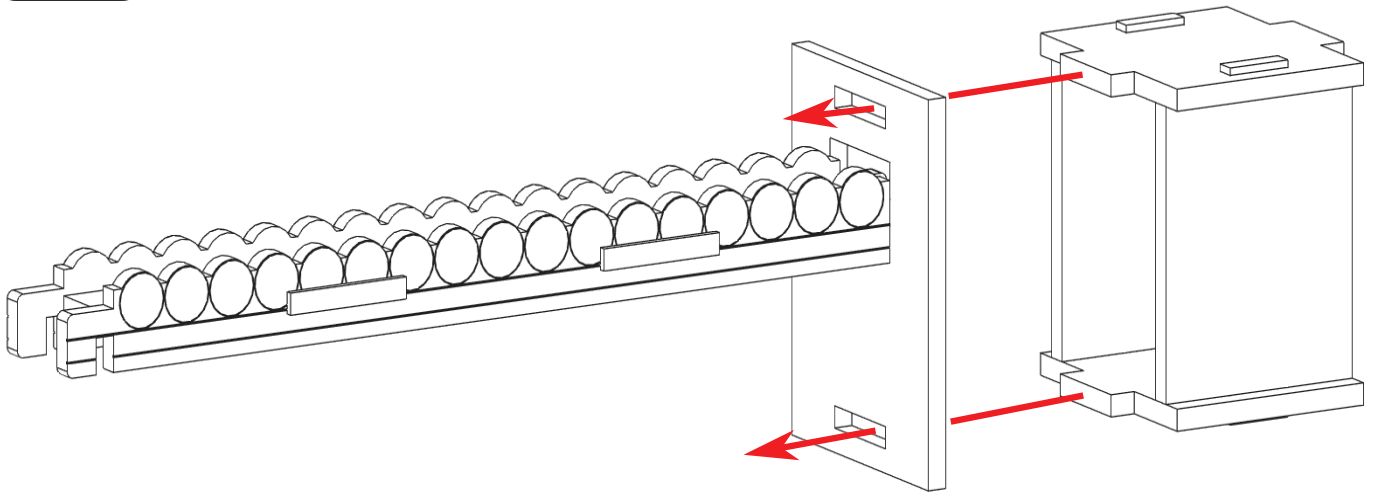
F10 x 4
F9 x 4



4

X2

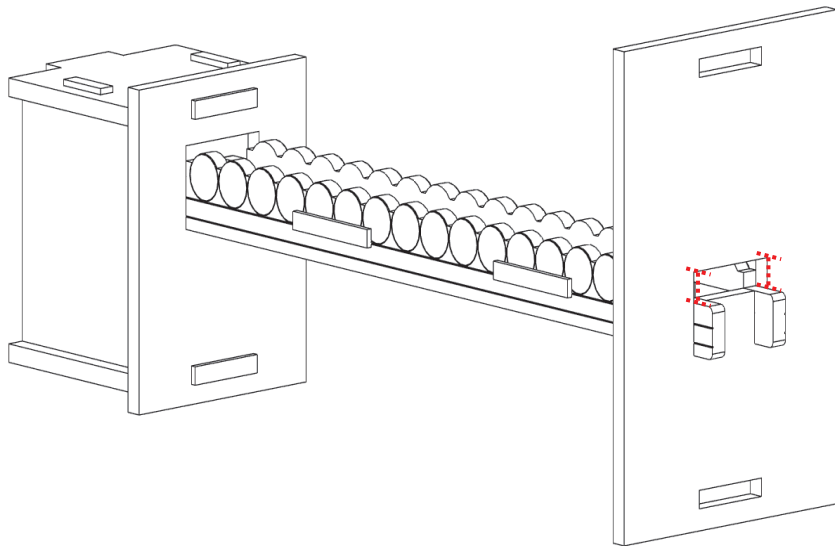
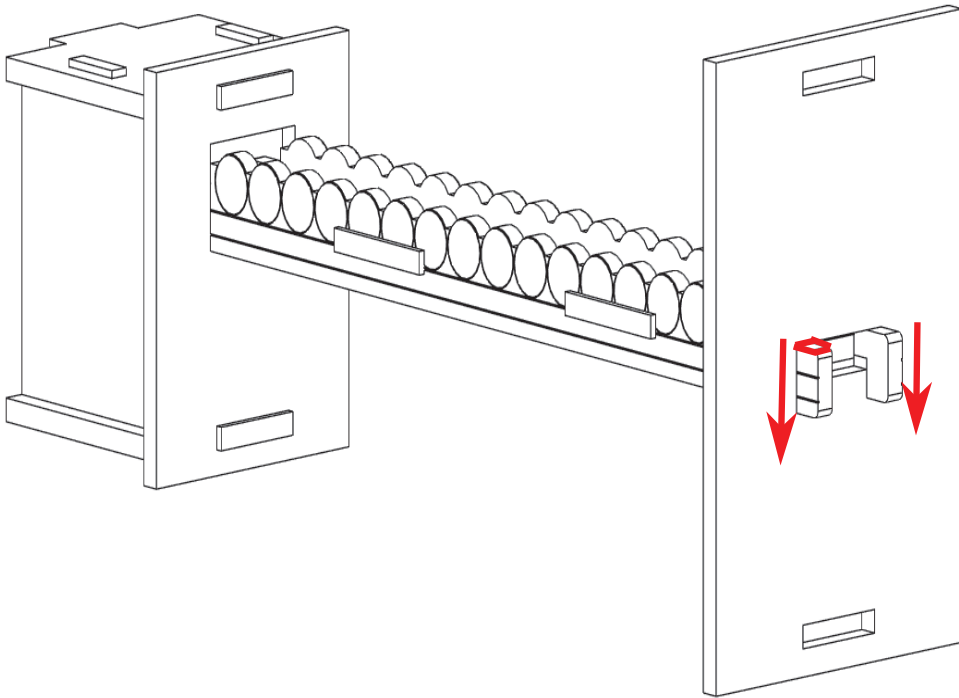
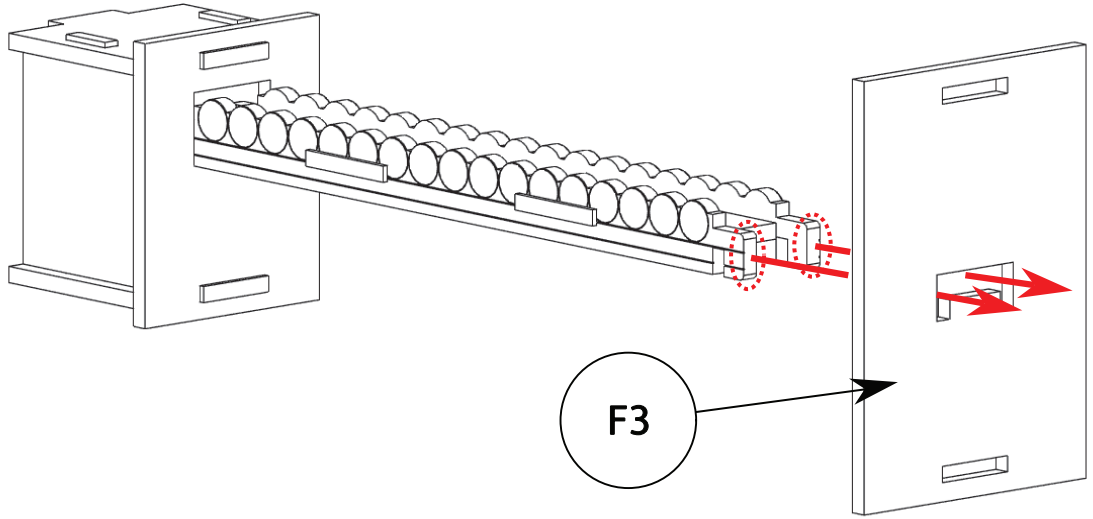
F8 x 2
F2 x 2
F1 x 4
F10 x 4
F9 x 4



5

F3 x 2

X2

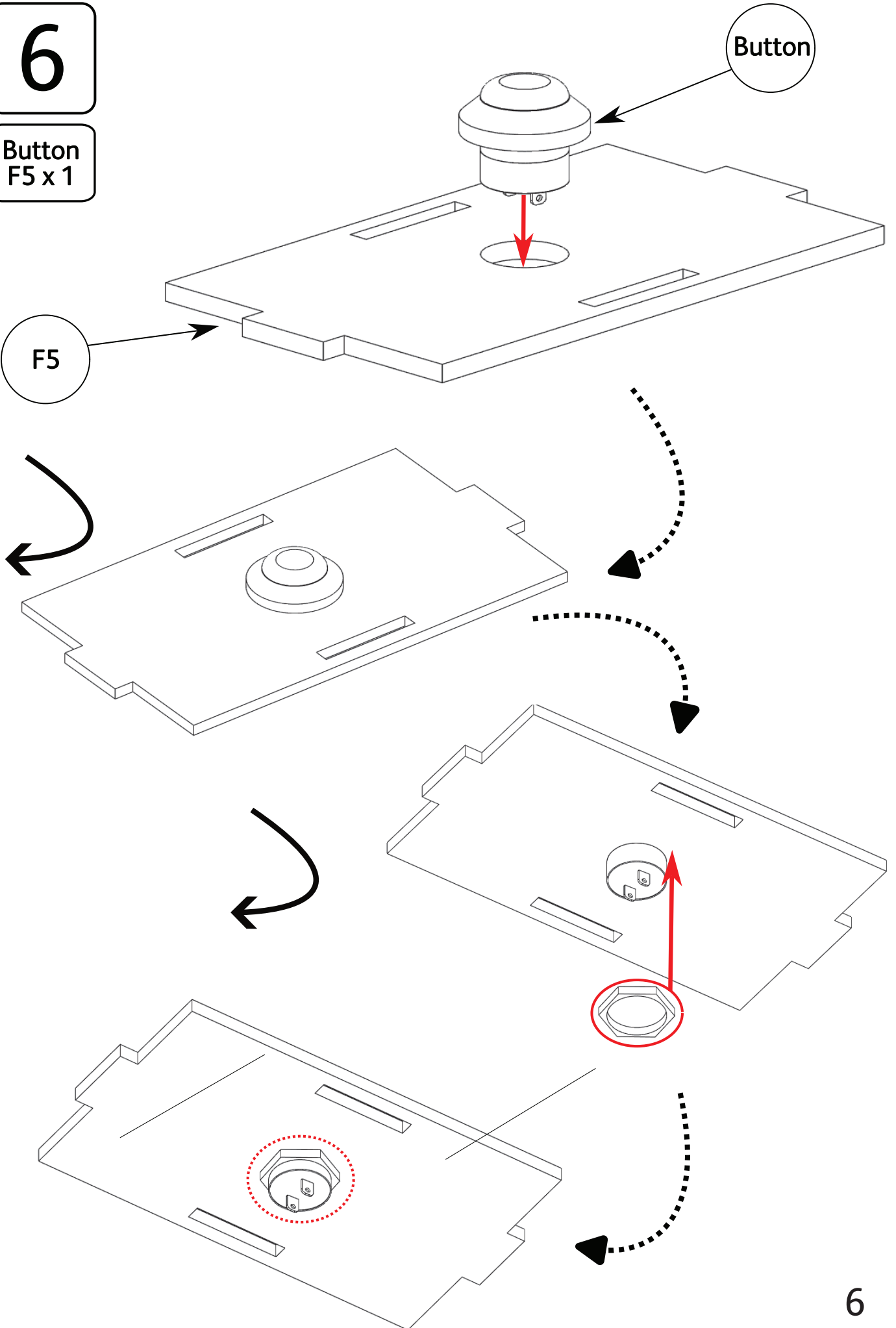


6

Button
F5 x 1

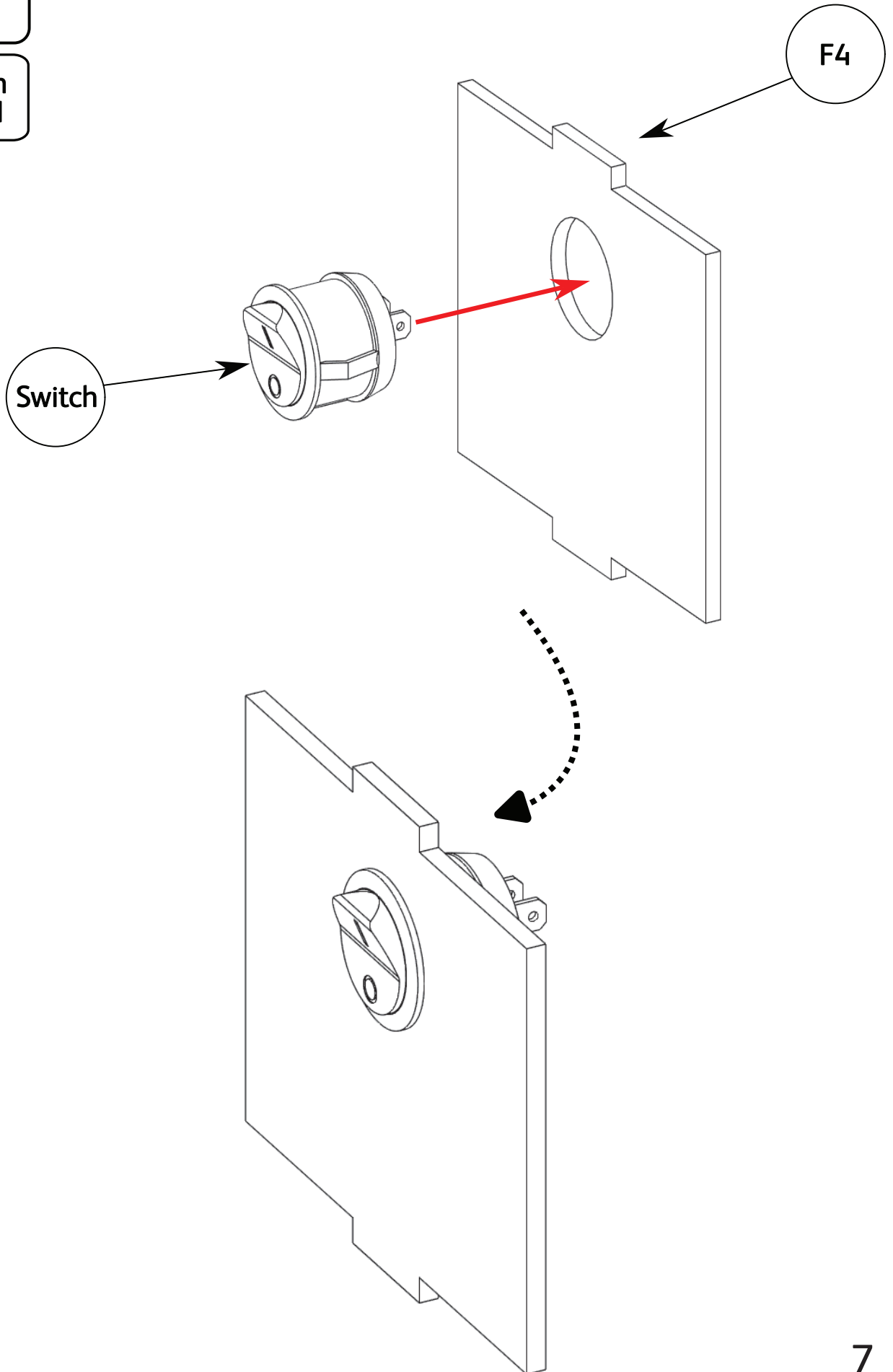
Button

F5



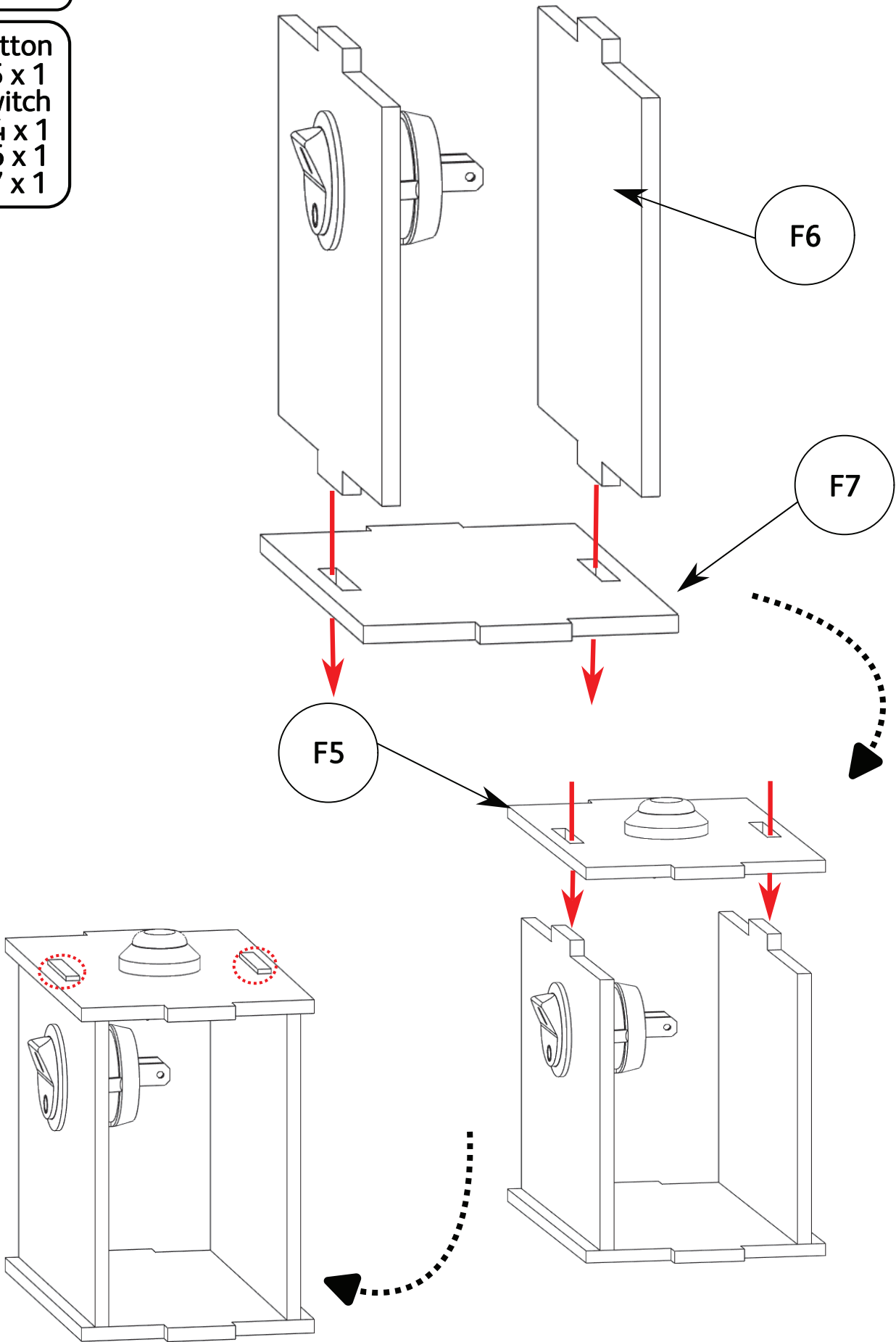
7

Switch
F4 x 1



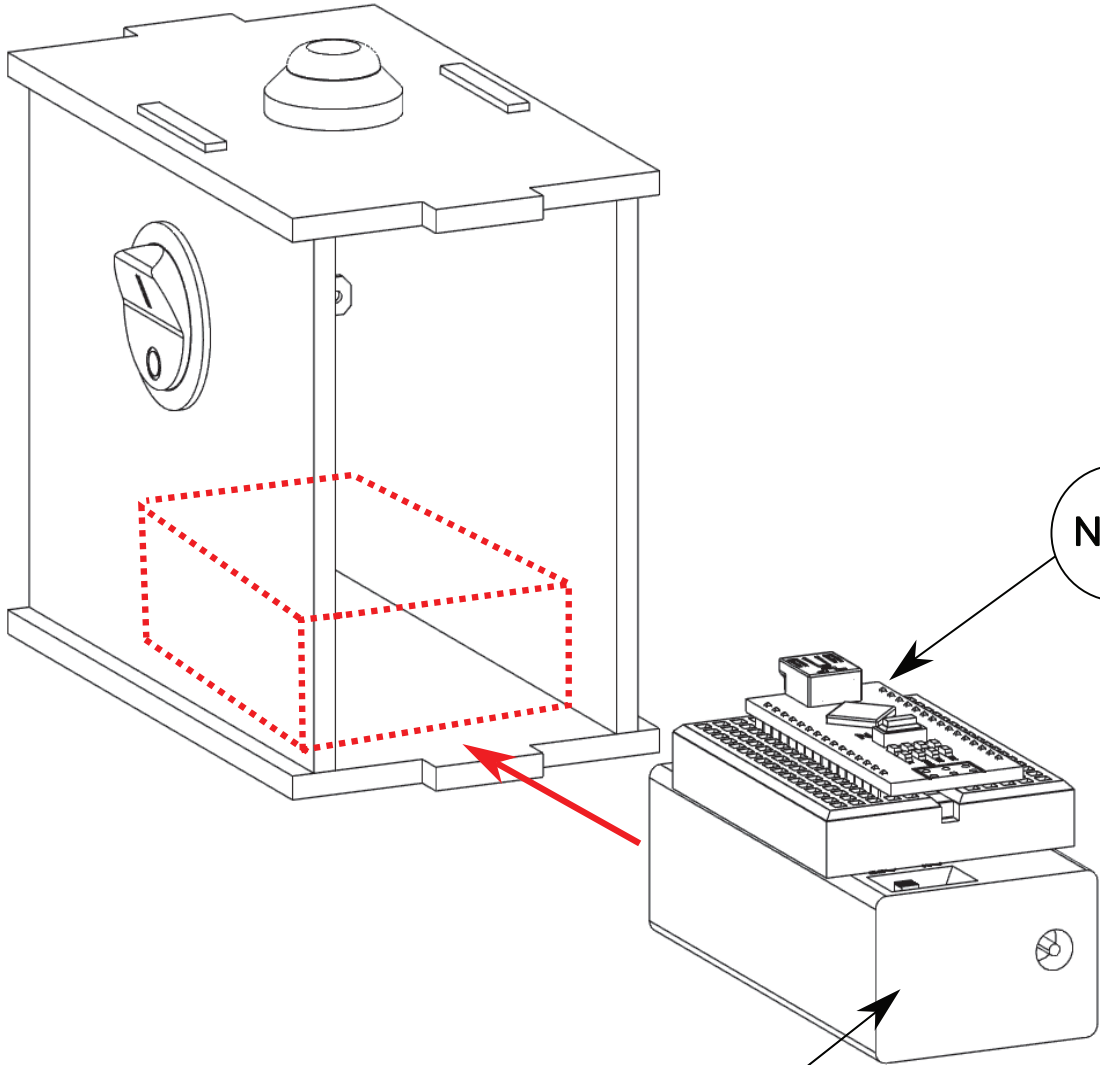
8

Button
F5 x 1
Switch
F4 x 1
F6 x 1
F7 x 1



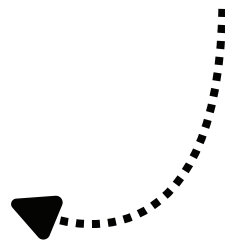
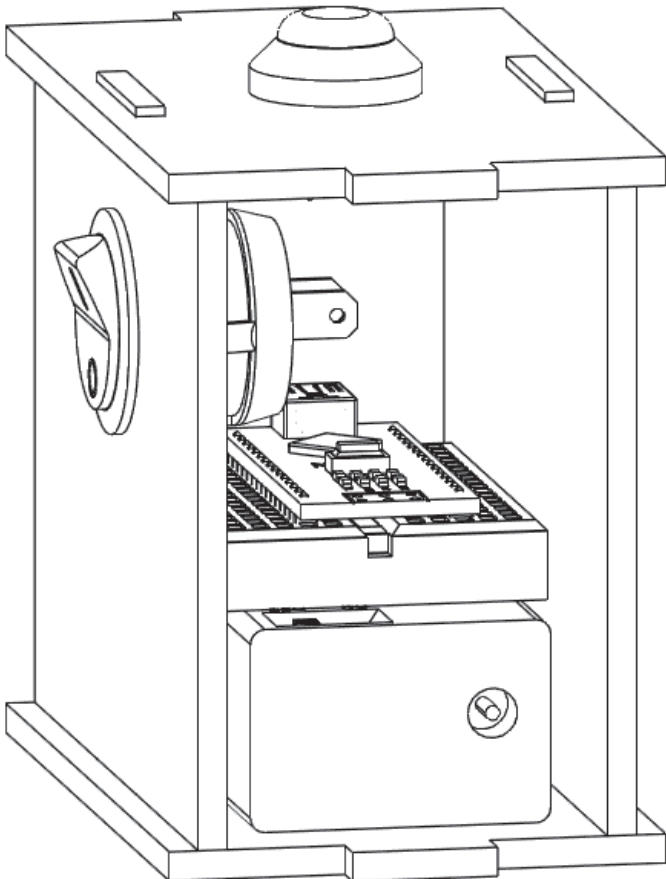
9

Nano
+
Breadboard
Battery



Nano

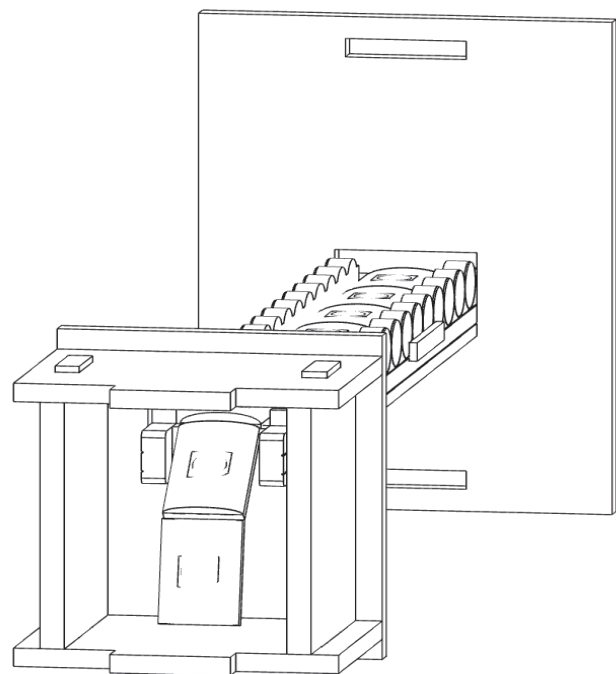
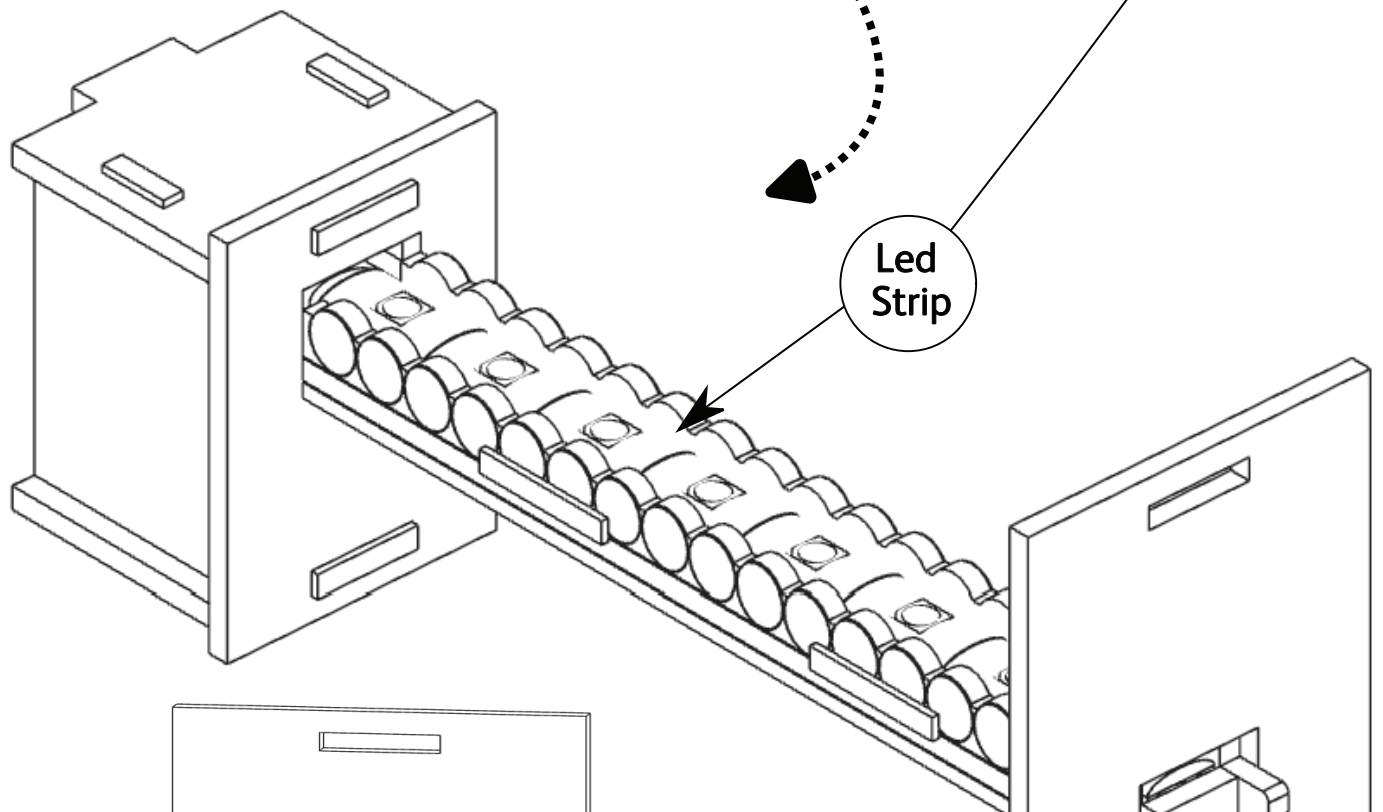
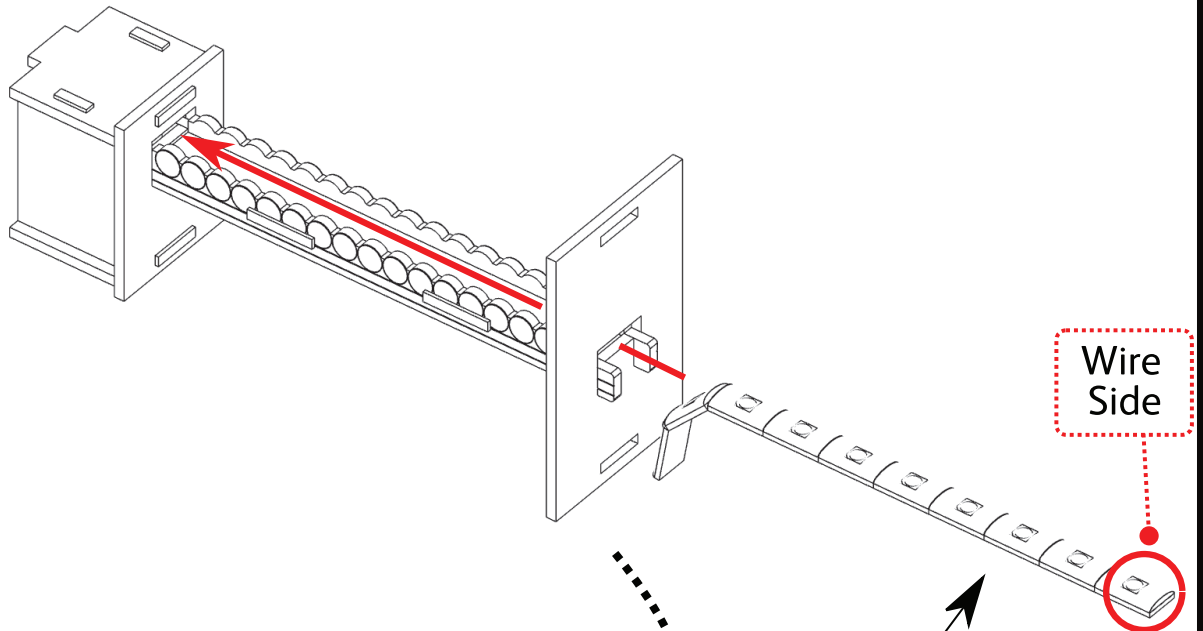
Battery

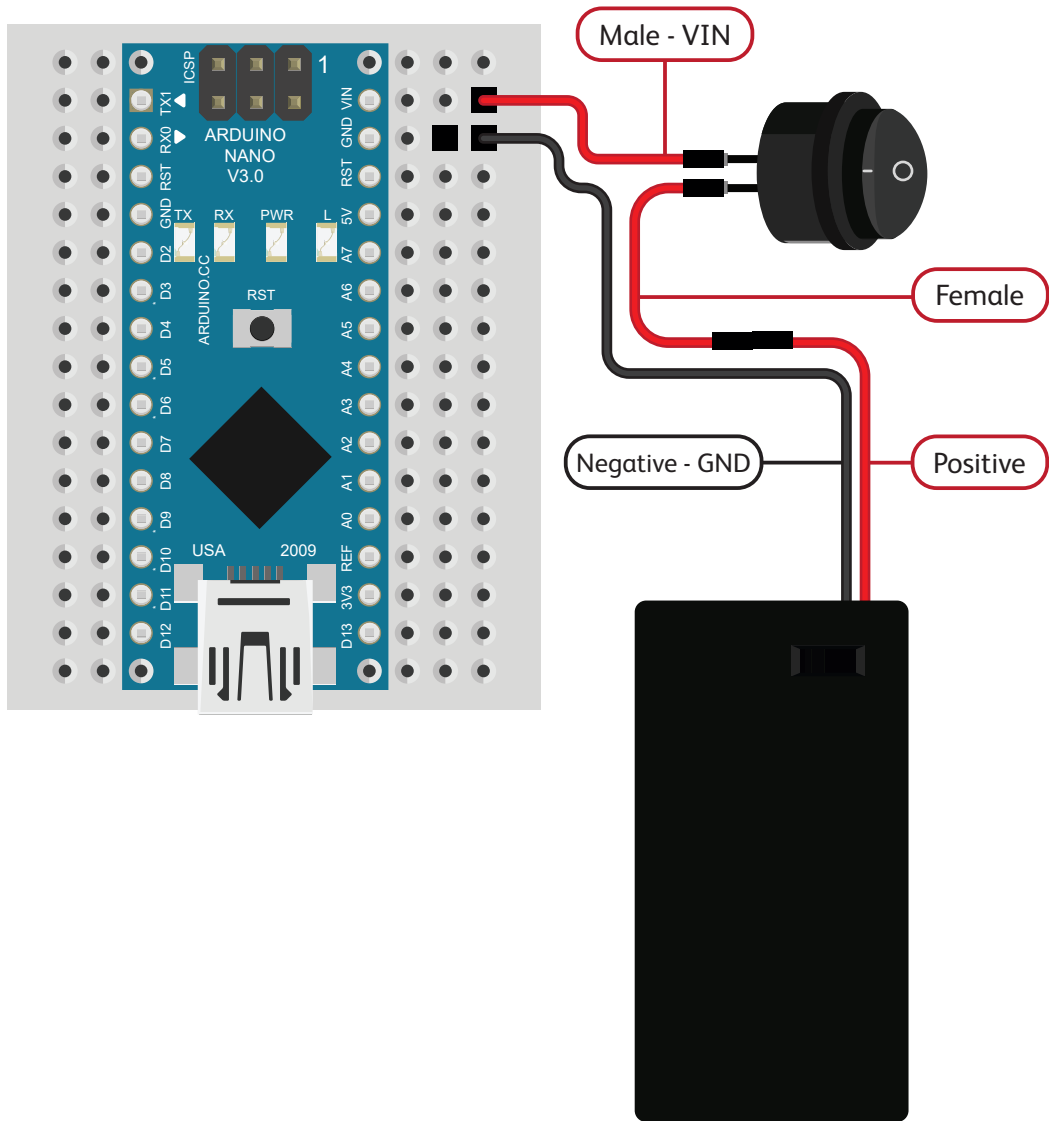
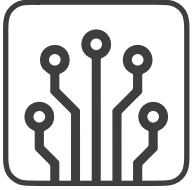


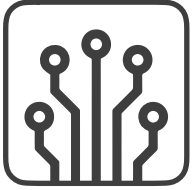
10

Led Strip
X2

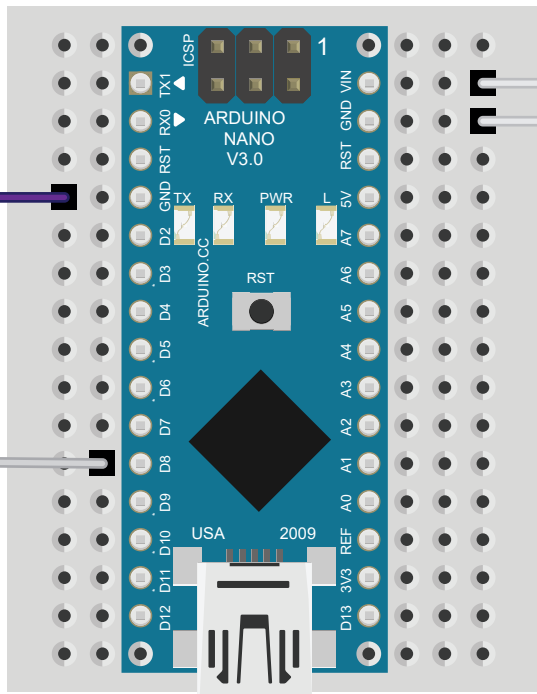
X2



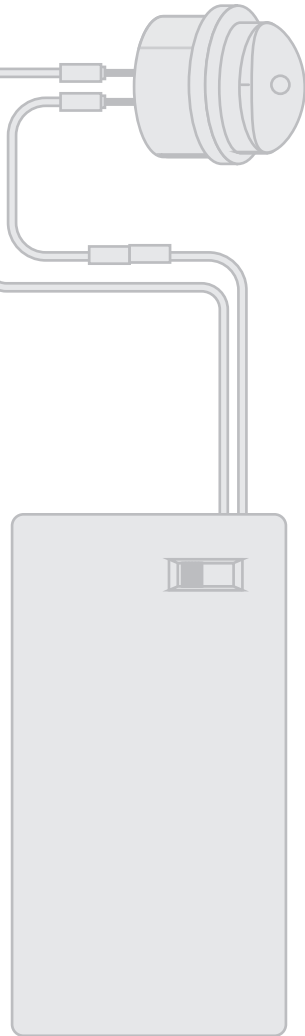


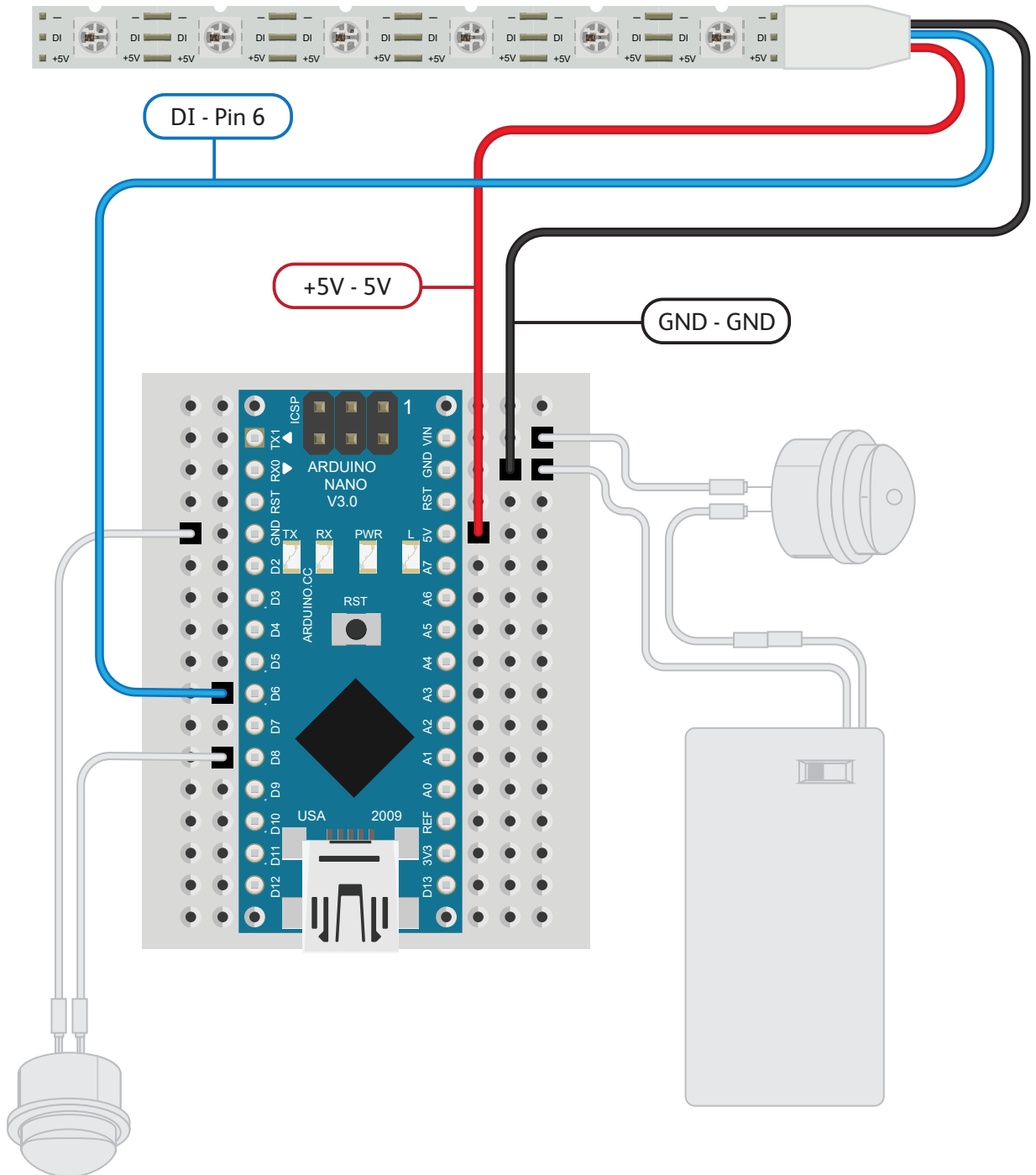
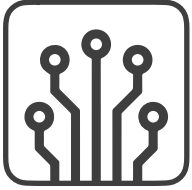


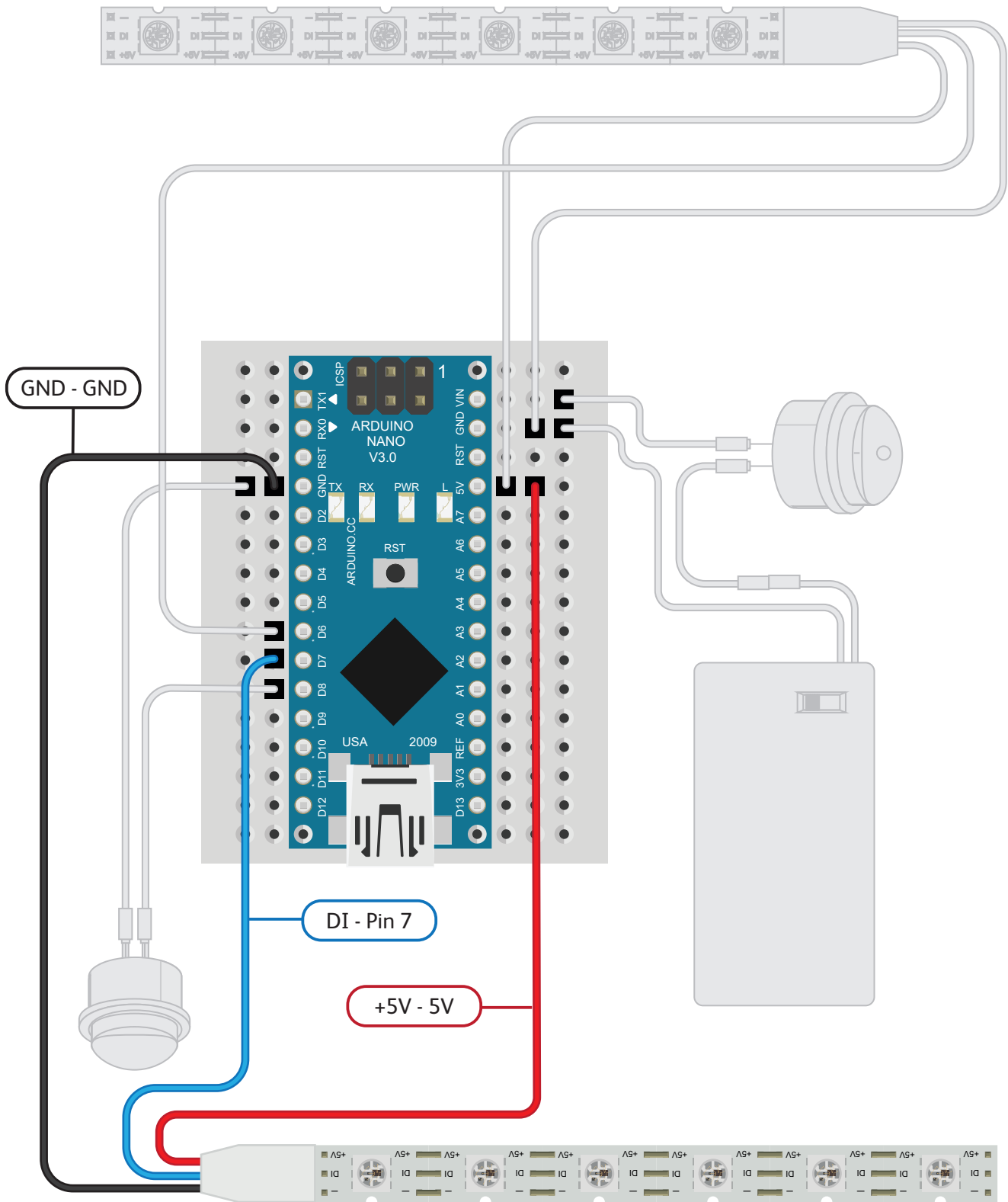
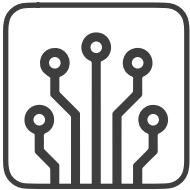
Negative - GND



Positive - Pin 8





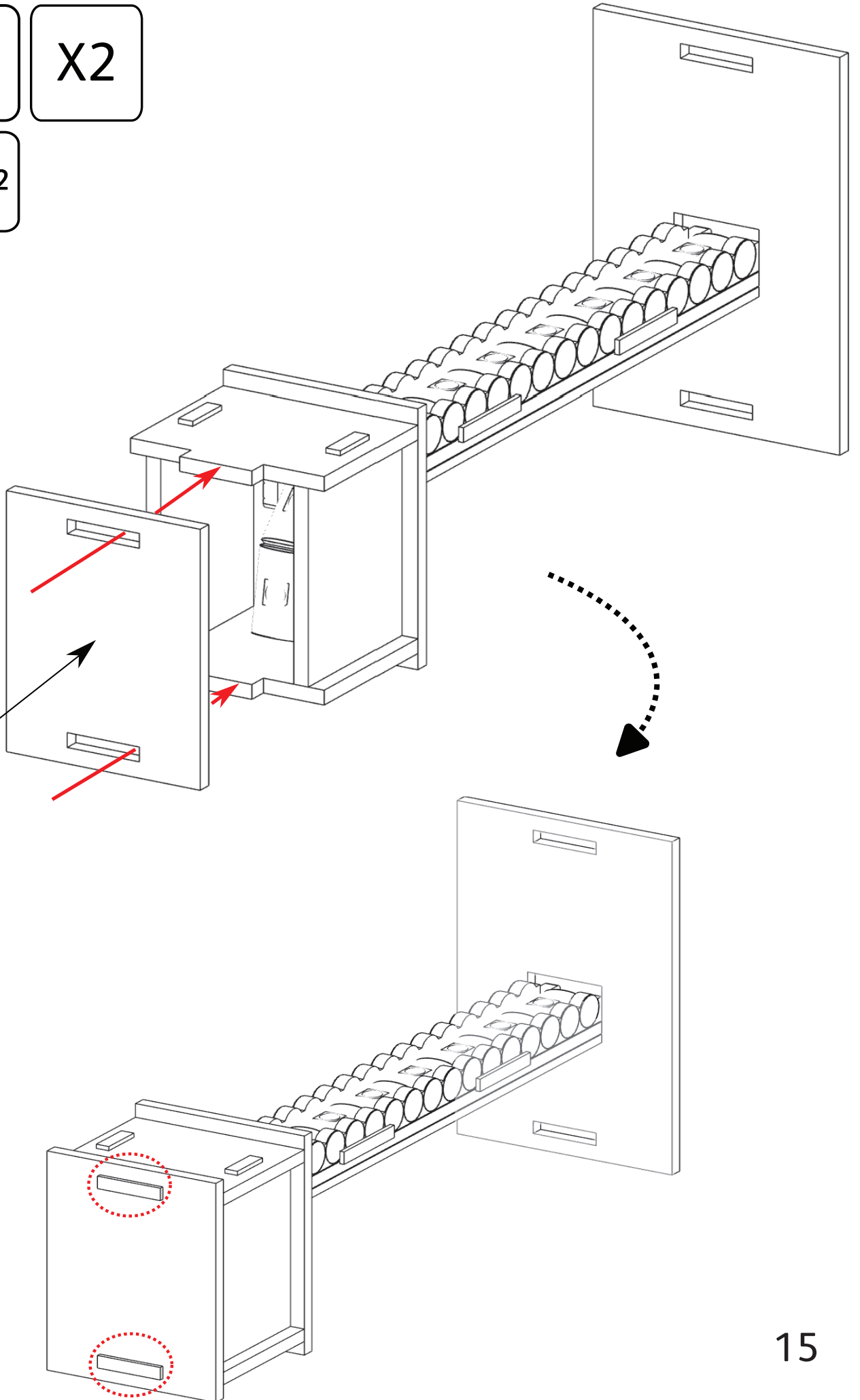


11

X2

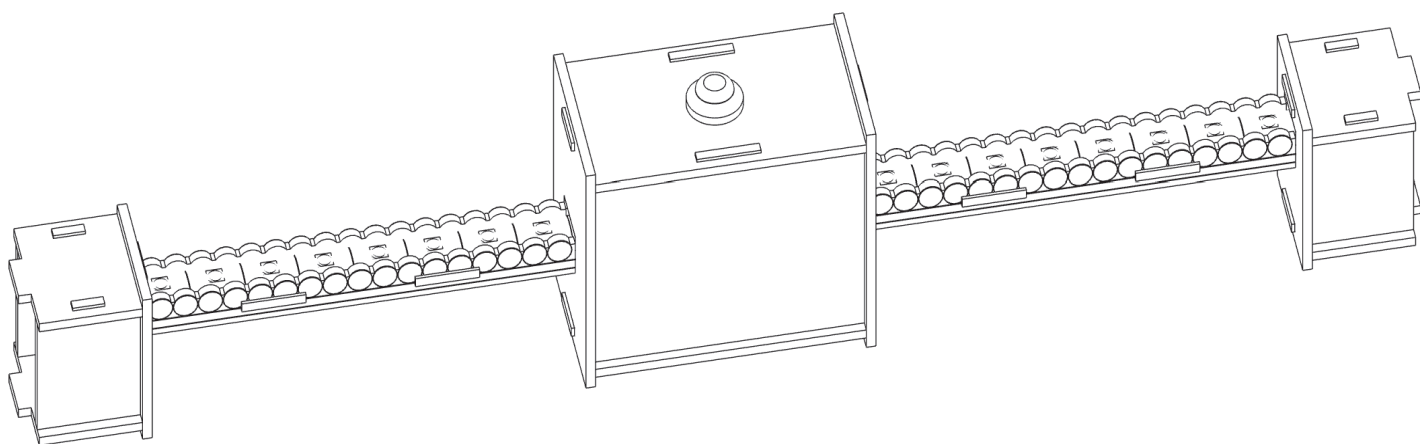
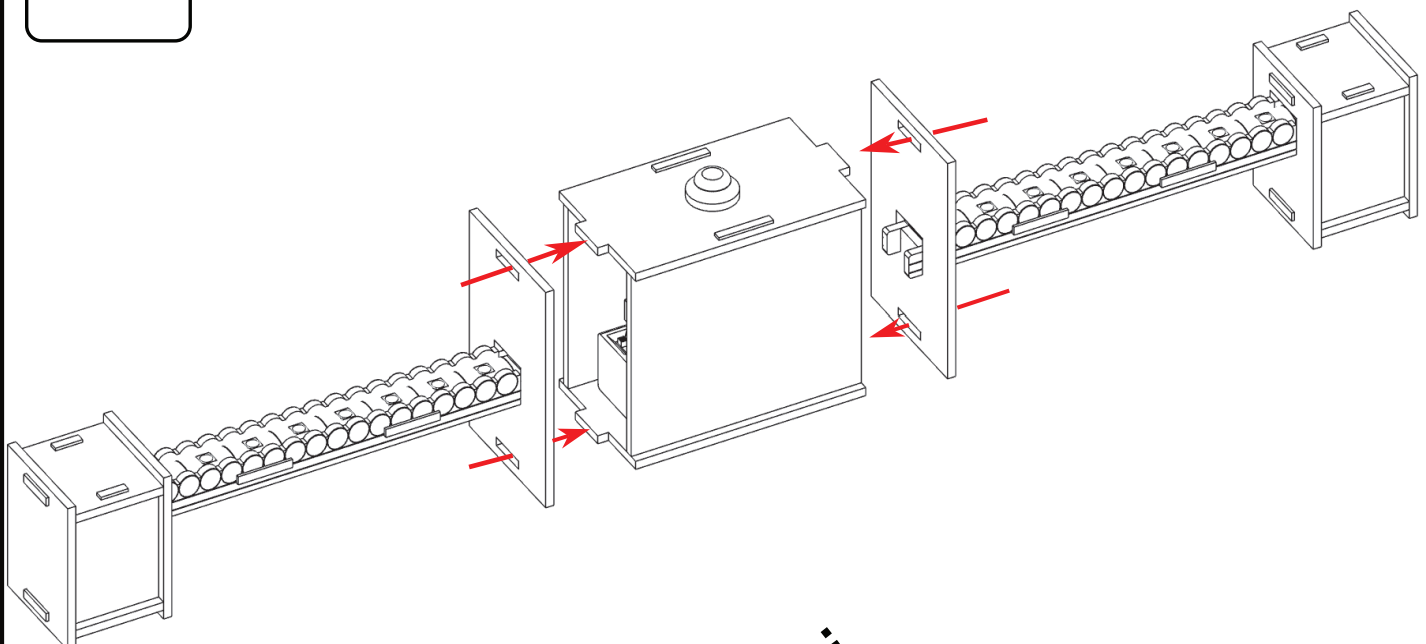
F11 x 2

F11



12

All parts





Powered by
Rewise

Romania, 2024