



GFG
FOUNDATION

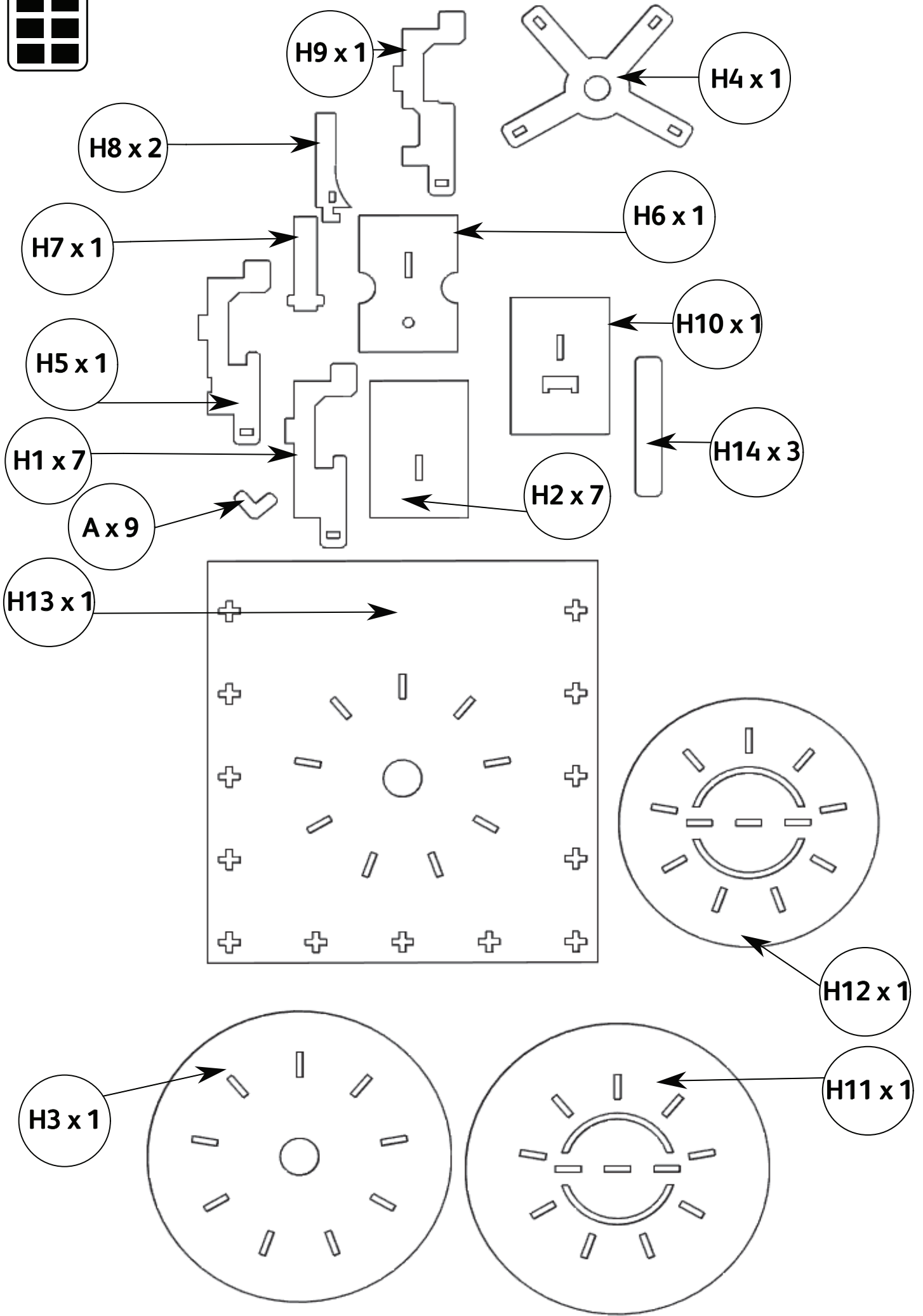
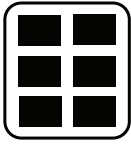
Powered by
Rewise

GFG Foundation Provocarea STEAM

Cuptor Electric Cu Arc

România



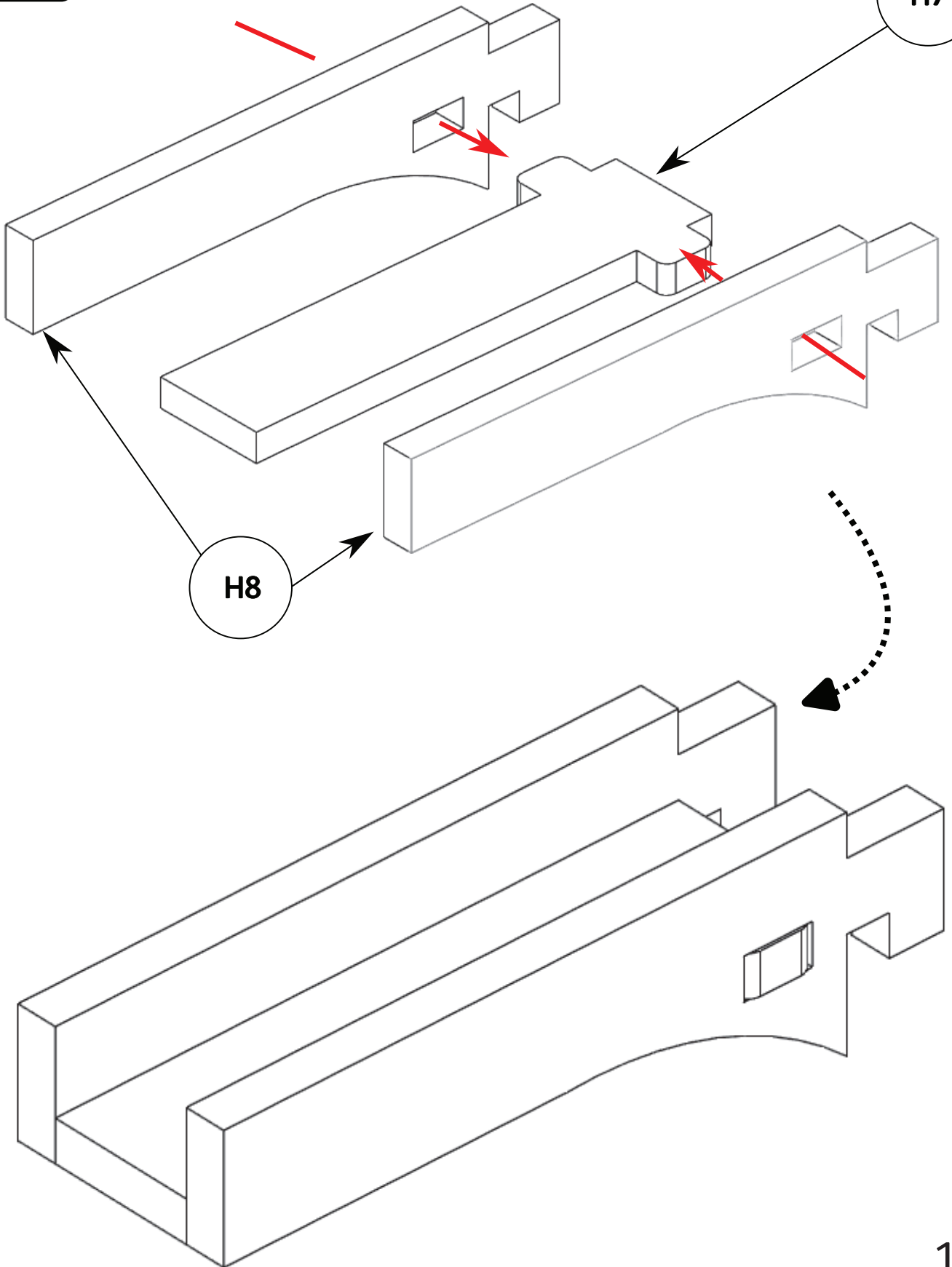


1

H7 x 1
H8 x 2

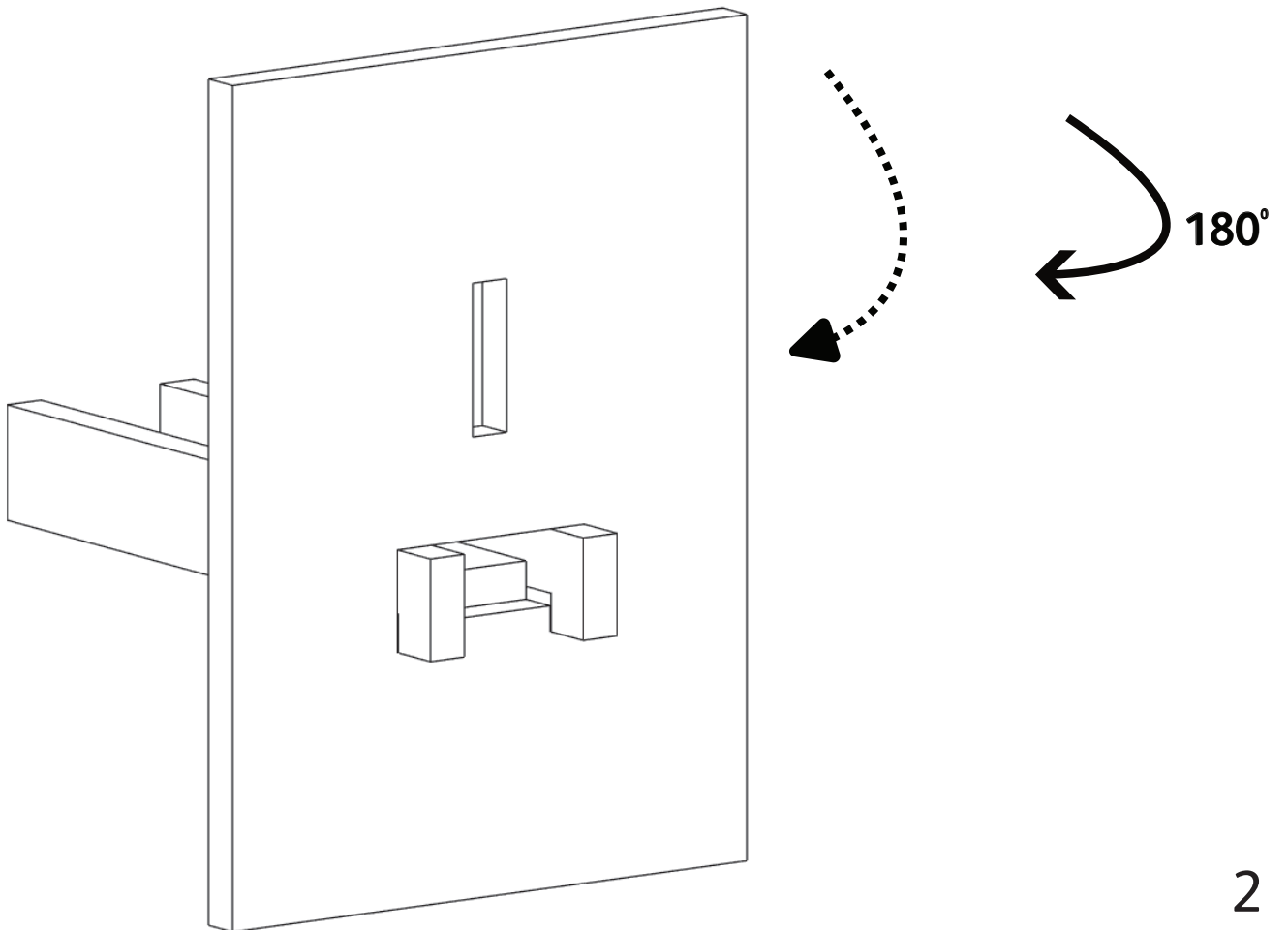
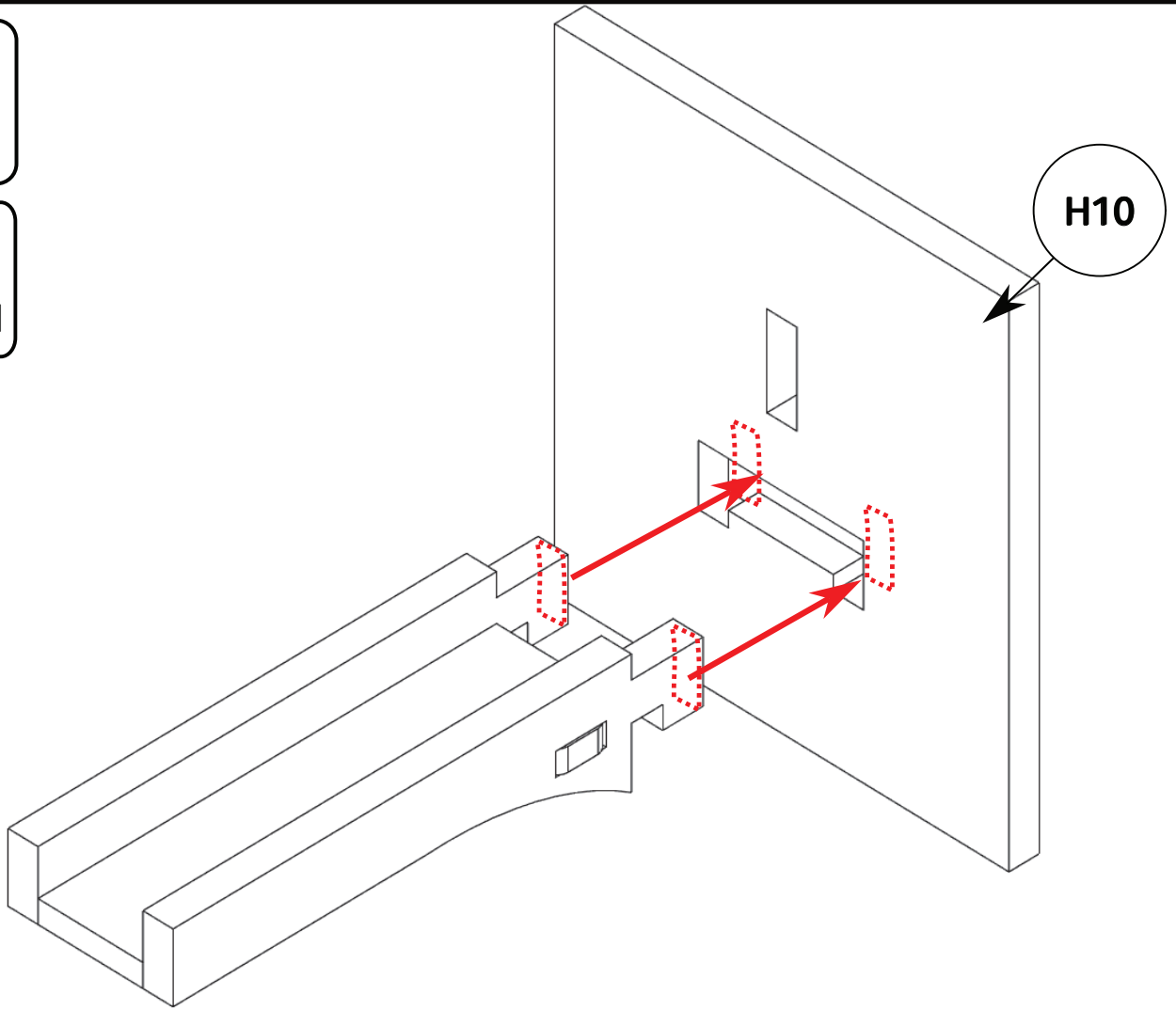
H7

H8



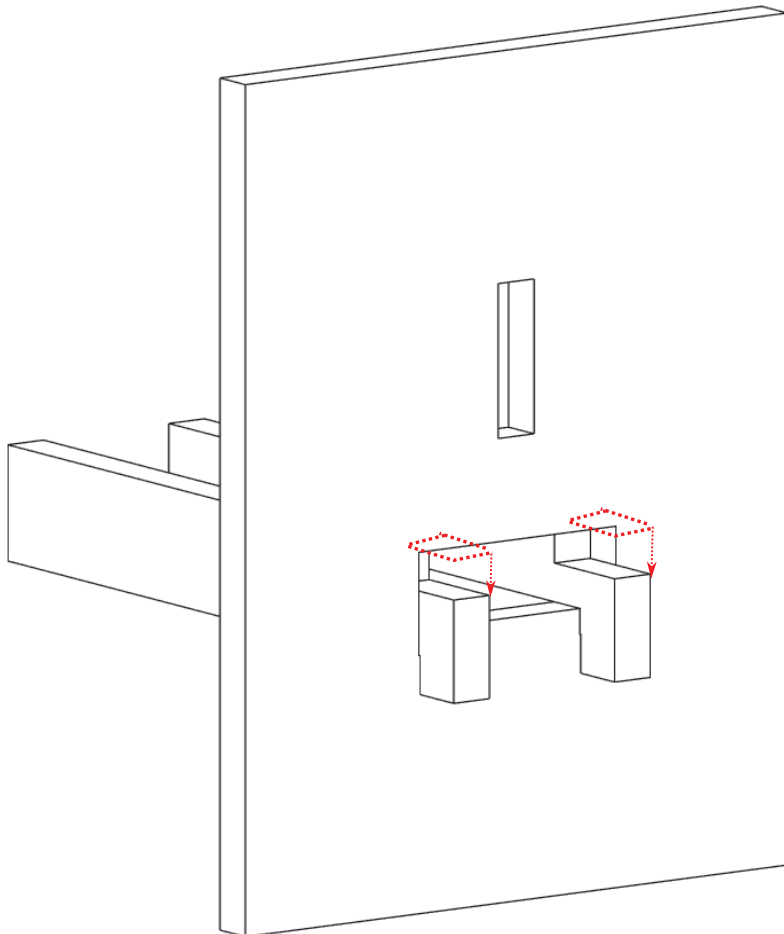
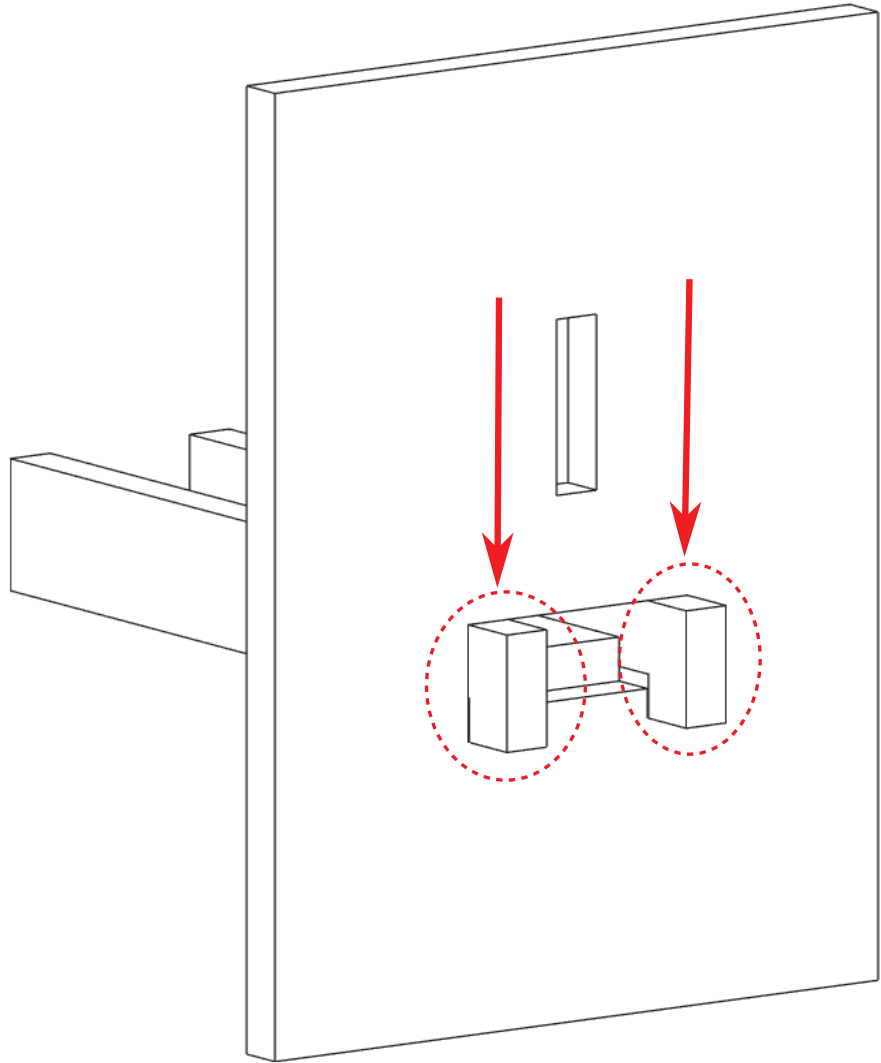
2

H7 x 1
H8 x 2
H10 x 1



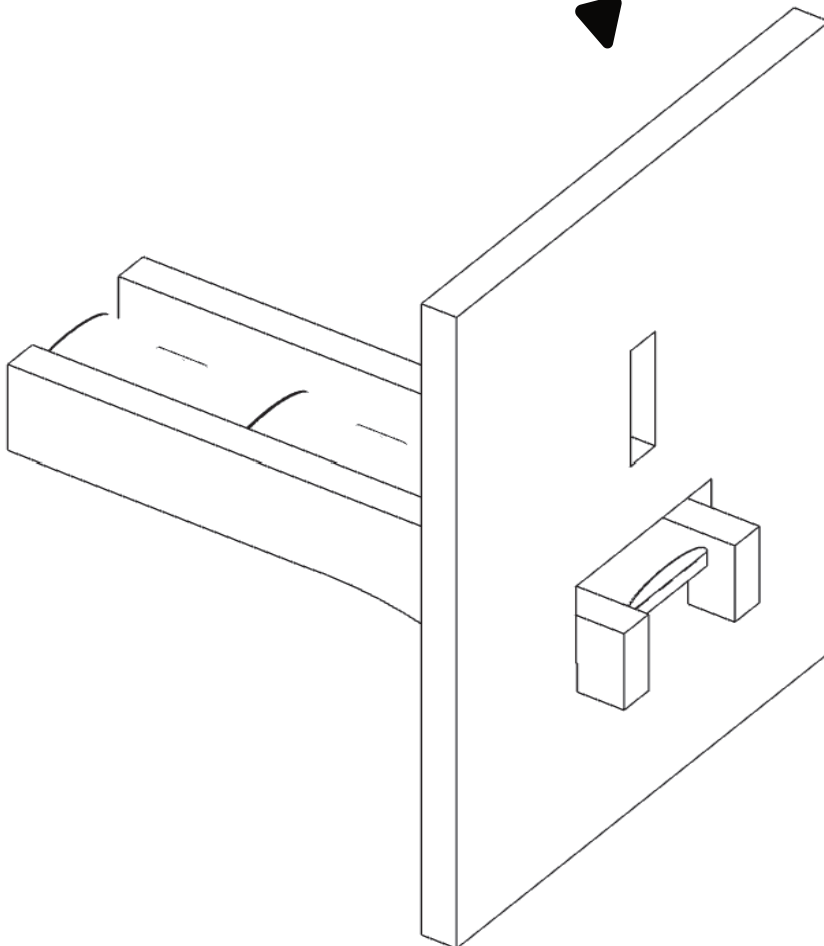
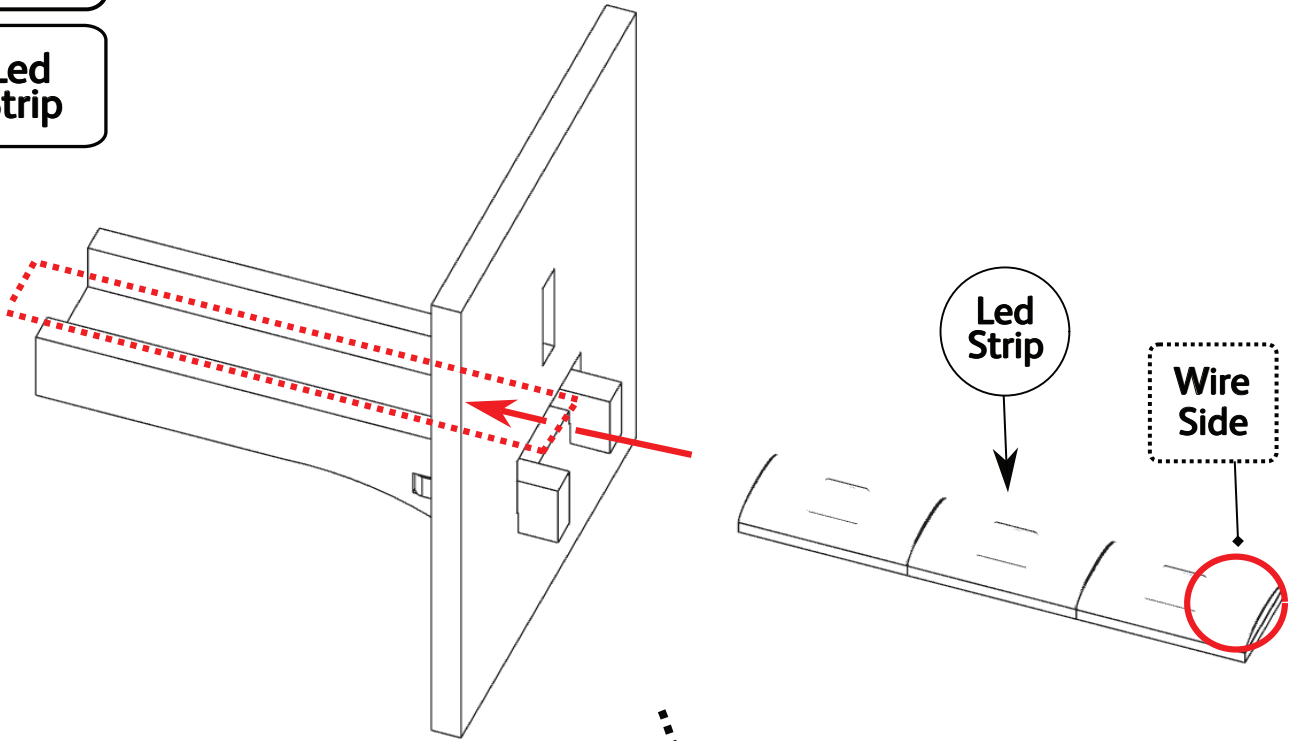
3

H7 x 1
H8 x 2
H10 x 1



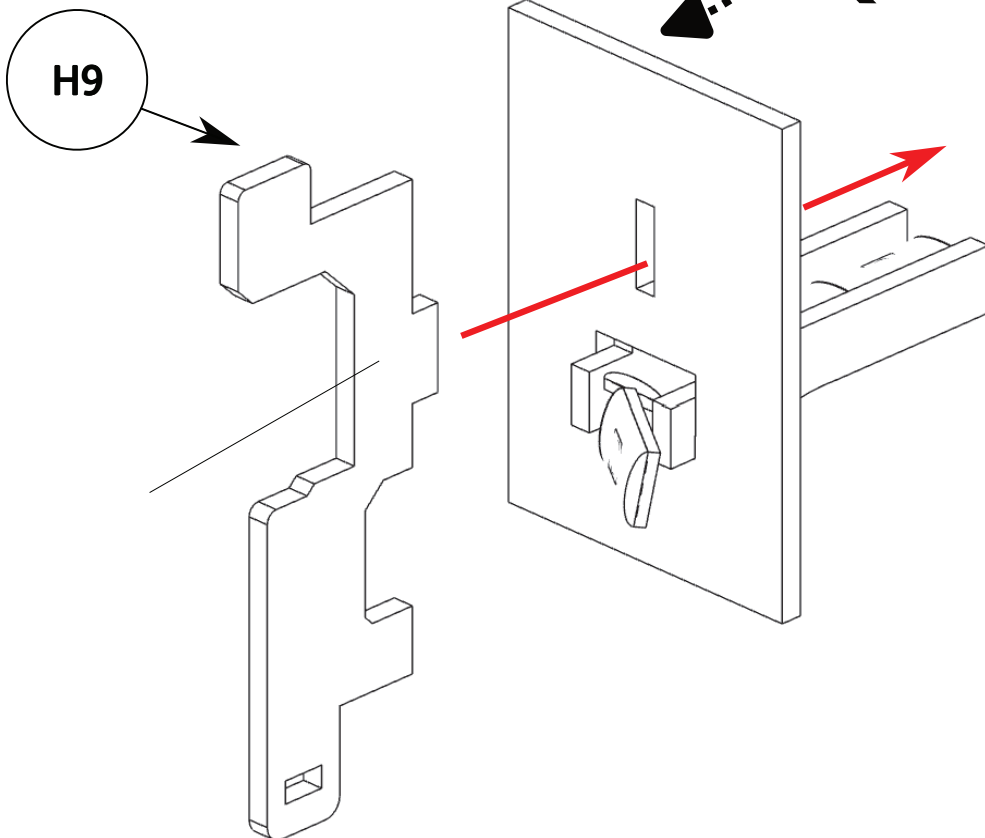
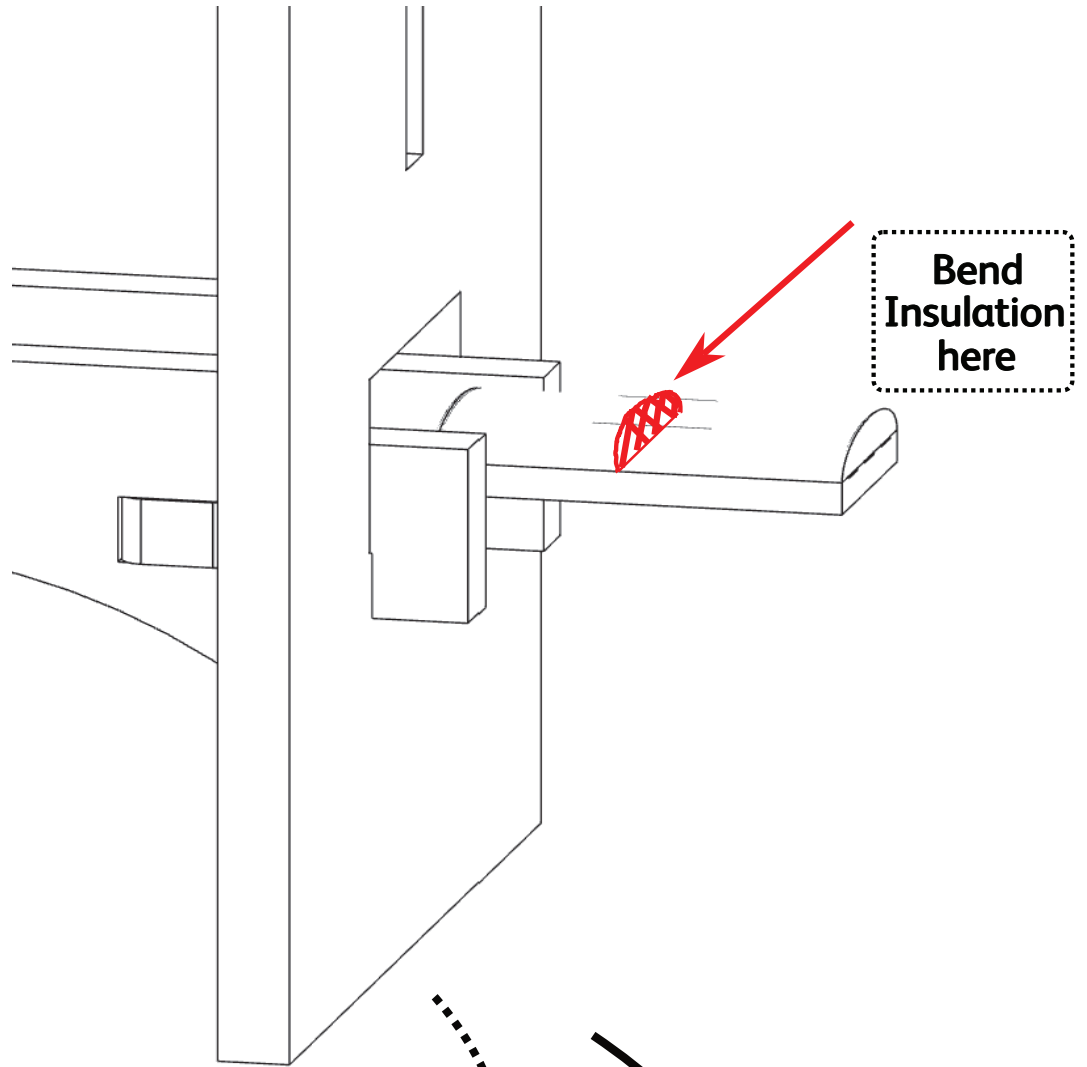
4

Led Strip



5

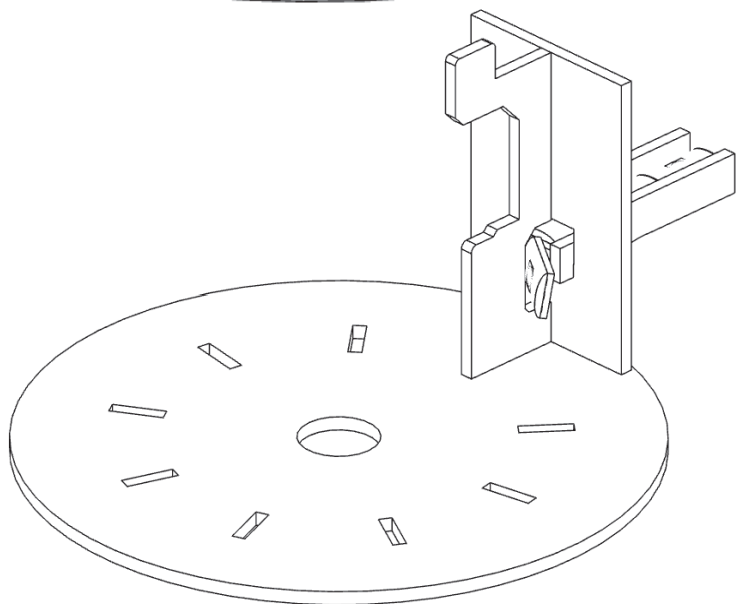
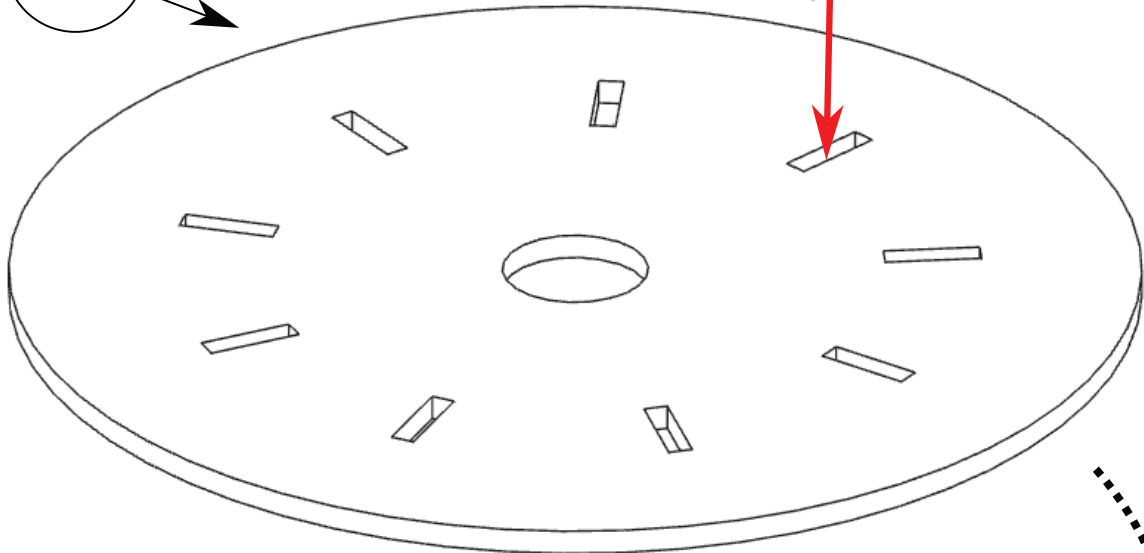
Led Strip
H9 x 1



6

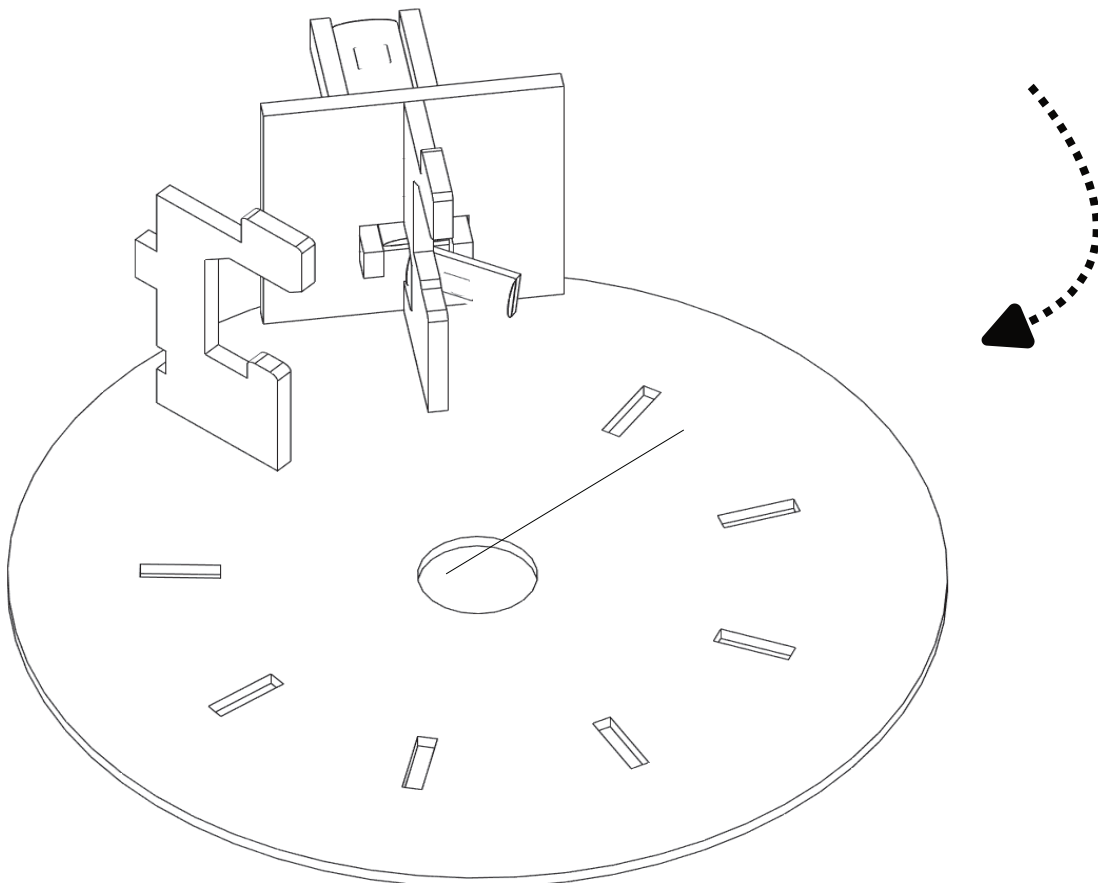
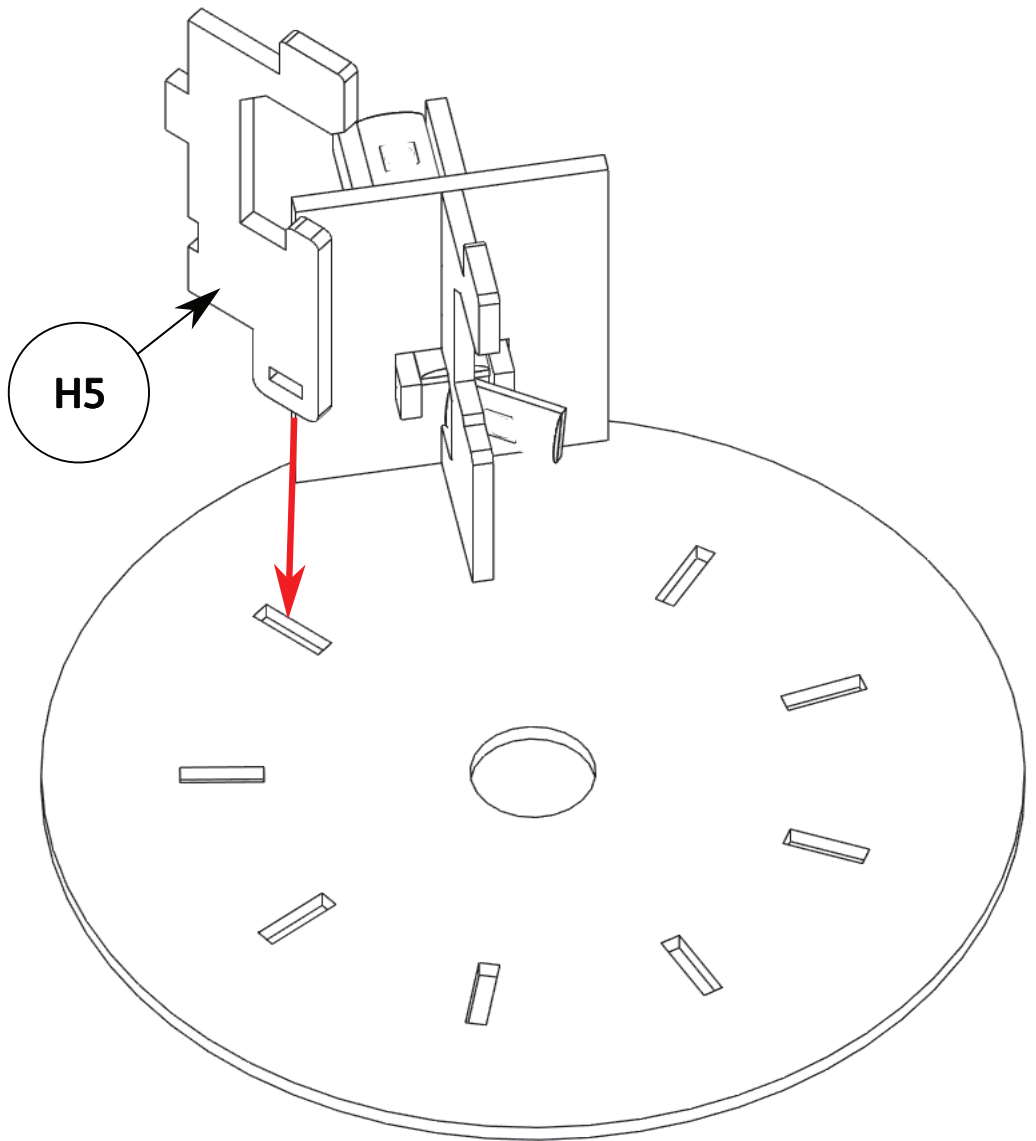
H3 x 1

H3



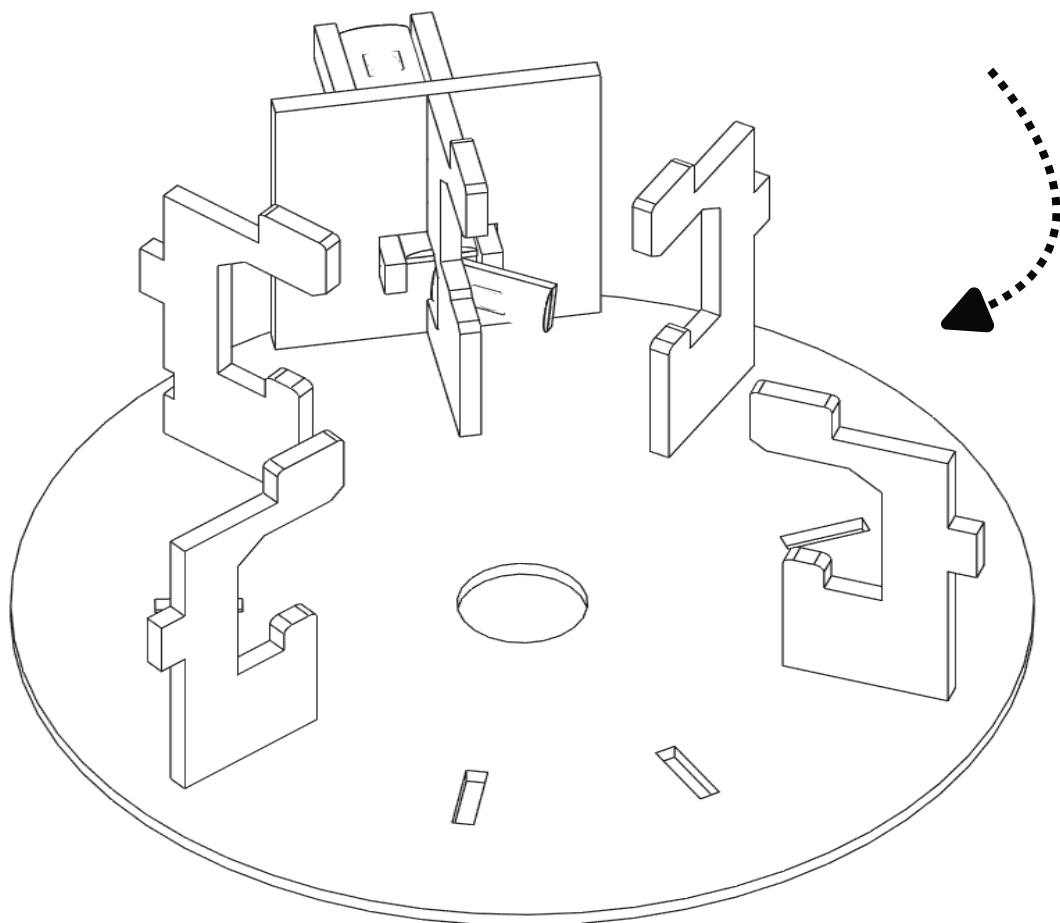
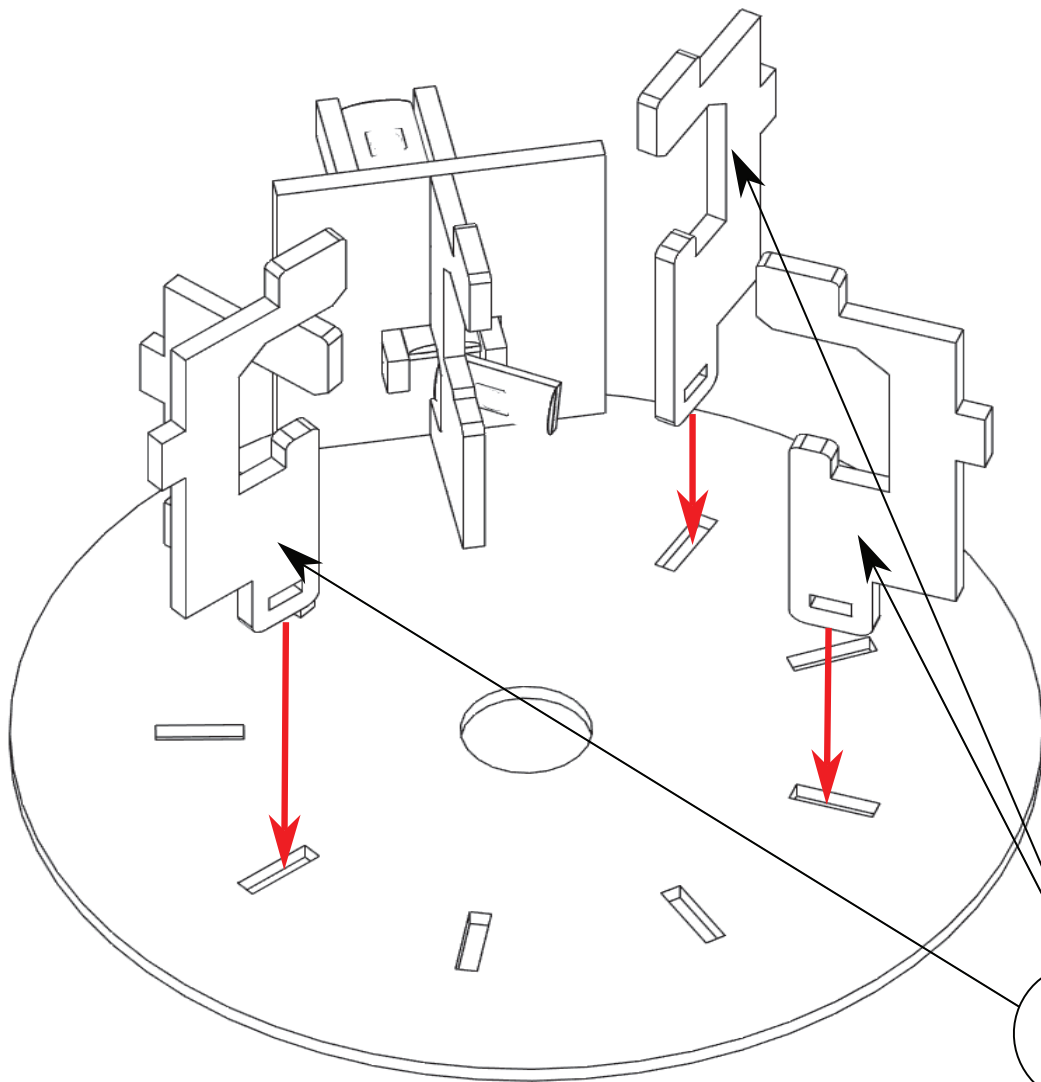
7

H5 x 1



8

H1 x 3

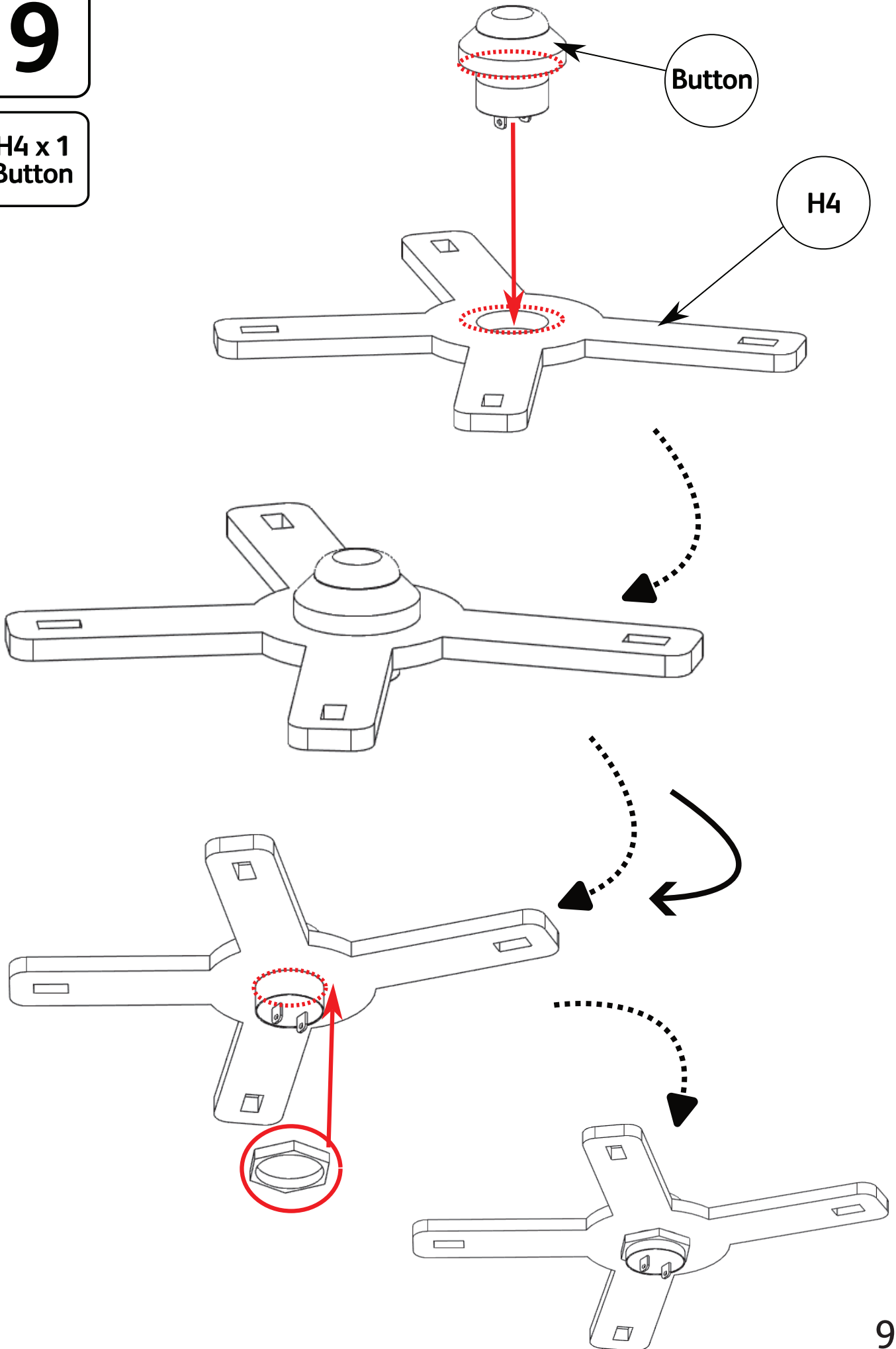


9

H4 x 1
Button

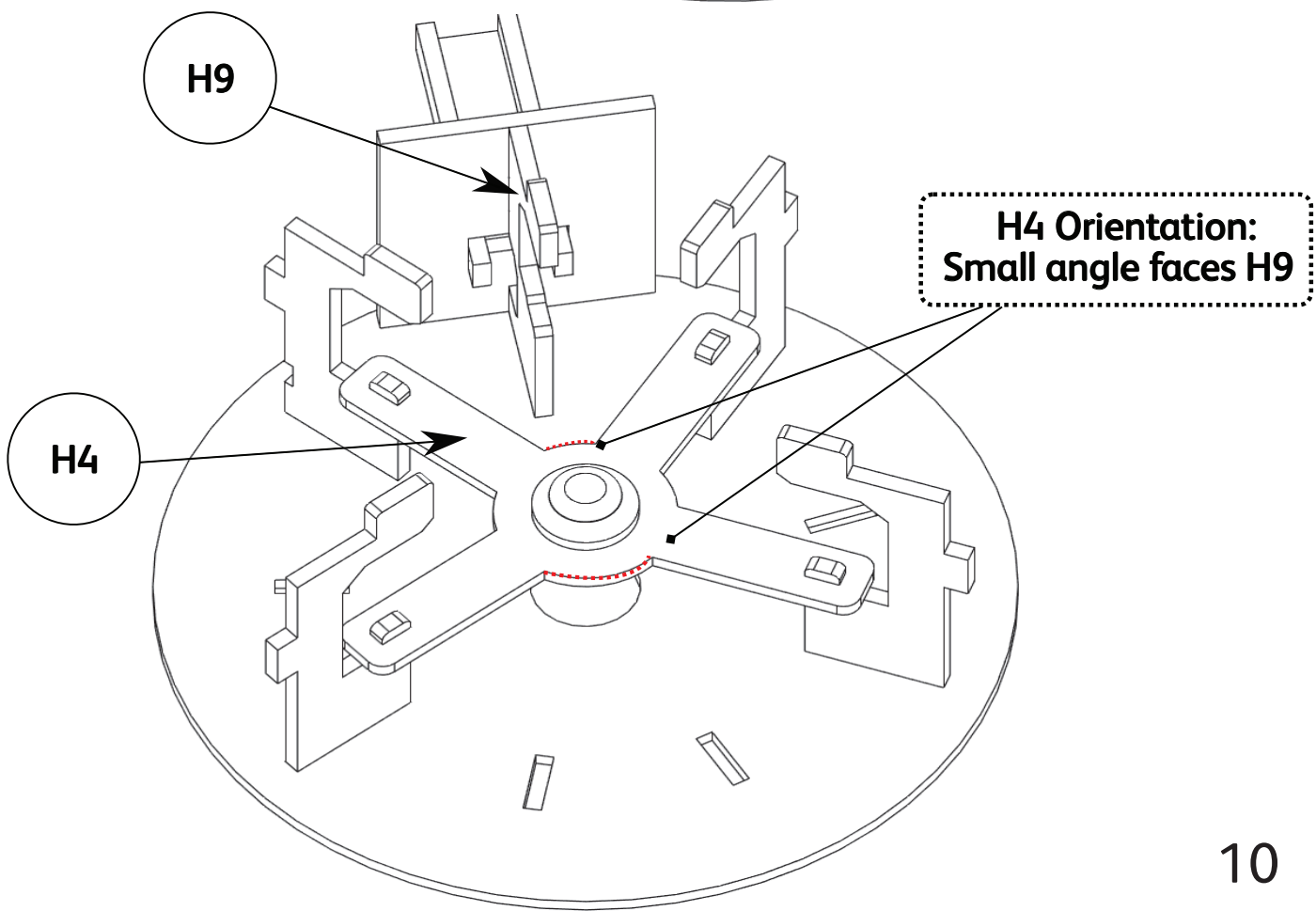
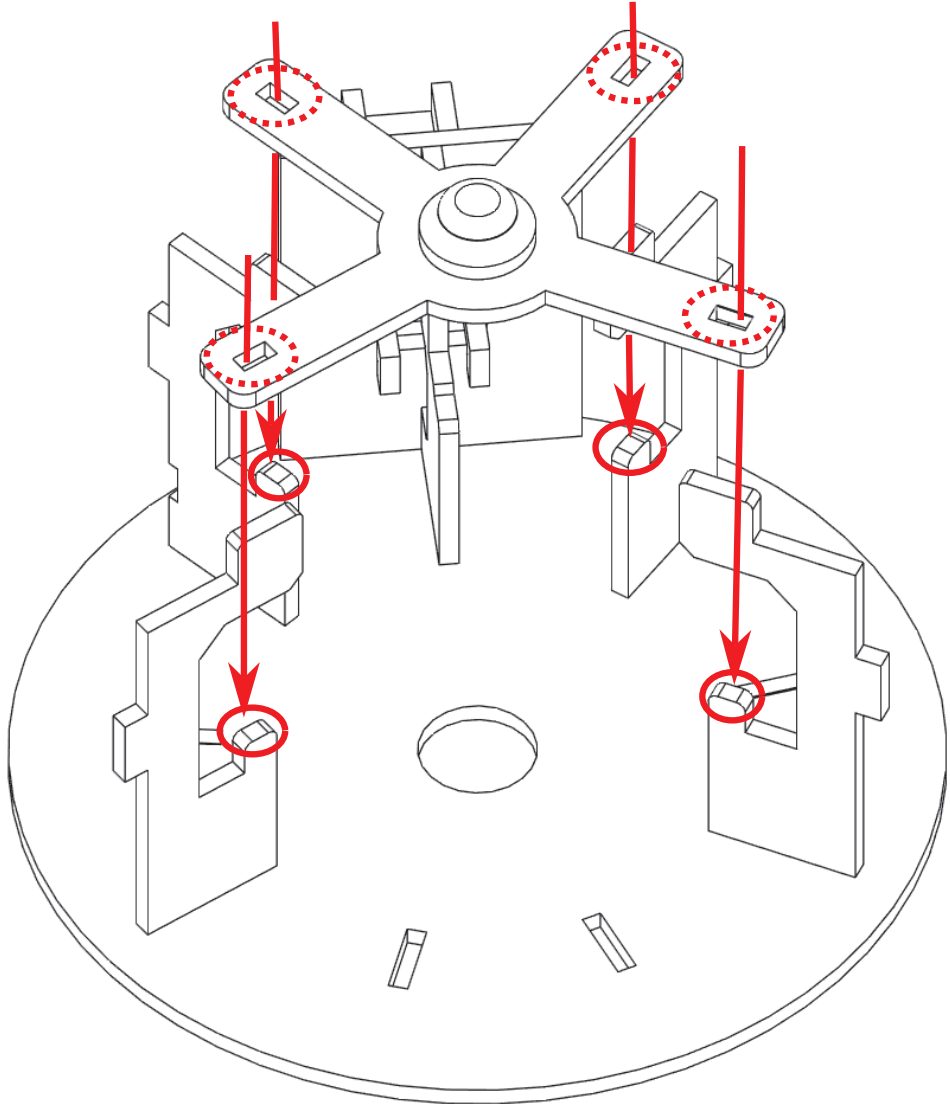
Button

H4



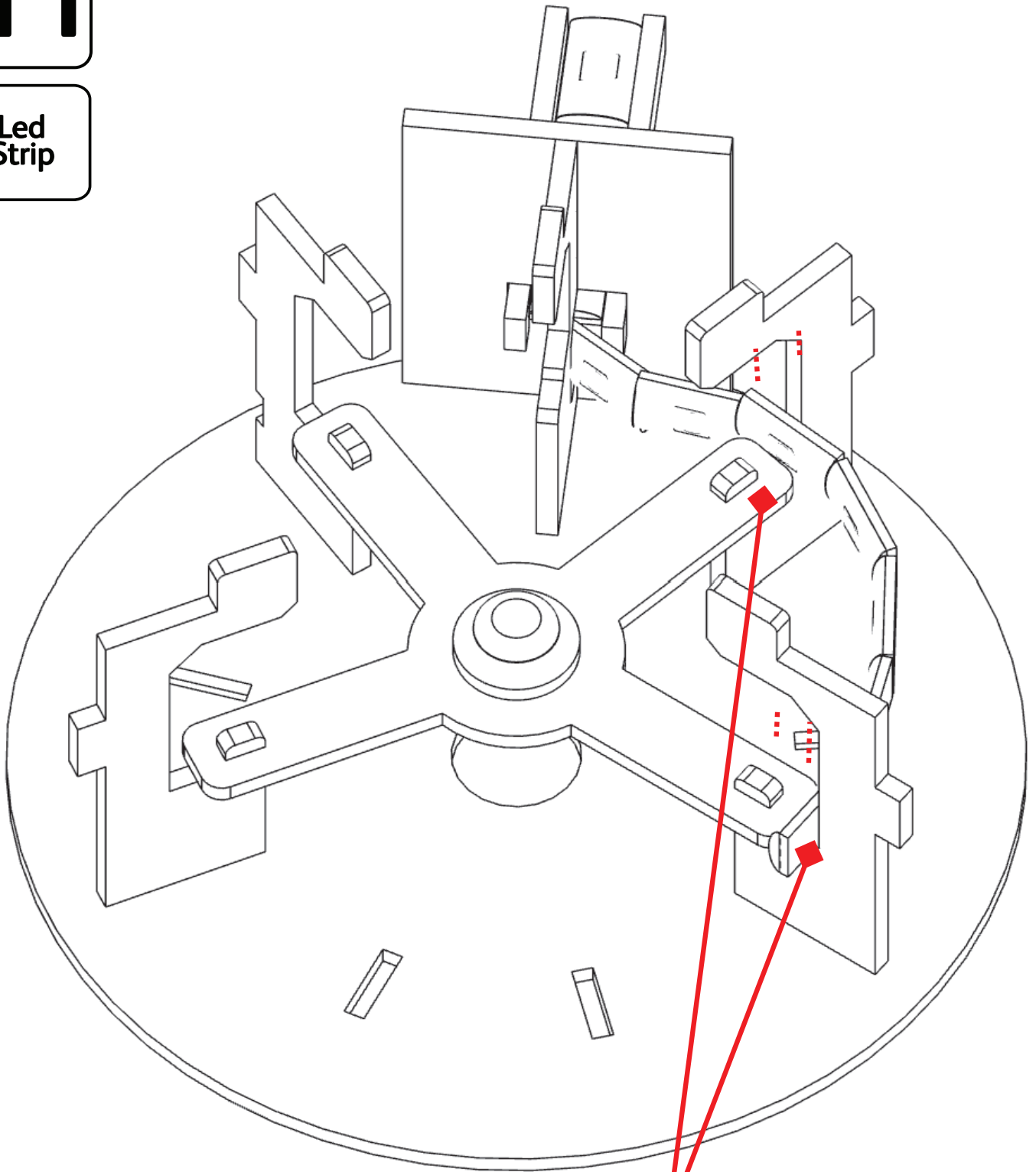
10

- H7 x 1
- H8 x 2
- H10 x 1
- H4 x 1
- Button
- H1 x 3
- Led Strip
- H9 x 1
- H5 x 1
- H3 x 1



11

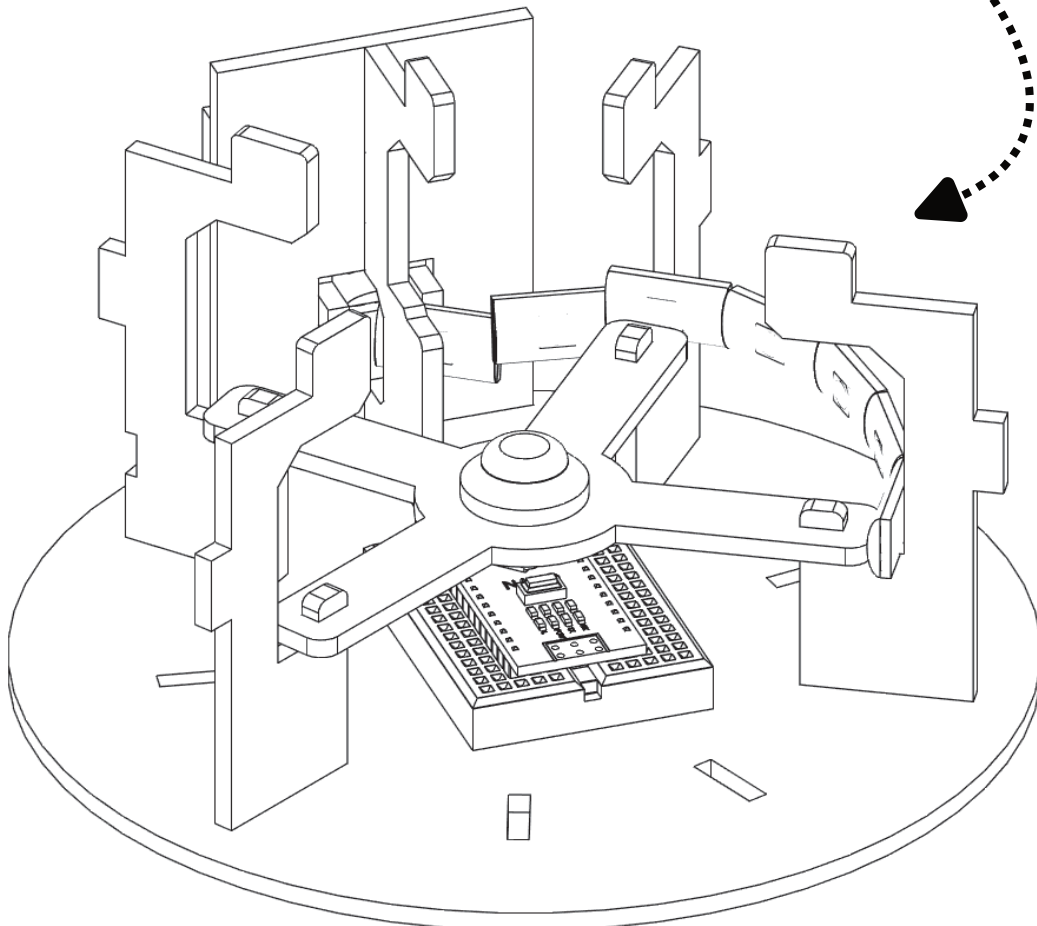
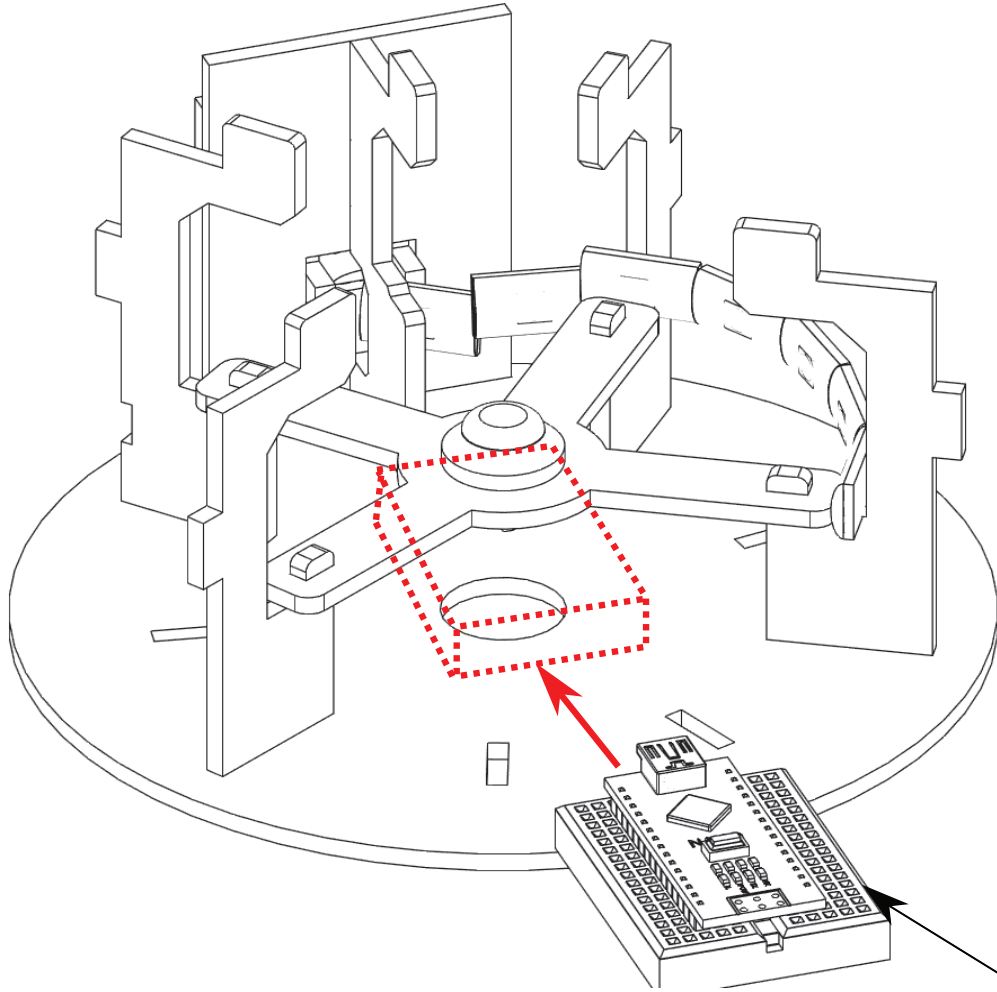
Led Strip



Led Strip inserted between H4 and H1

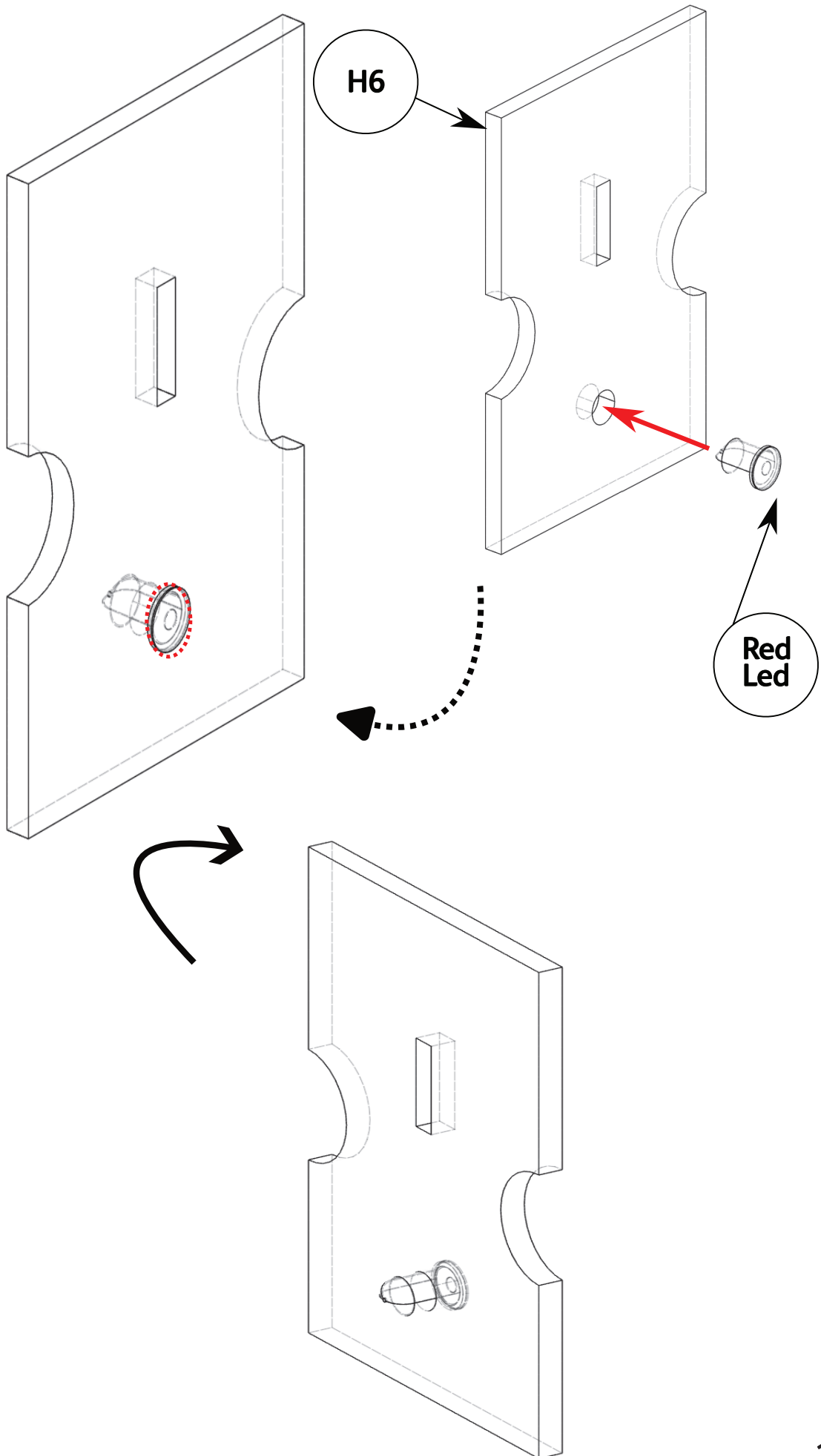
12

Arduino Nano
+
Breadboard



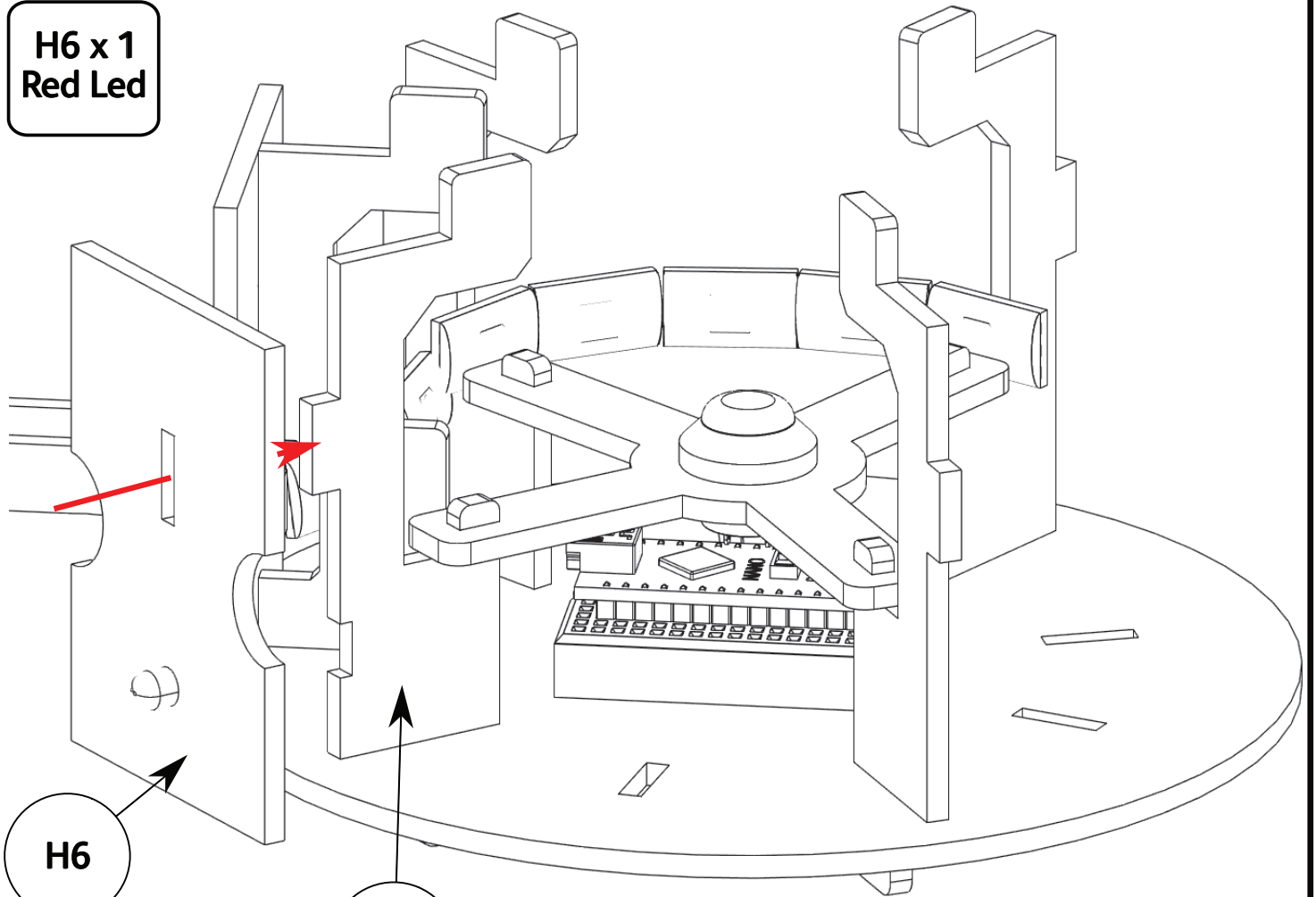
13

H6 x 1
Red Led



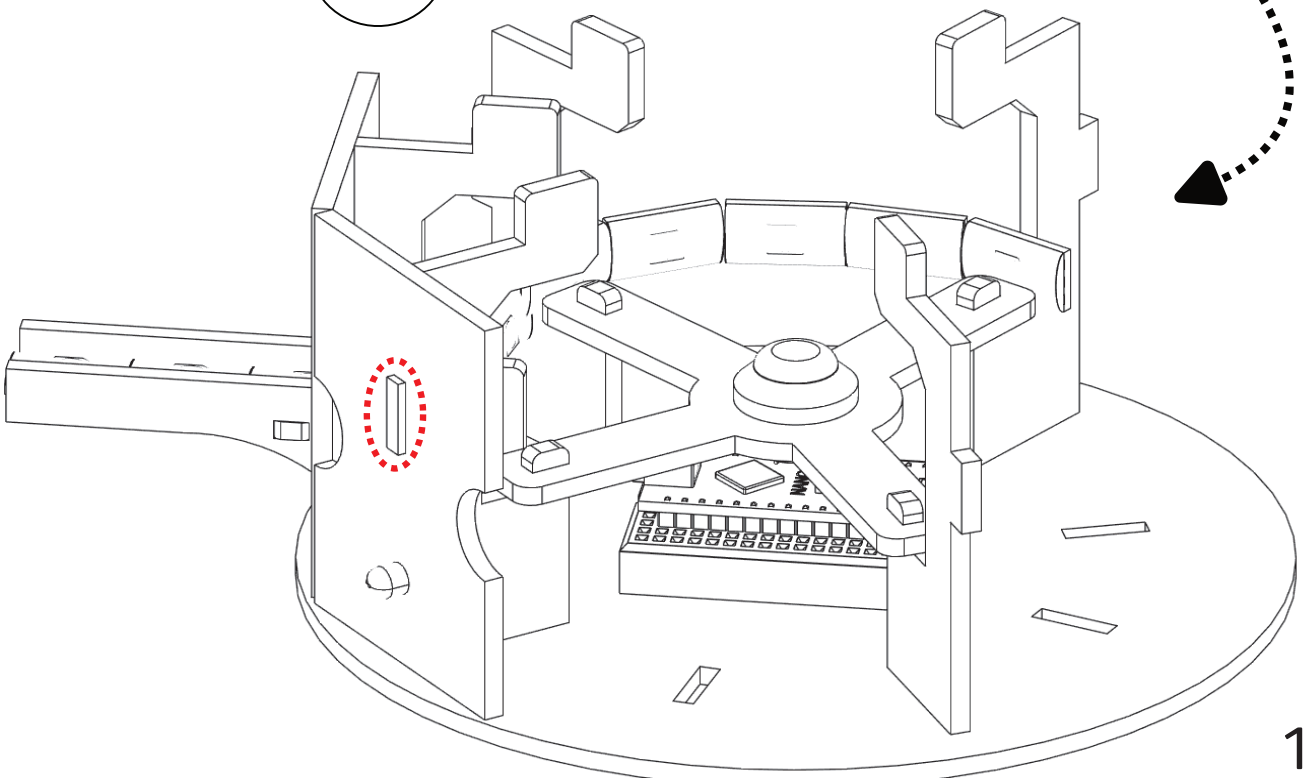
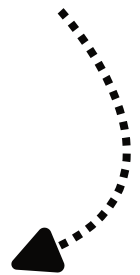
14

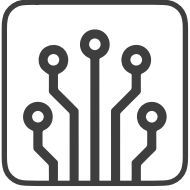
H6 x 1
Red Led



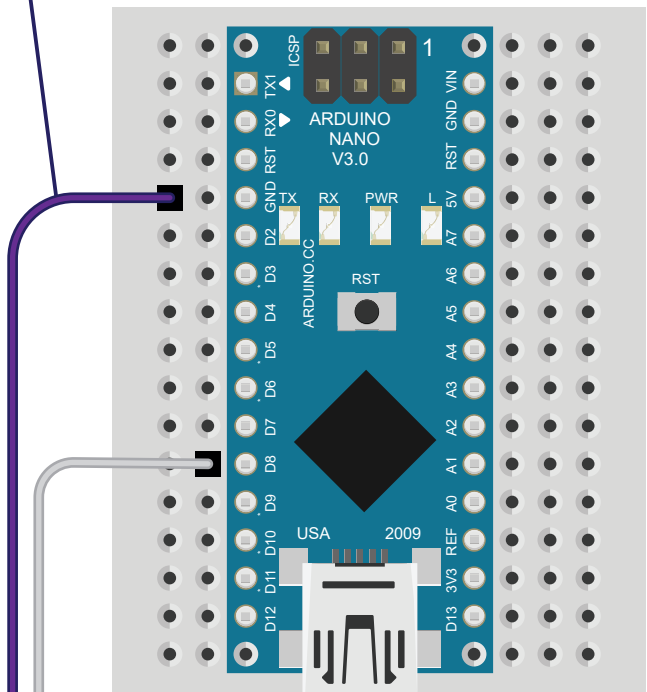
H6

H5

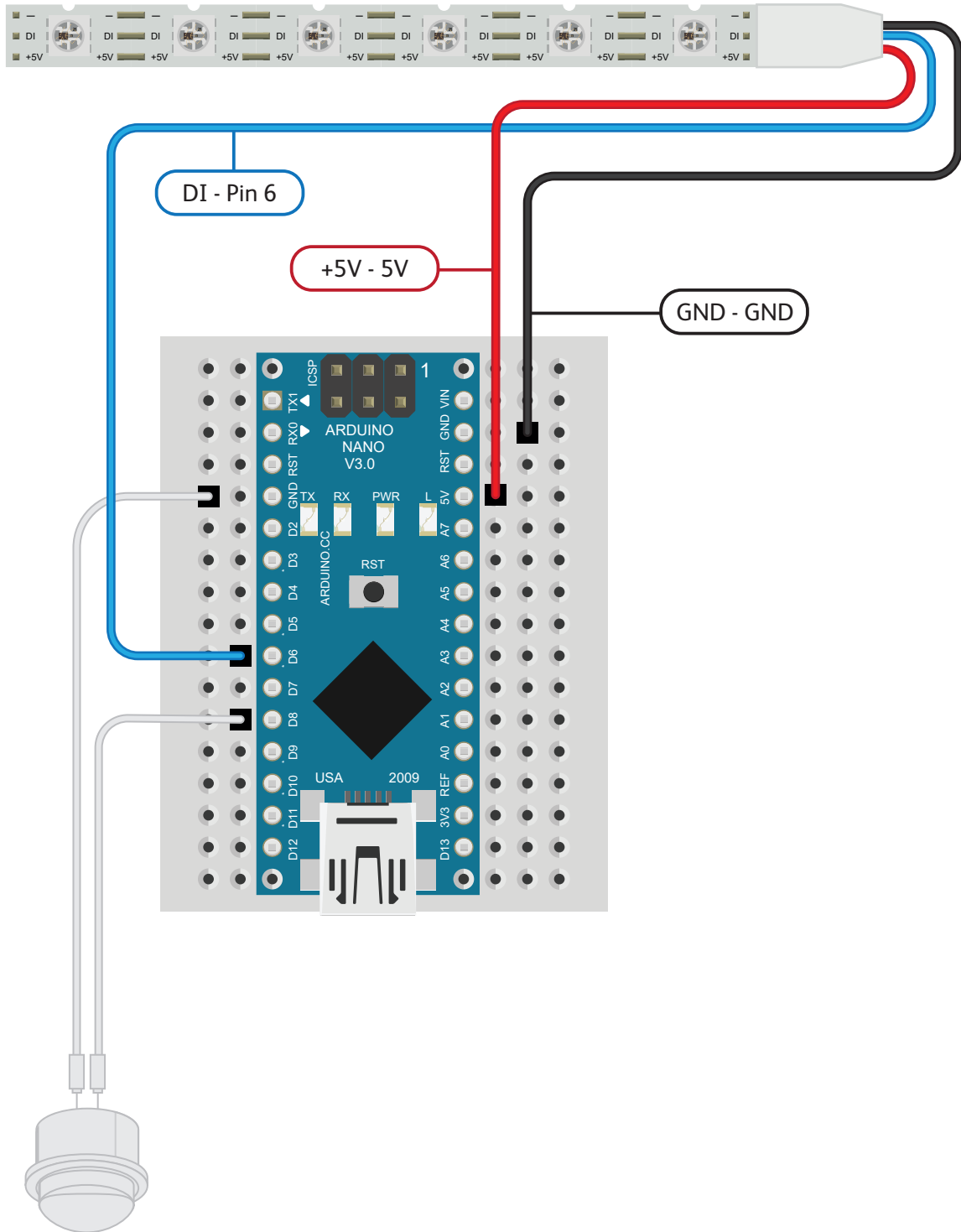
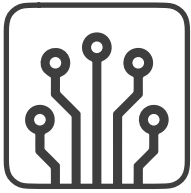


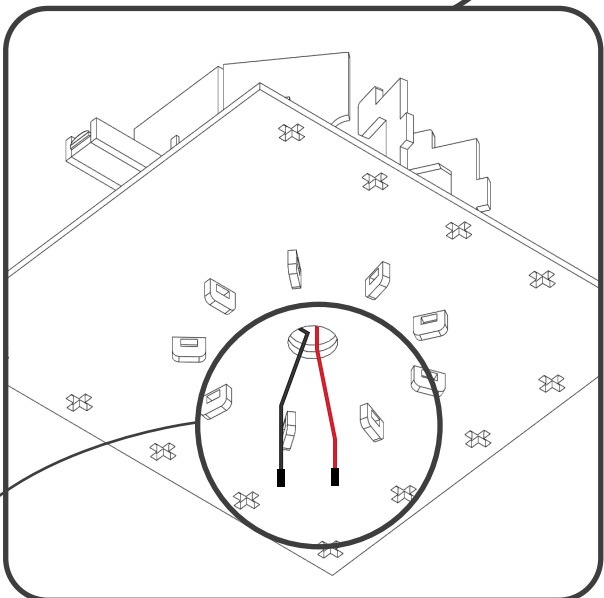
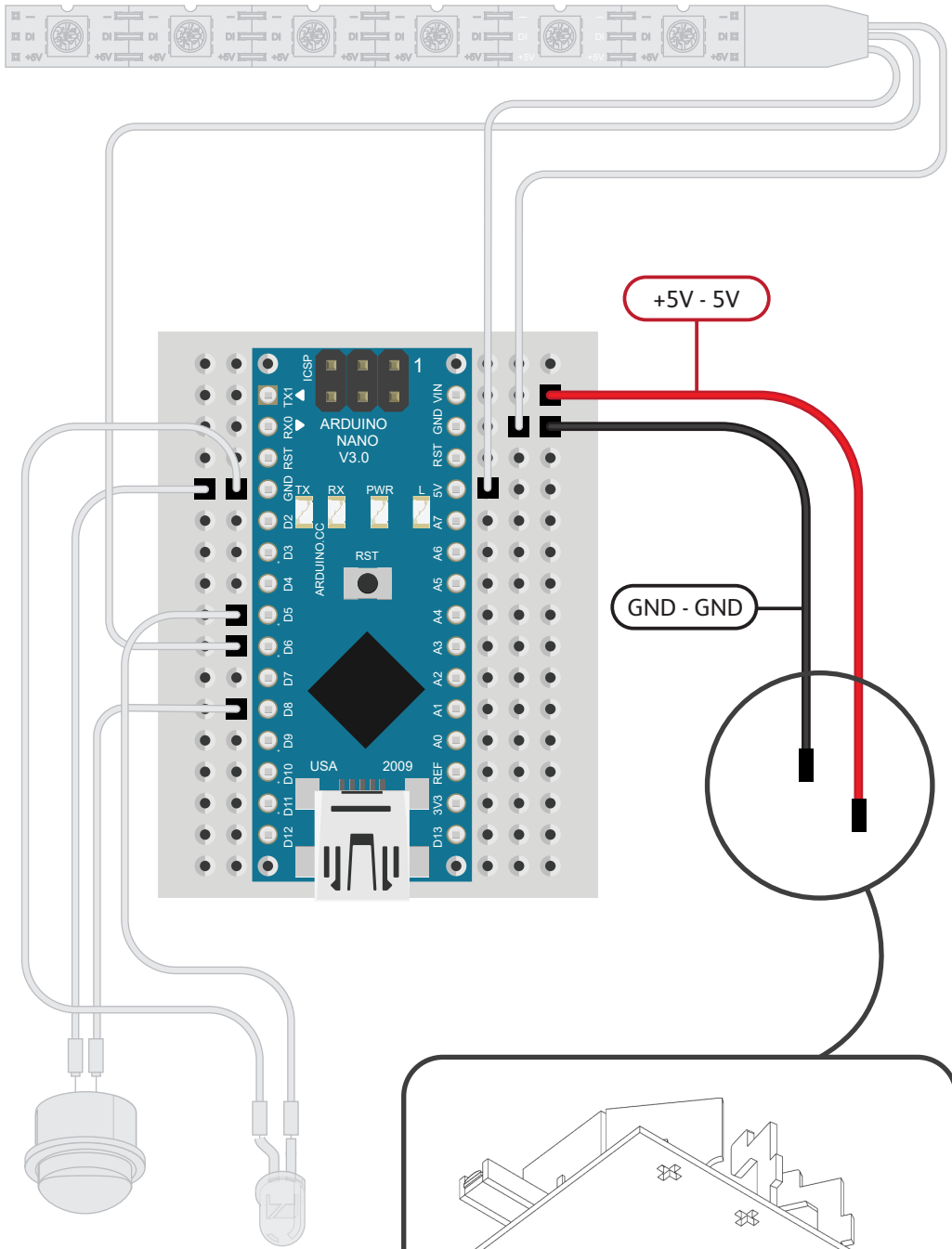
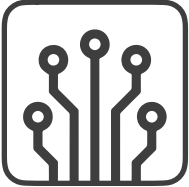


Negative - GND



Positive - Pin 8

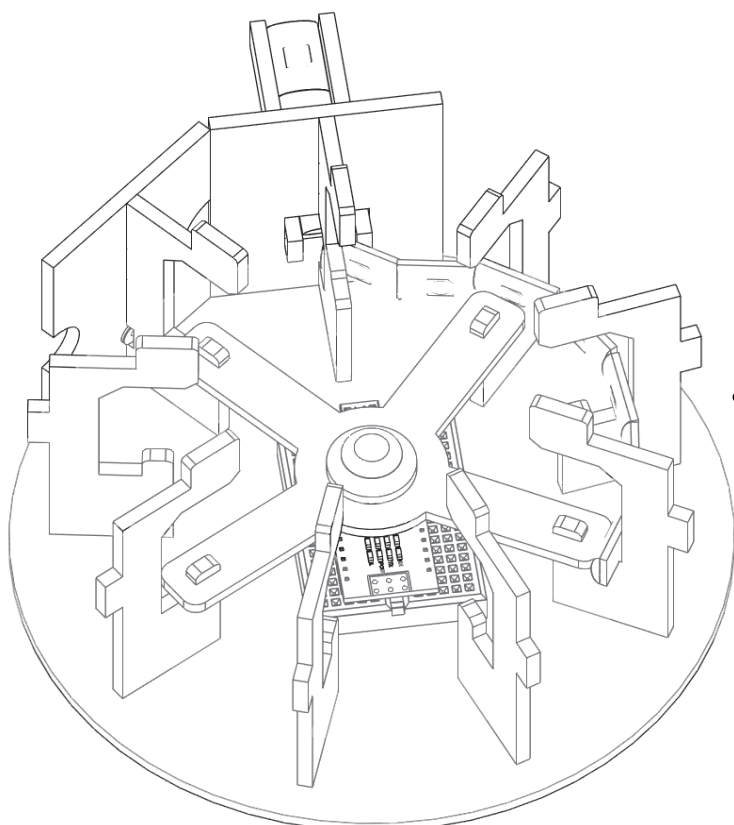
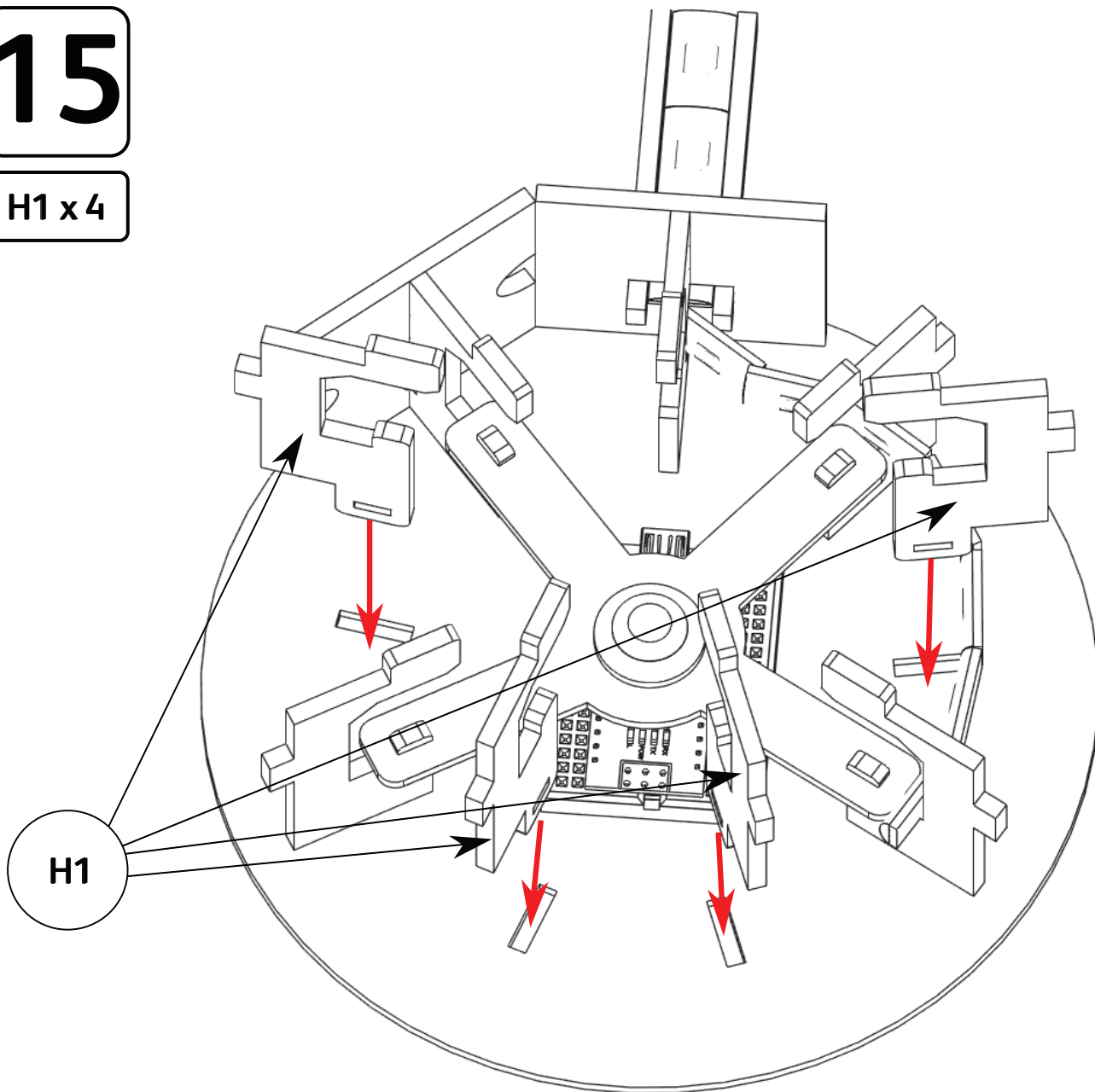




Connect to Solar Farm.

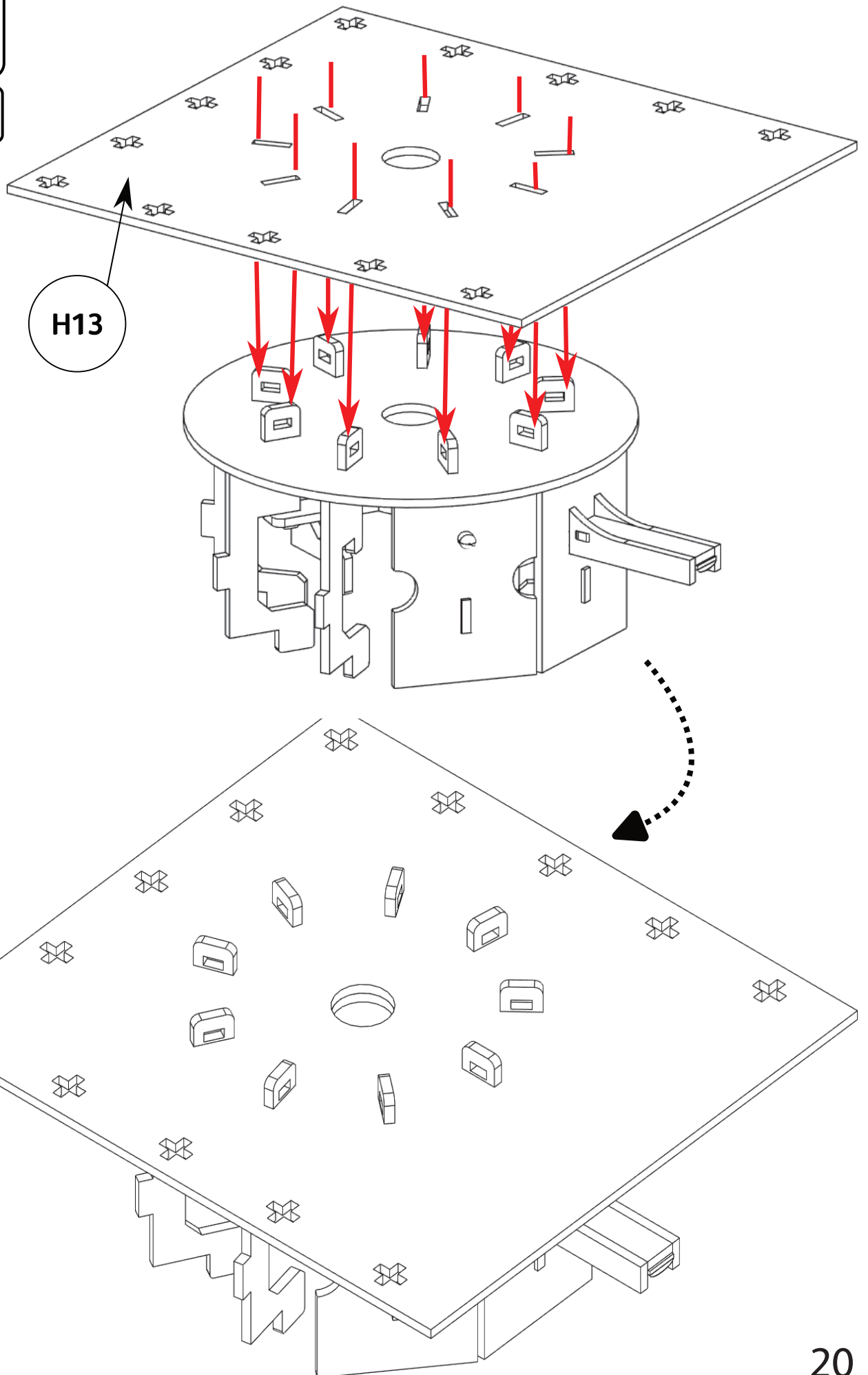
15

H1 x 4



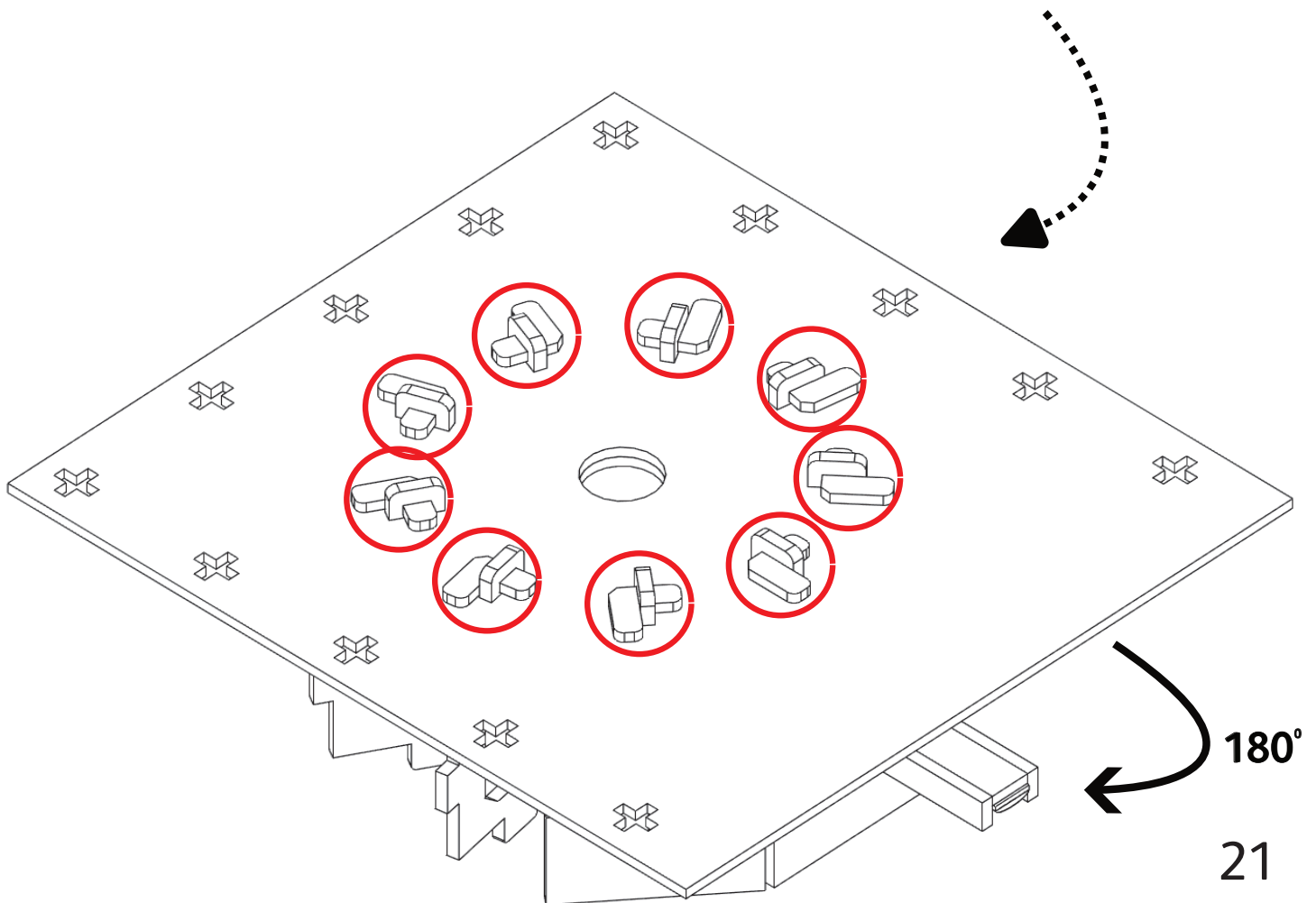
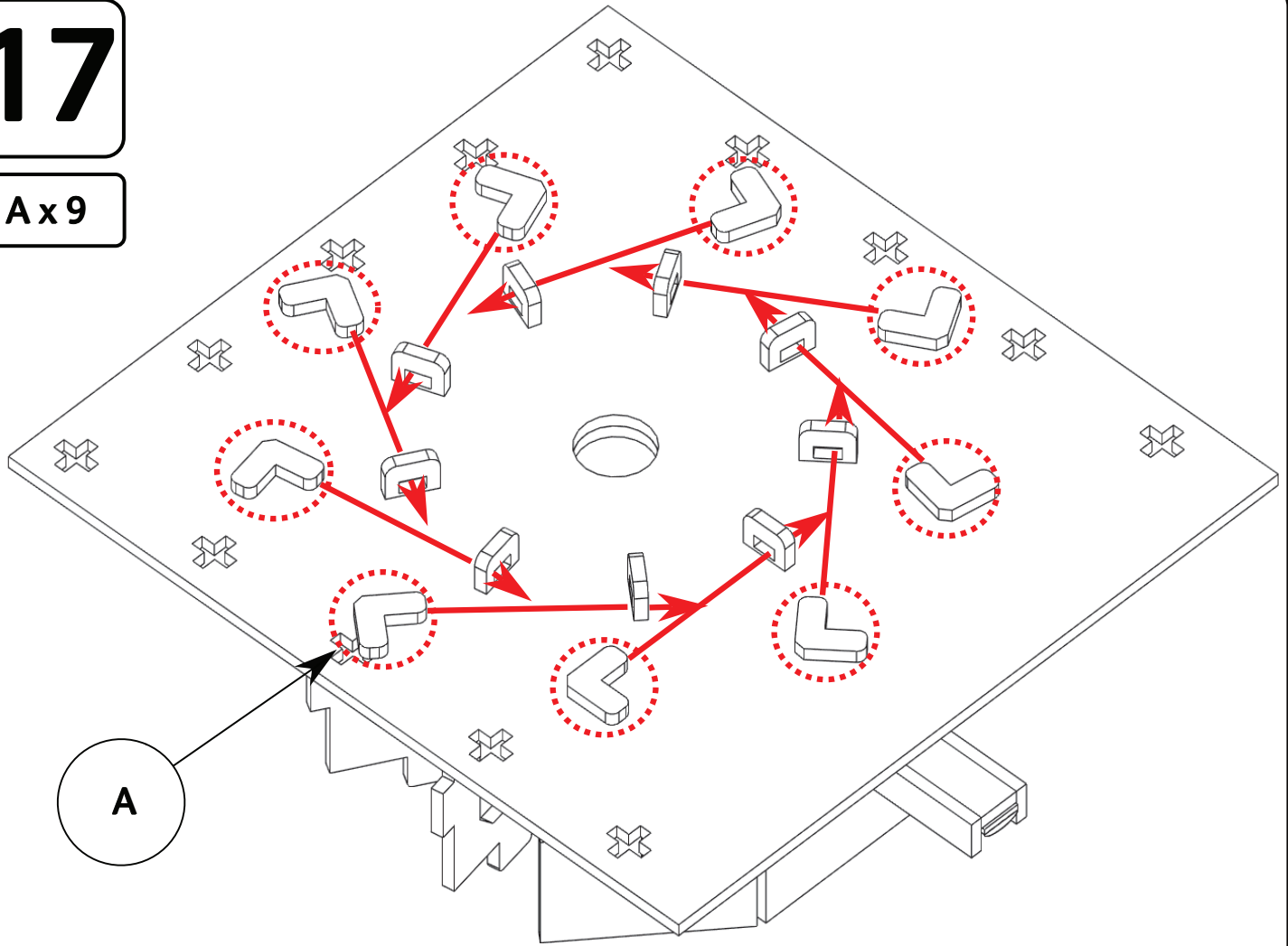
16

H13 x 1



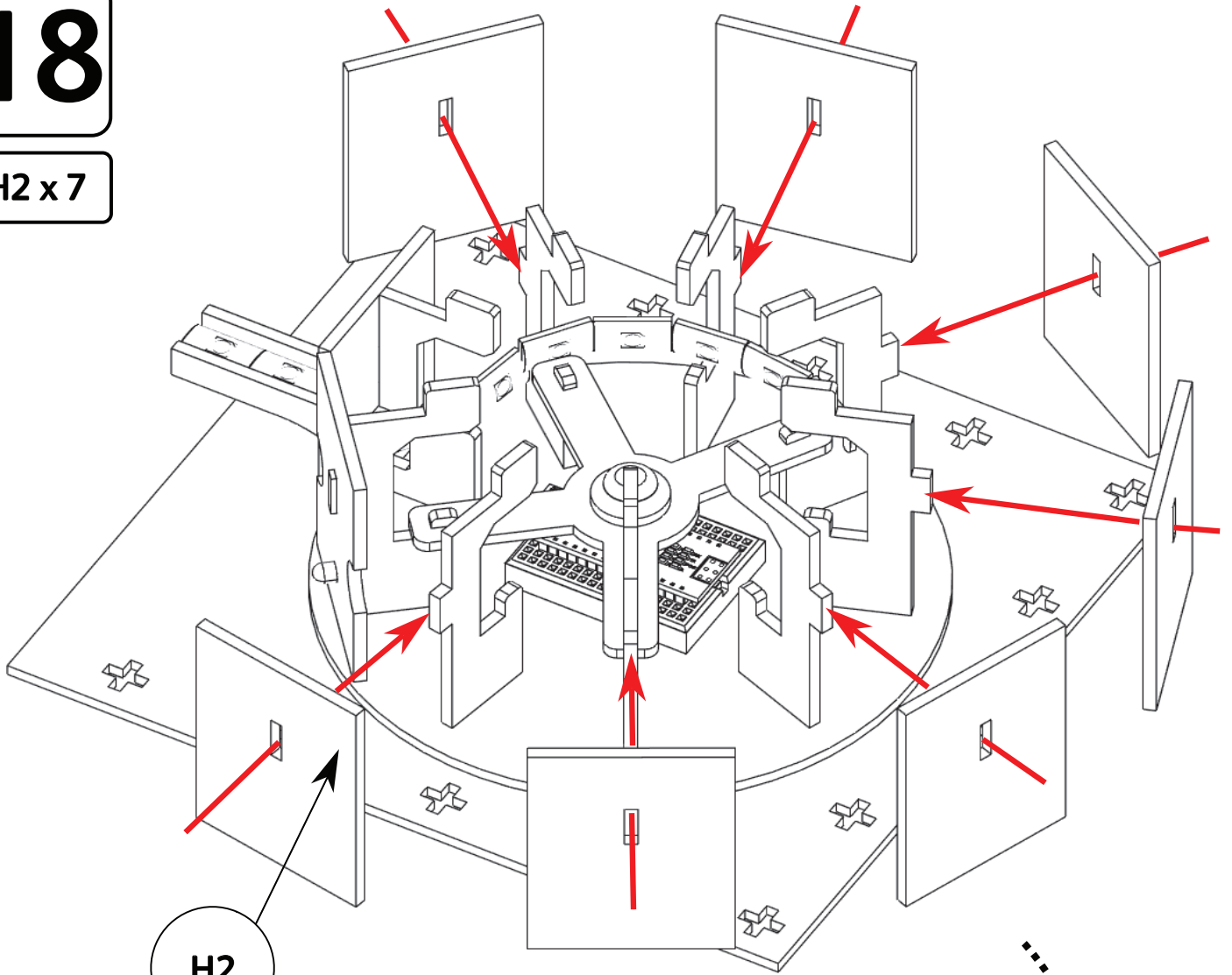
17

A x 9

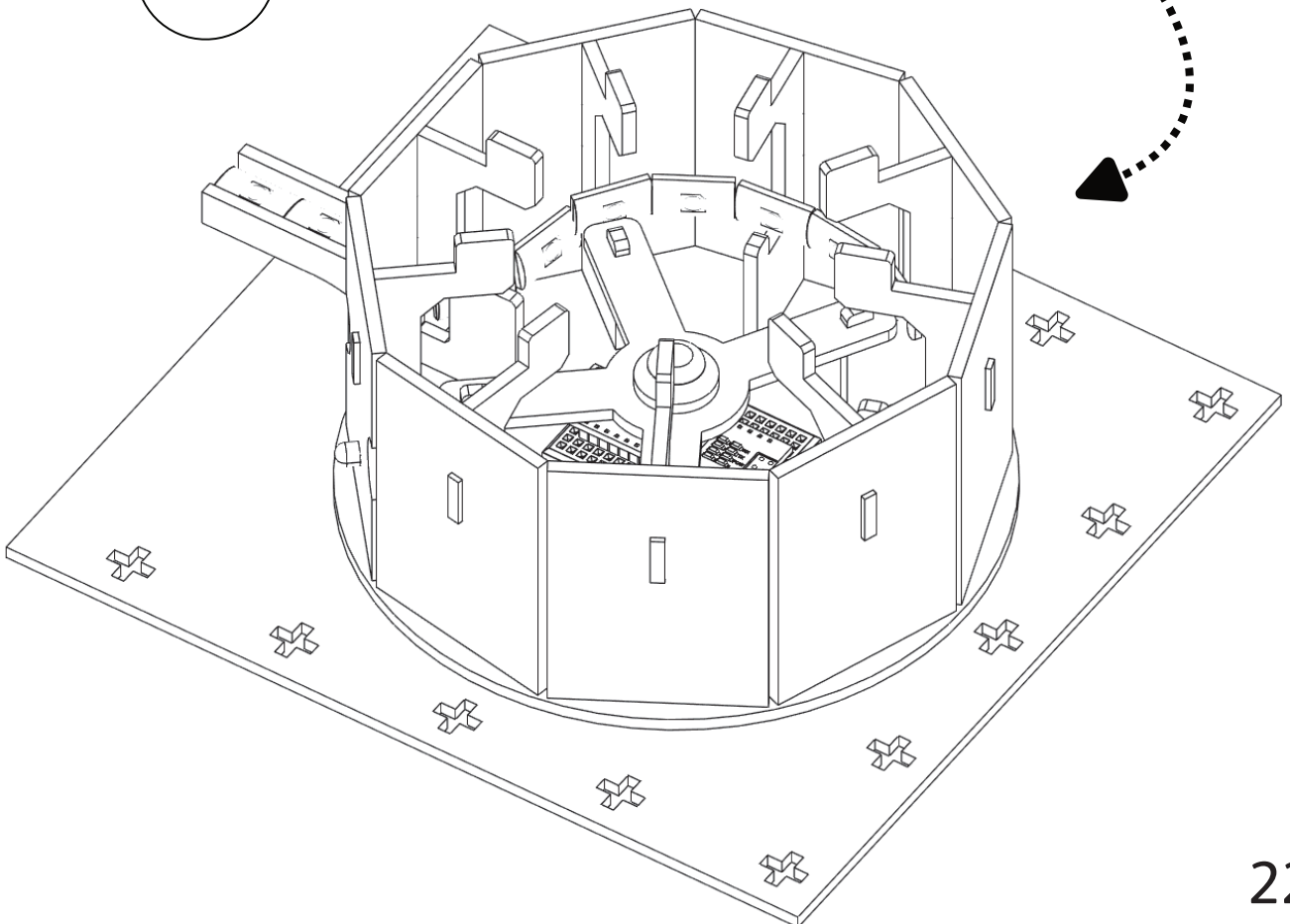


18

H2 x 7



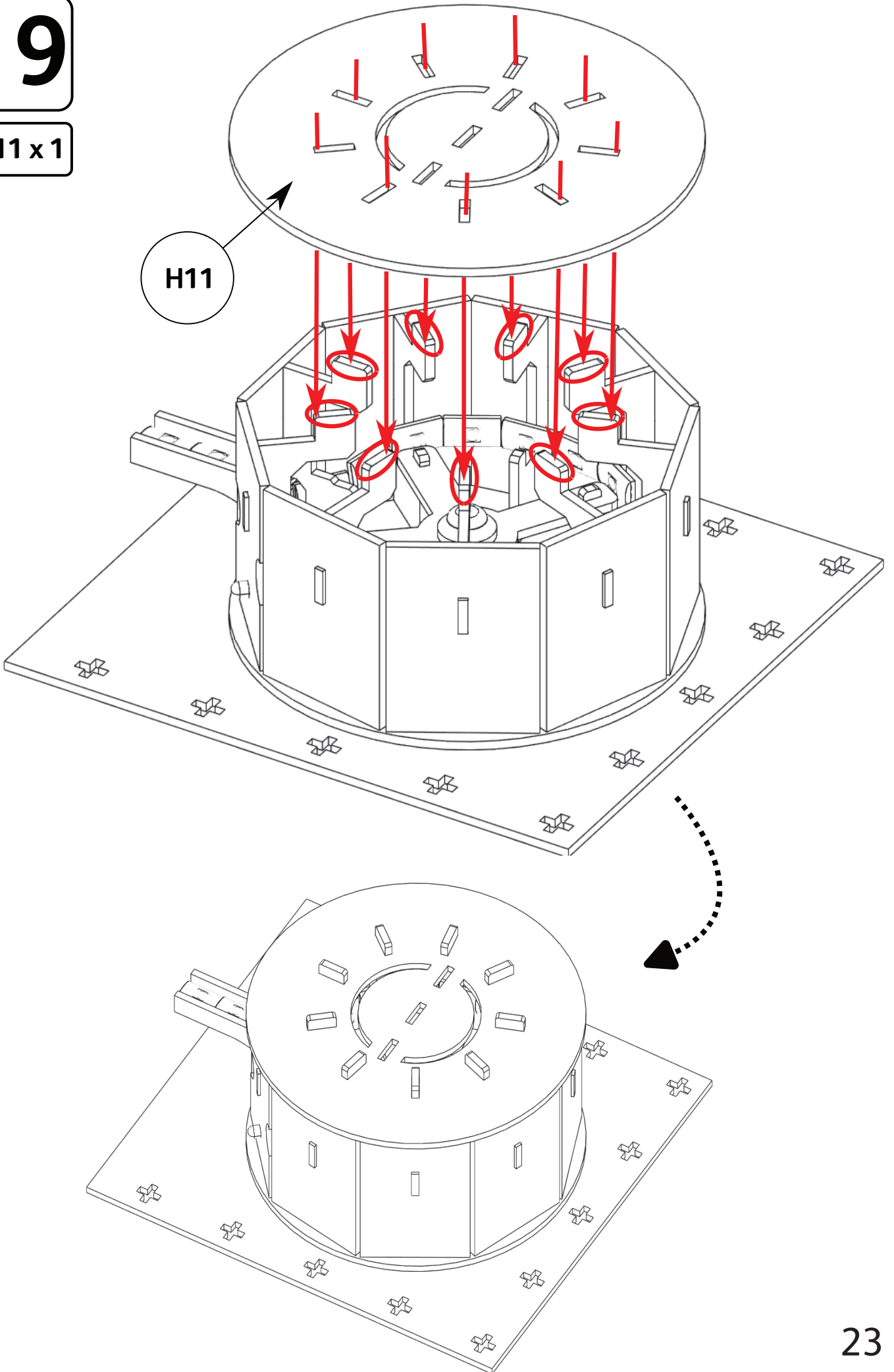
H2



22

19

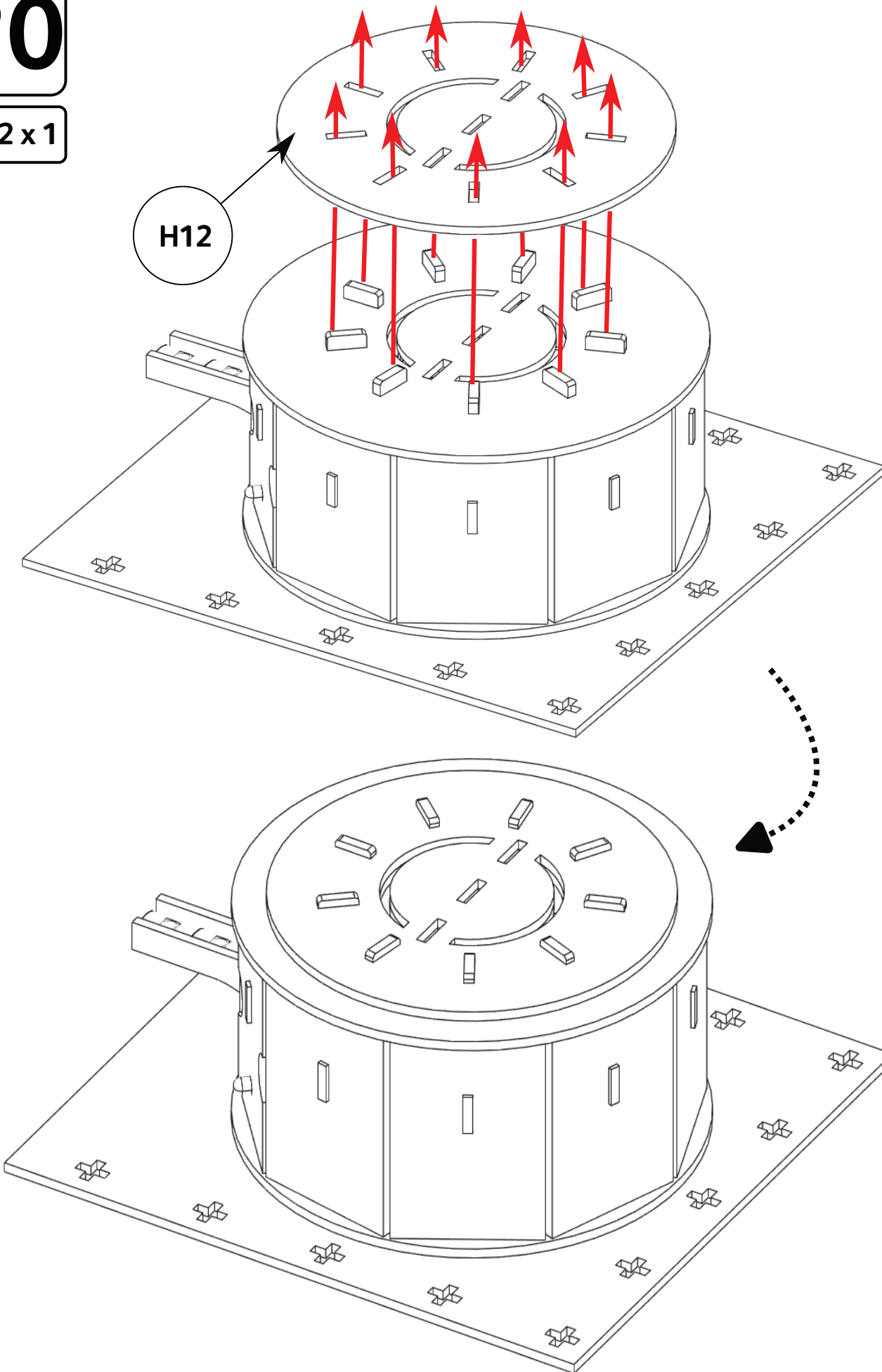
H11 x 1



20

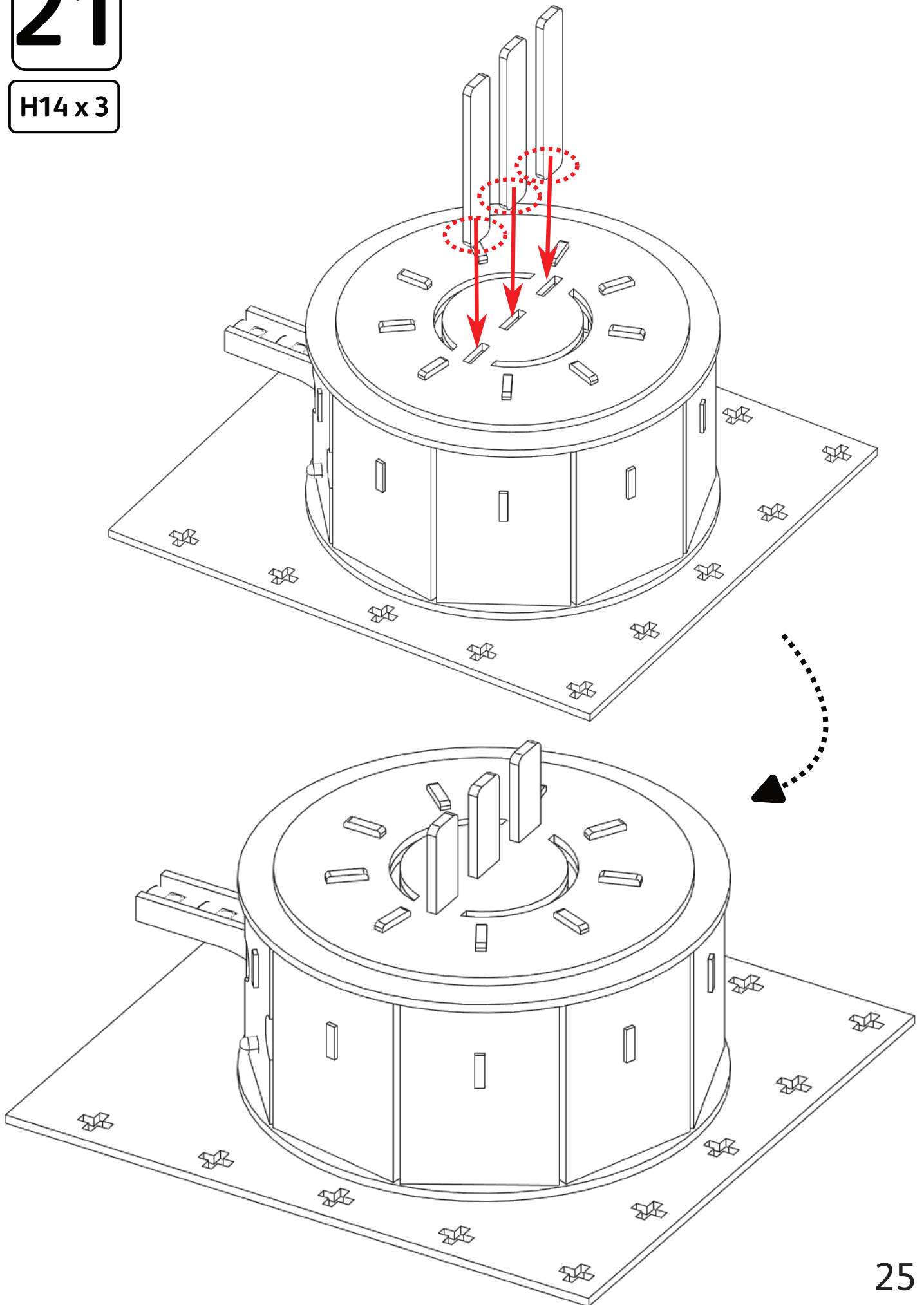
H12 x 1

H12



21

H14 x 3





Powered by
Rewise

Romania