



GFG
FOUNDATION

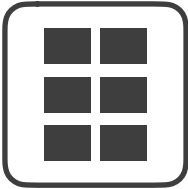
Powered by
Rewise

GFG Foundation Provocarea STEAM

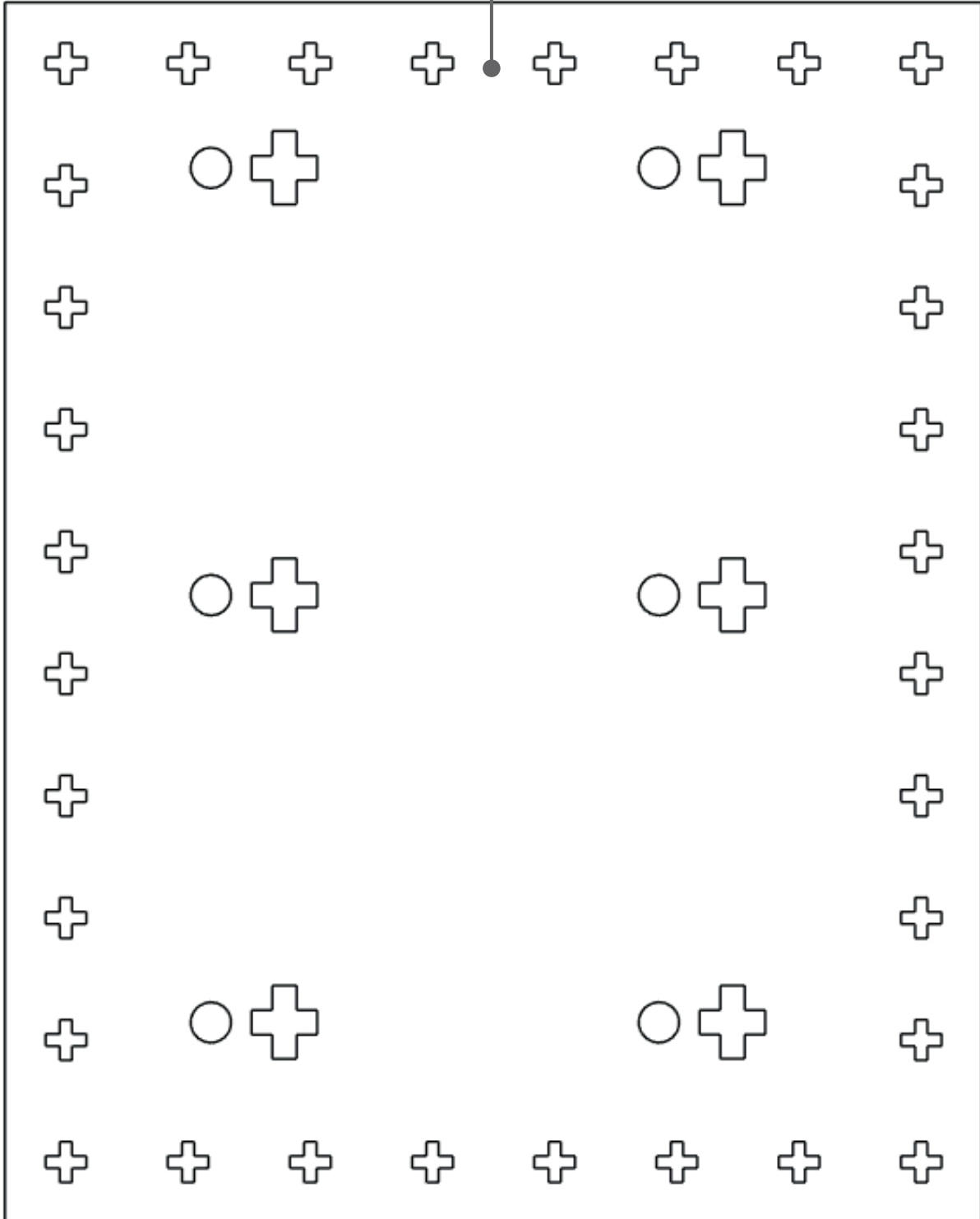
Wind Farm

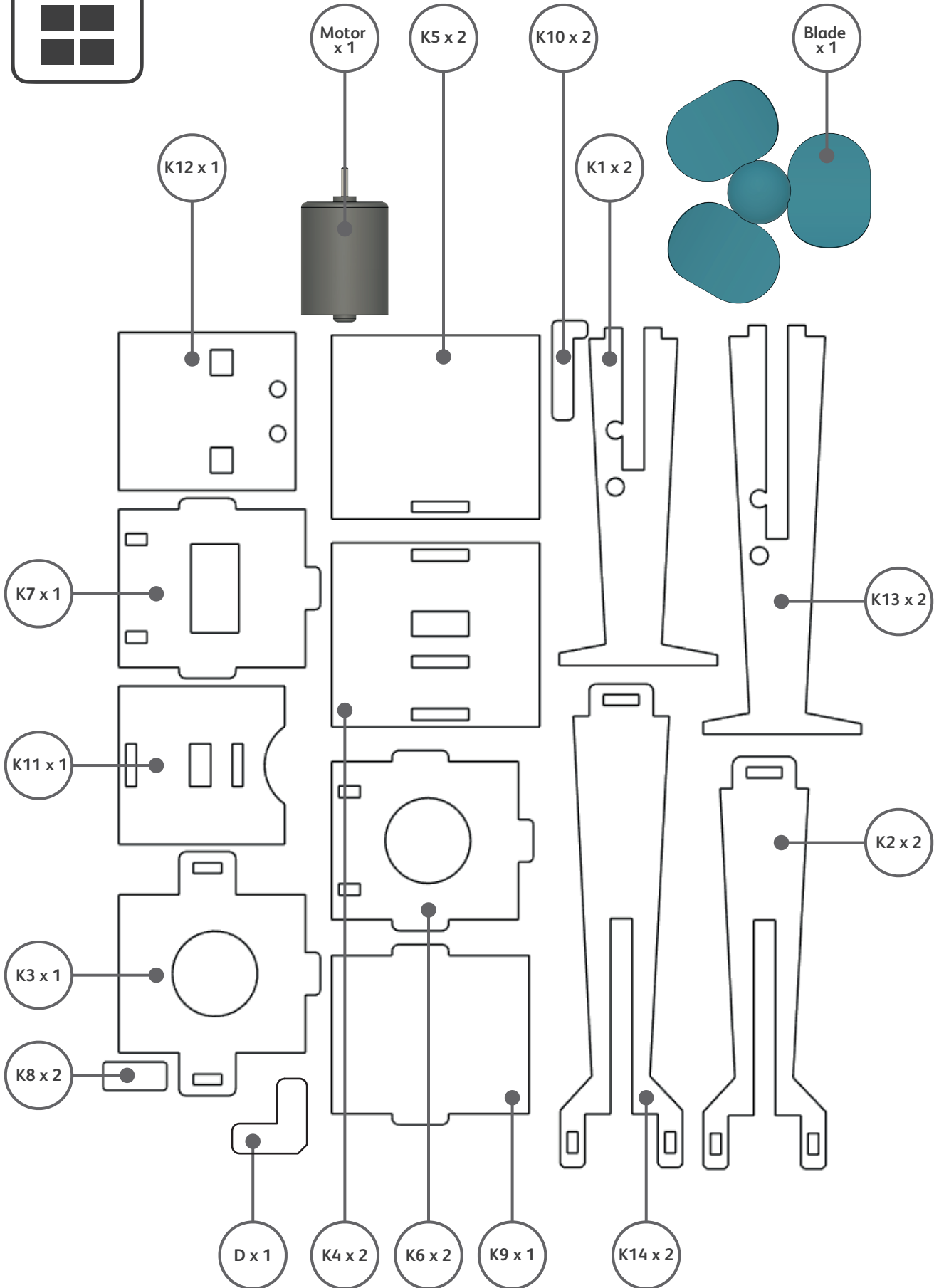
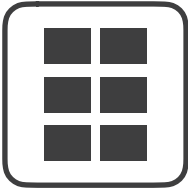
România





K15 x 1
per group

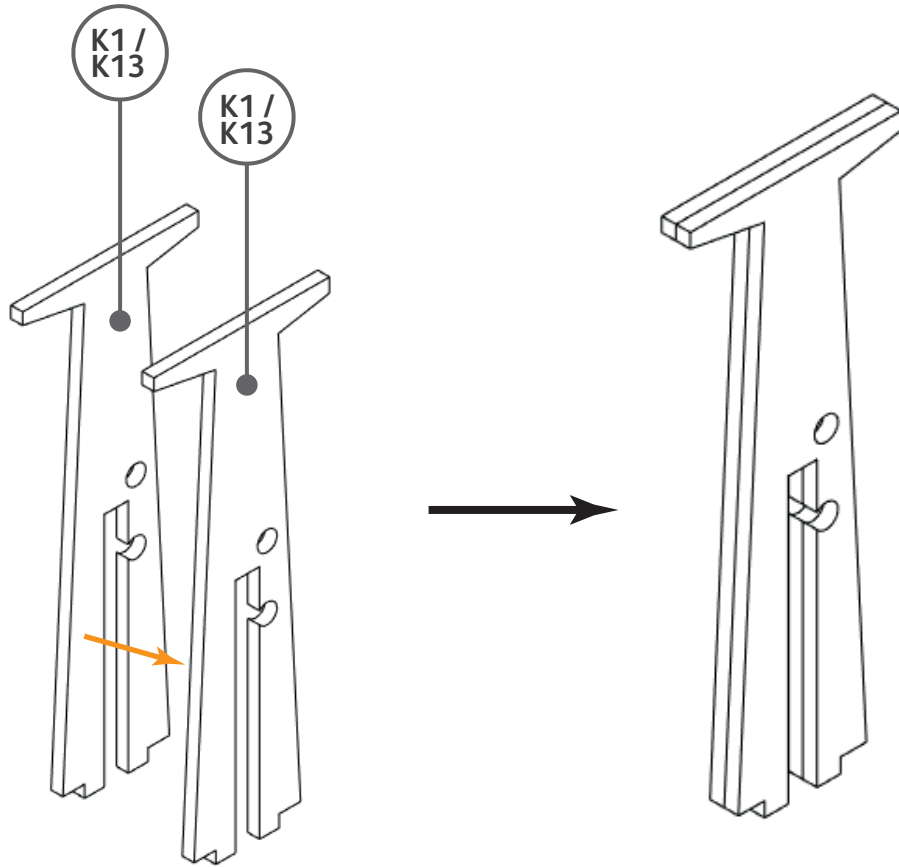




1

Short
Turbine
2 x K1

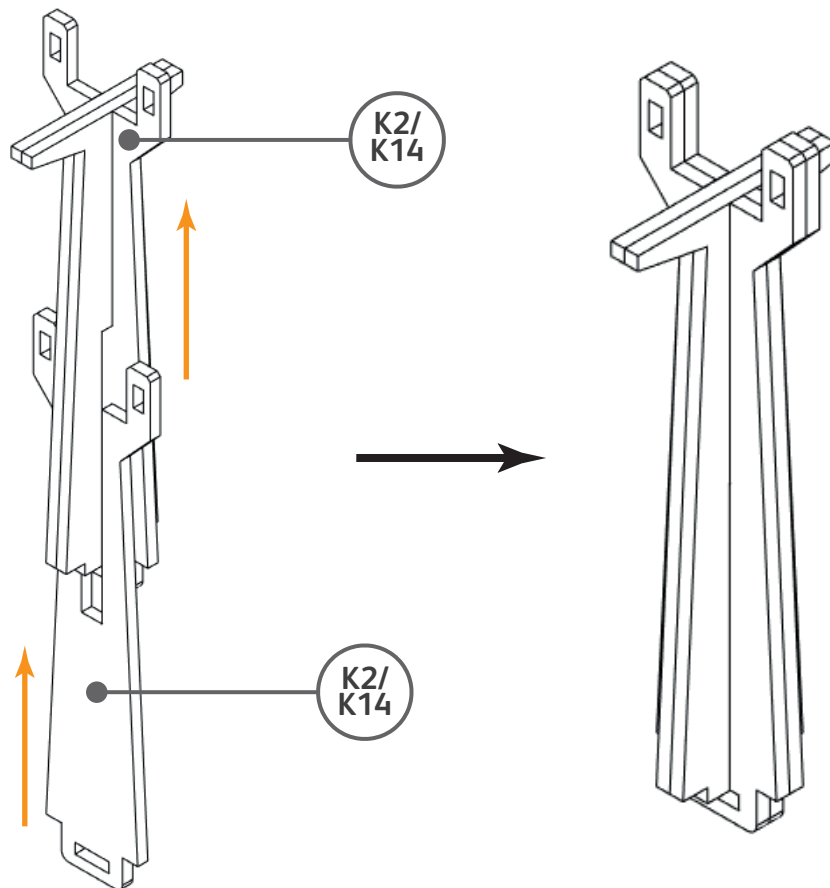
Tall
Turbine
2 x K13



2

Short
Turbine
2 x K2

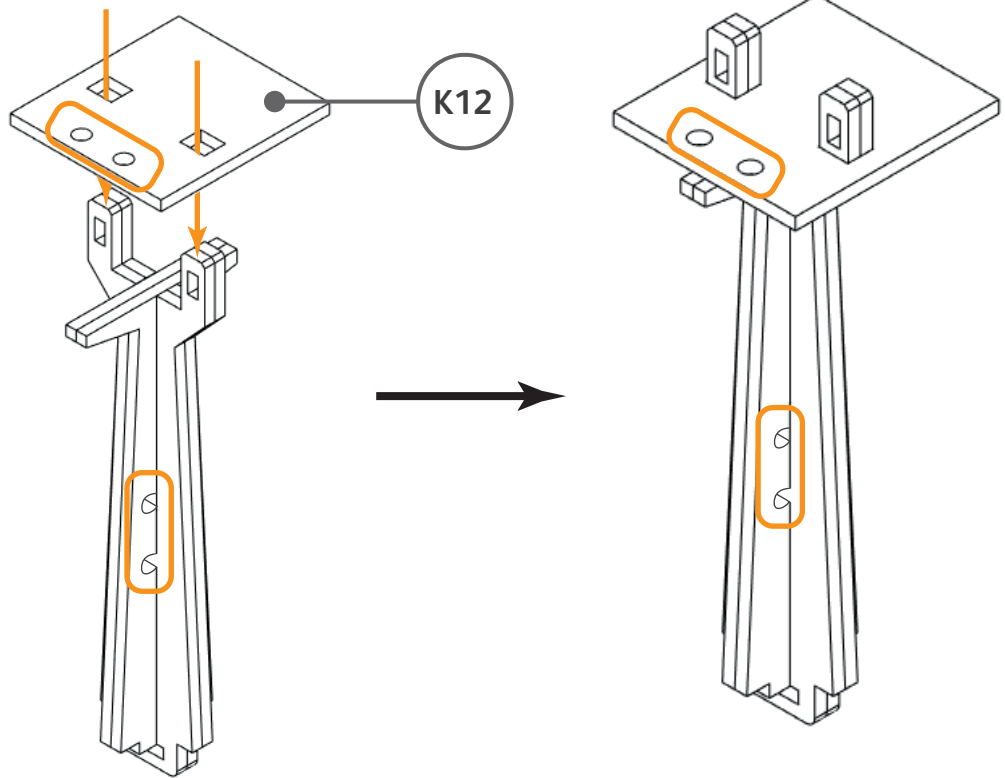
Tall
Turbine
2 x K14



3

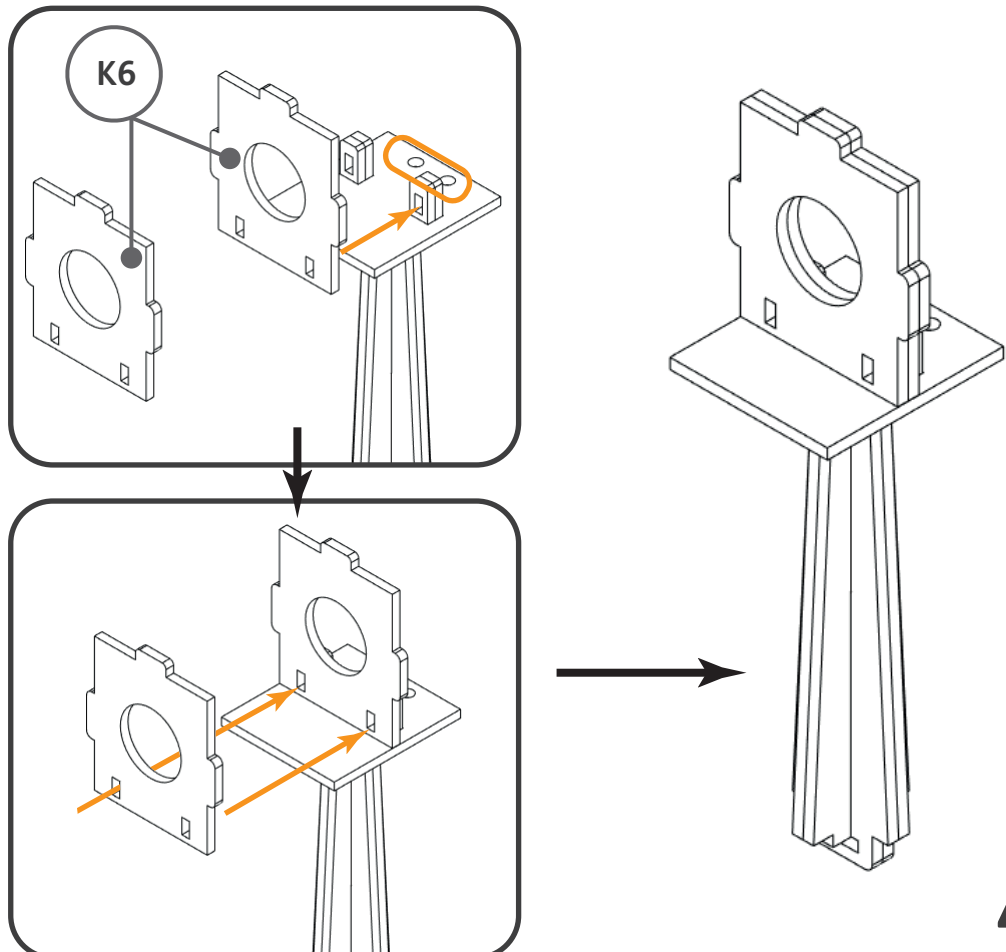
3

1 x K12



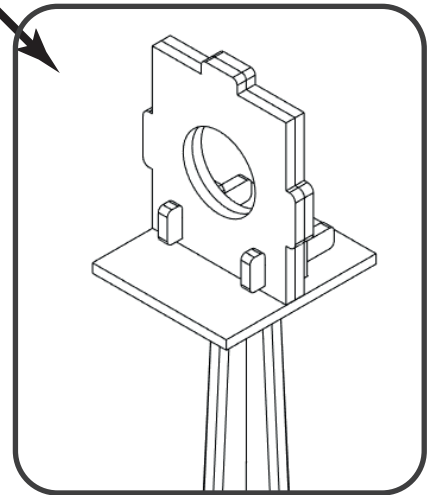
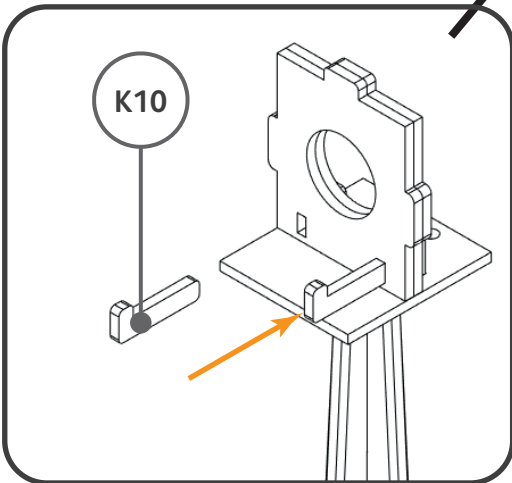
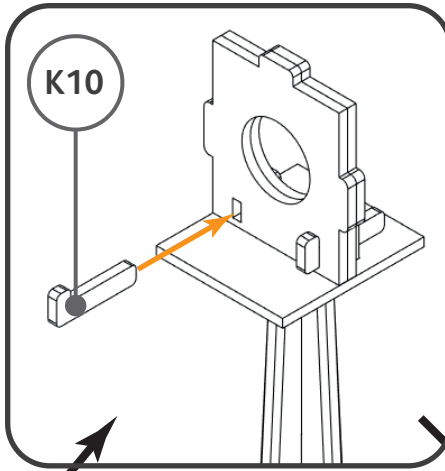
4

2 x K6



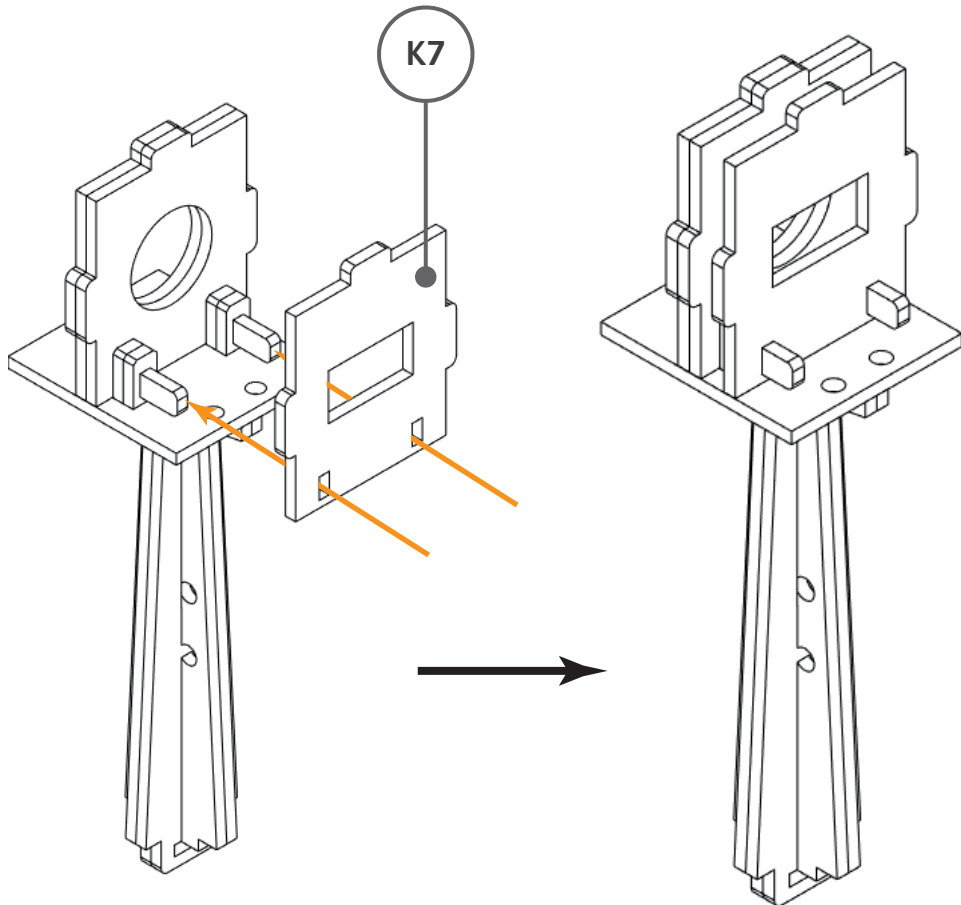
5

2 x K10



6

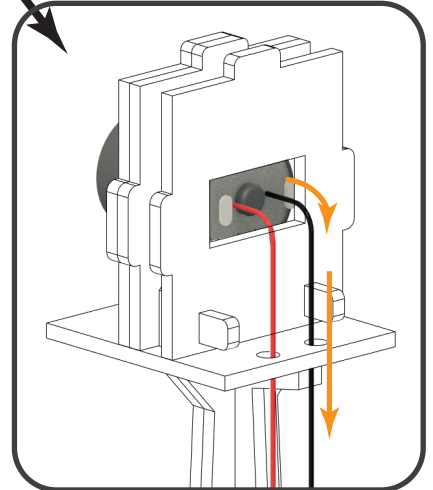
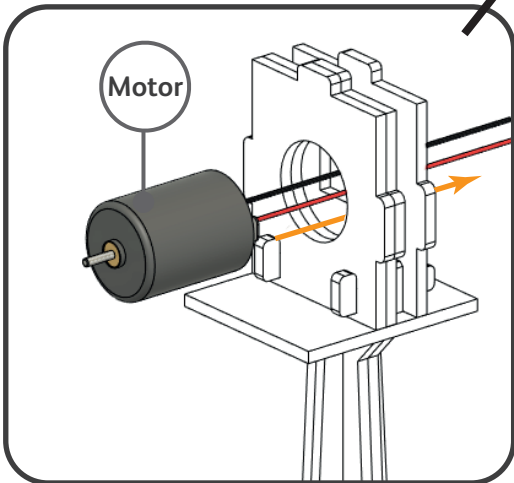
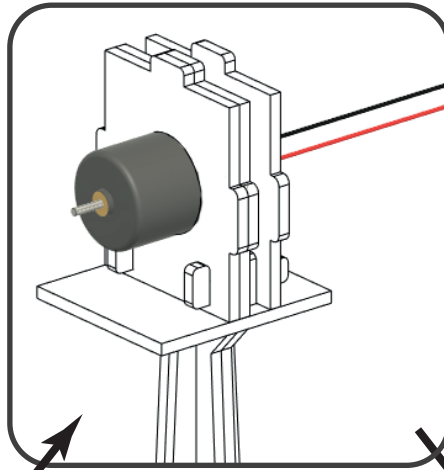
1 x K7



5

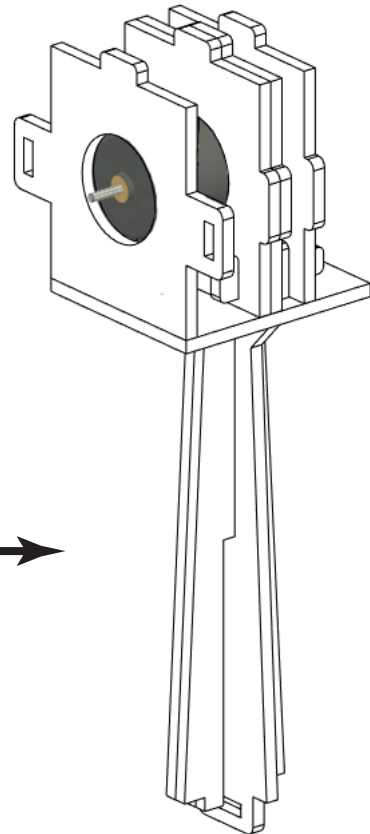
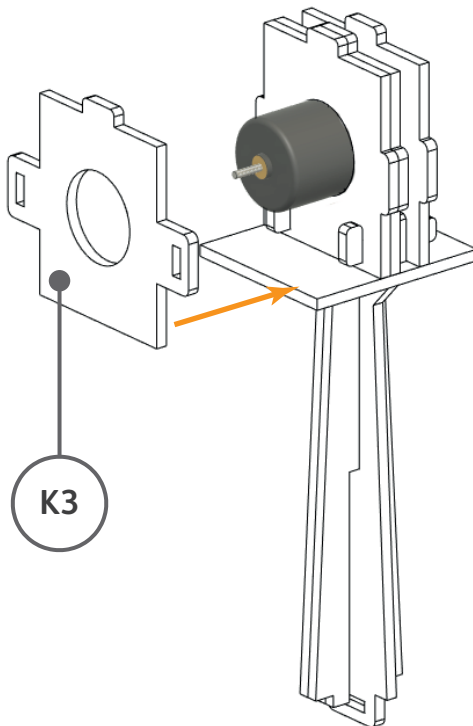
7

1 x Motor



8

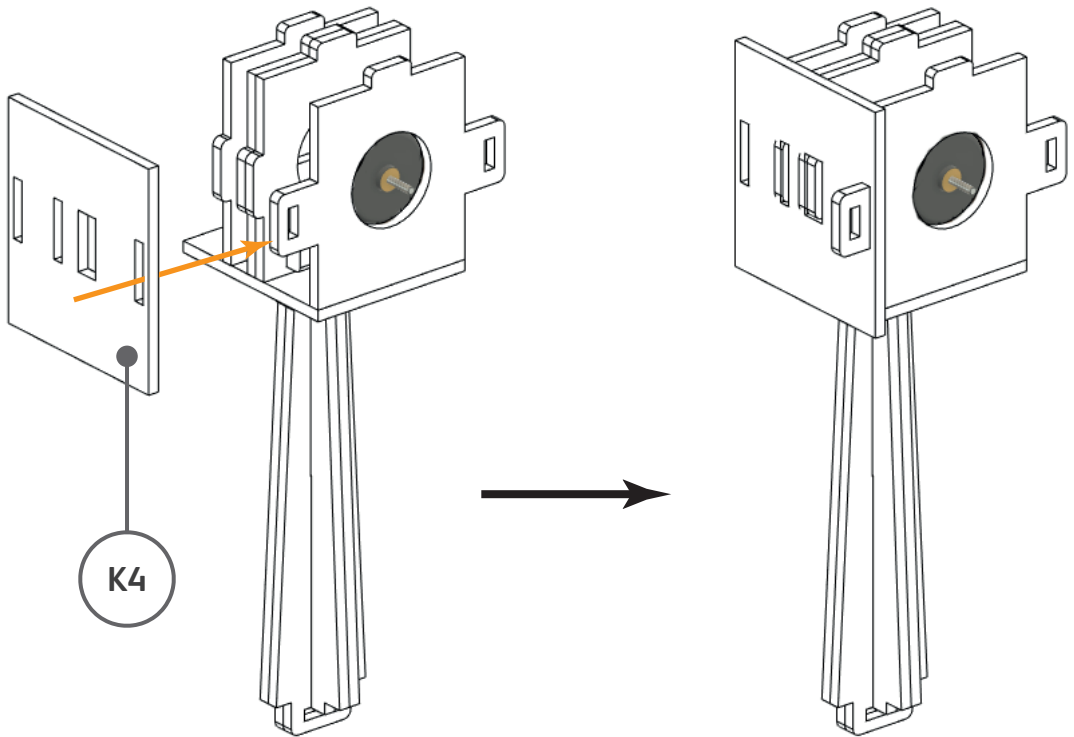
1 x K3



6

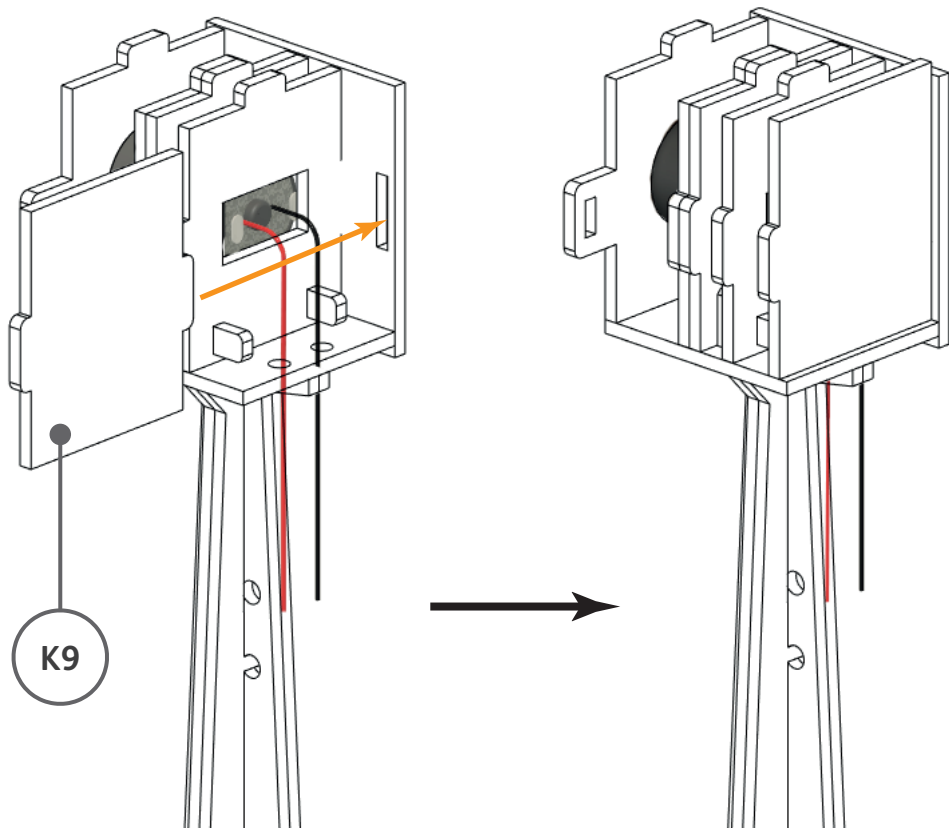
9

1 x K4



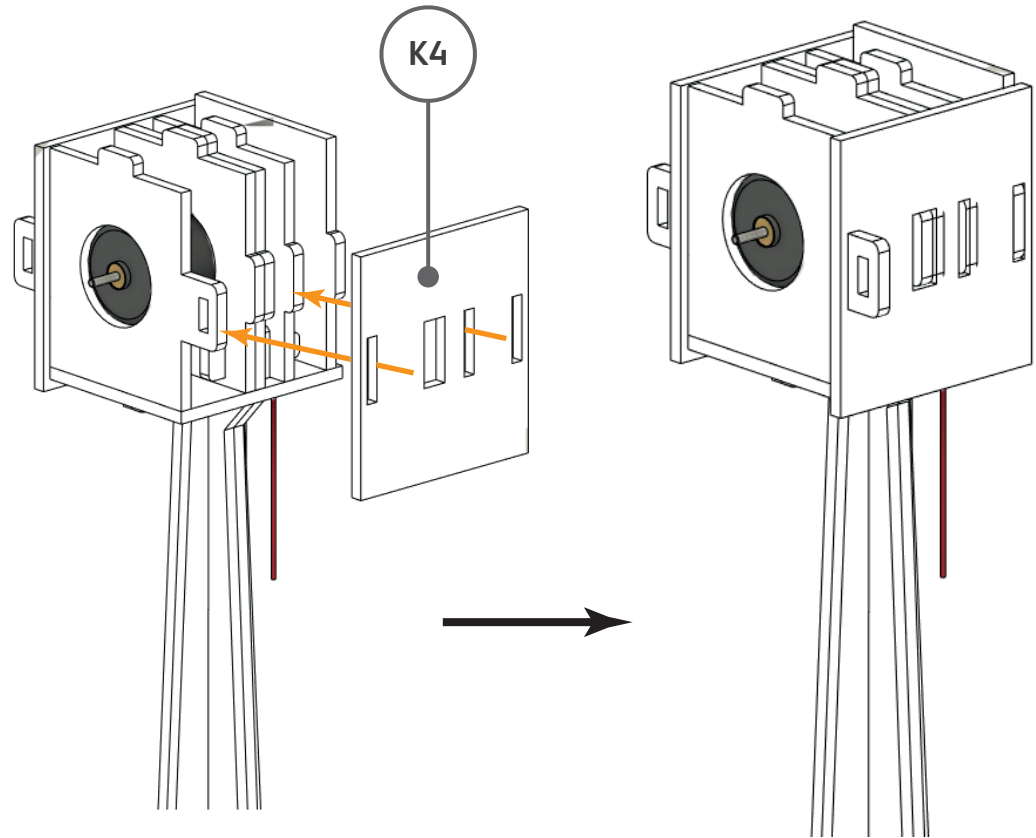
10

1 x K9



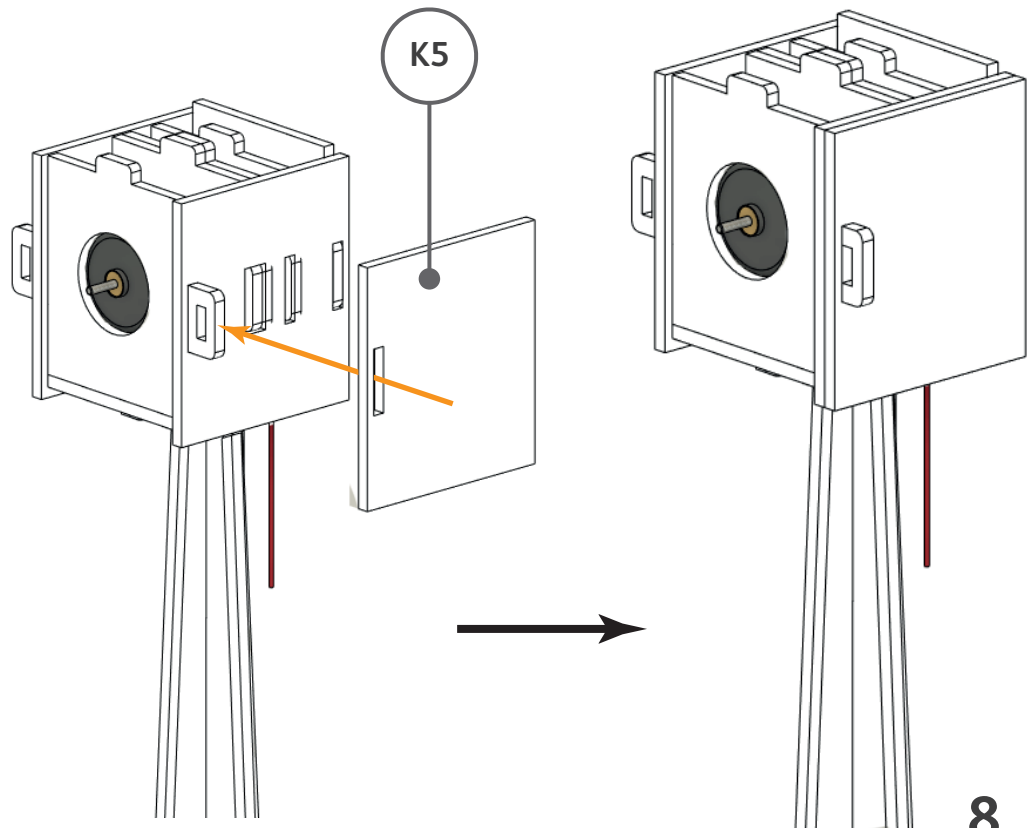
11

1 x K4



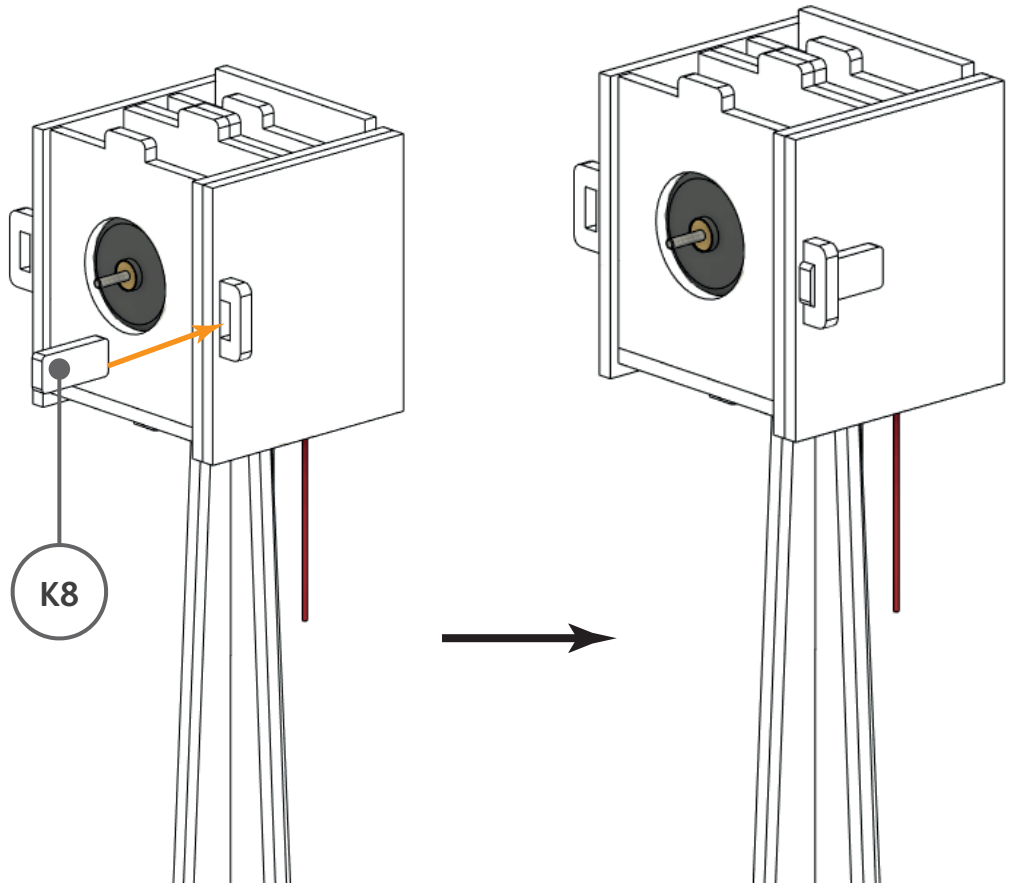
12

1 x K5



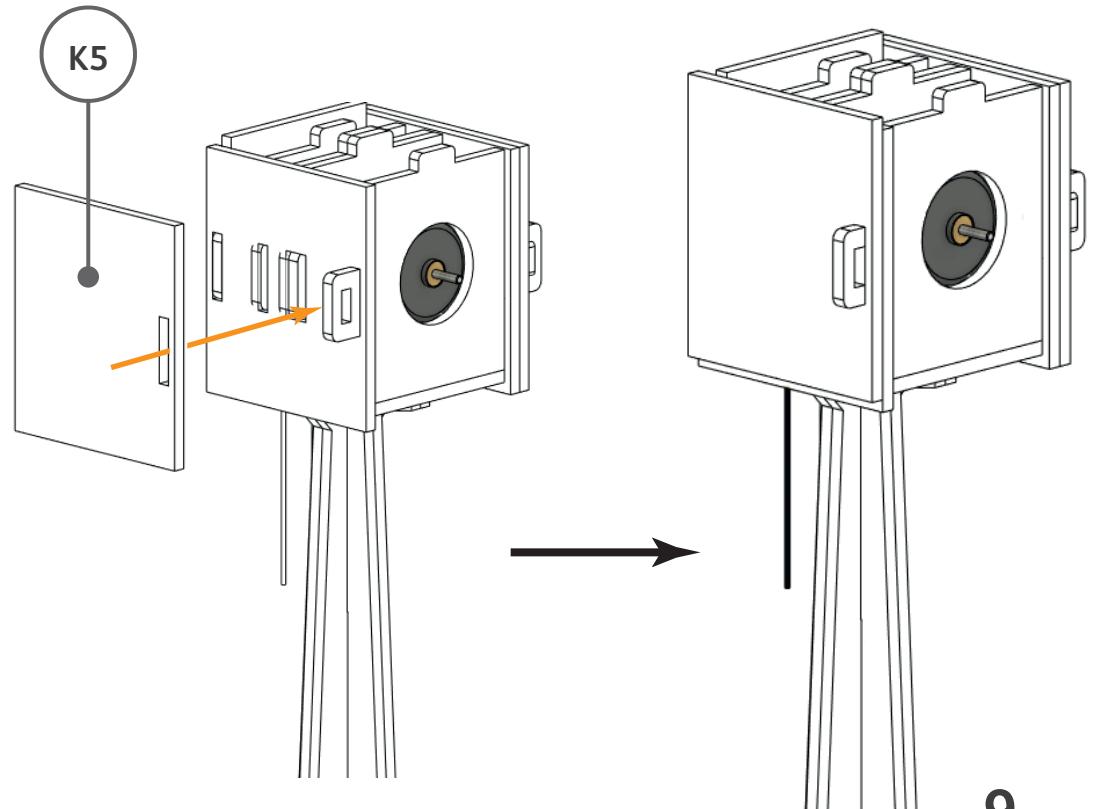
13

1 x K8



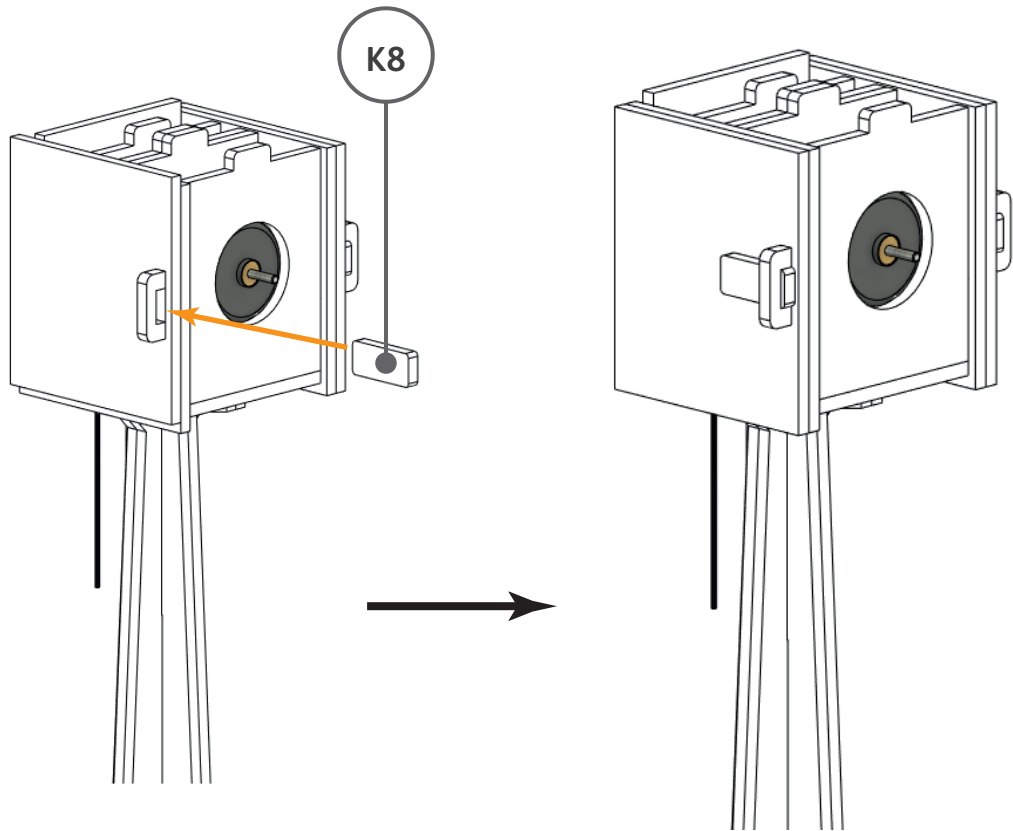
14

1 x K5



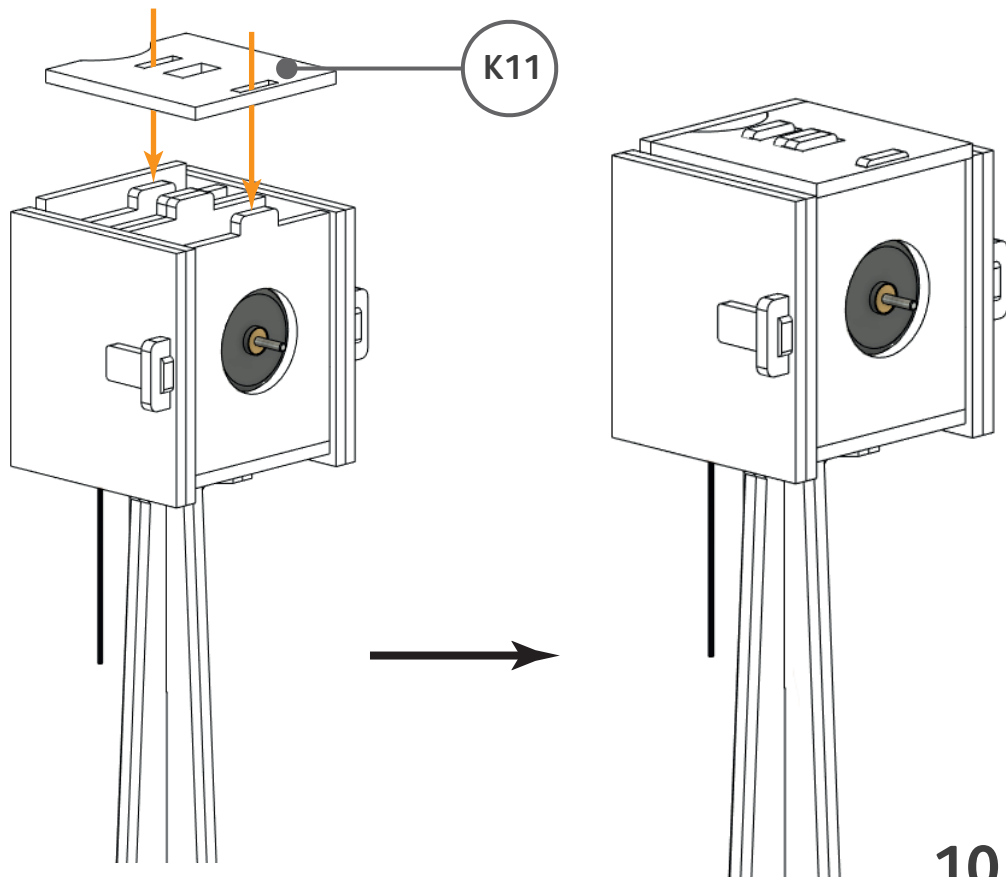
15

1 x K8



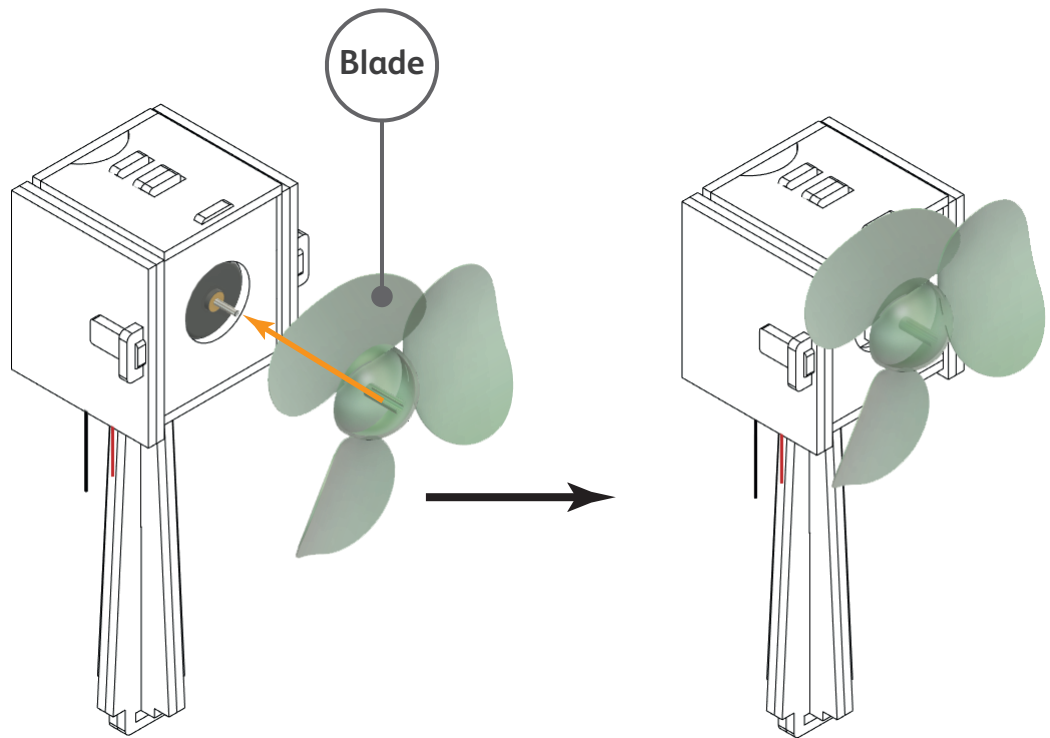
16

1 x K11

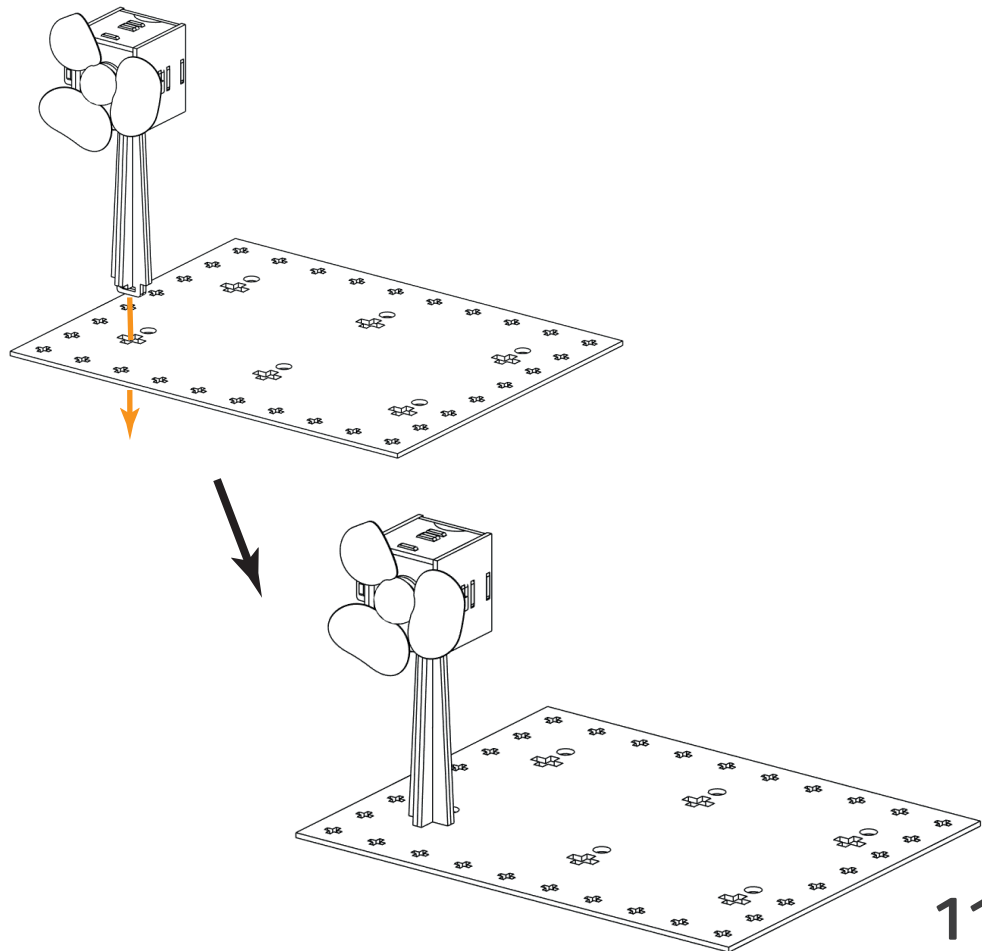


17

1 x Blade

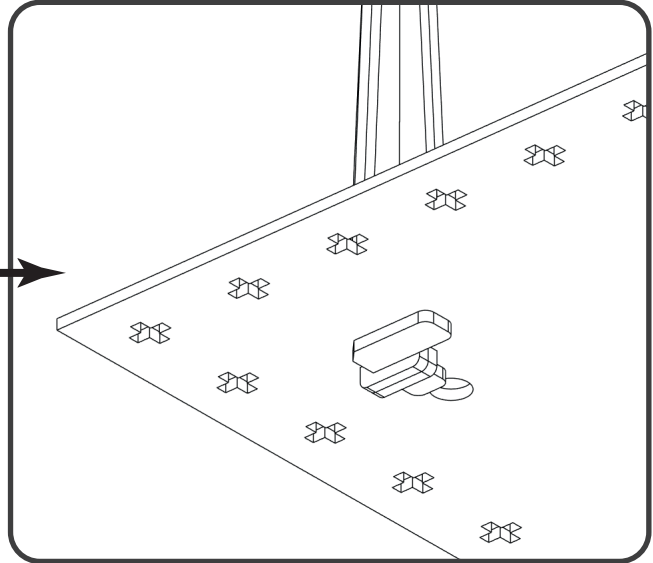
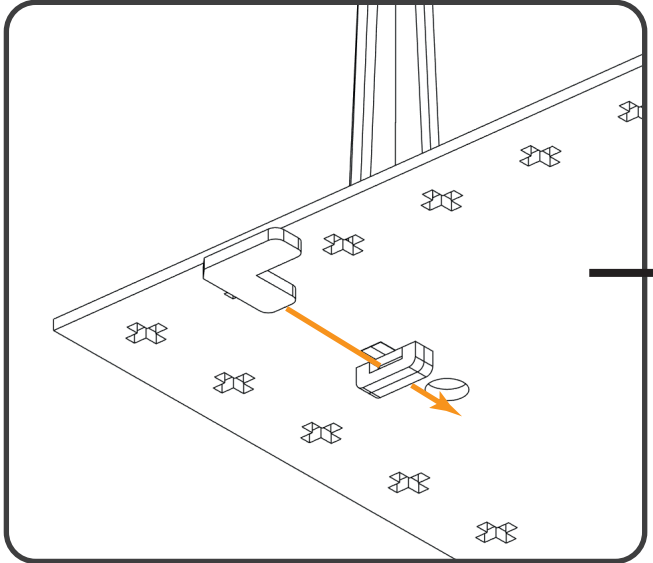
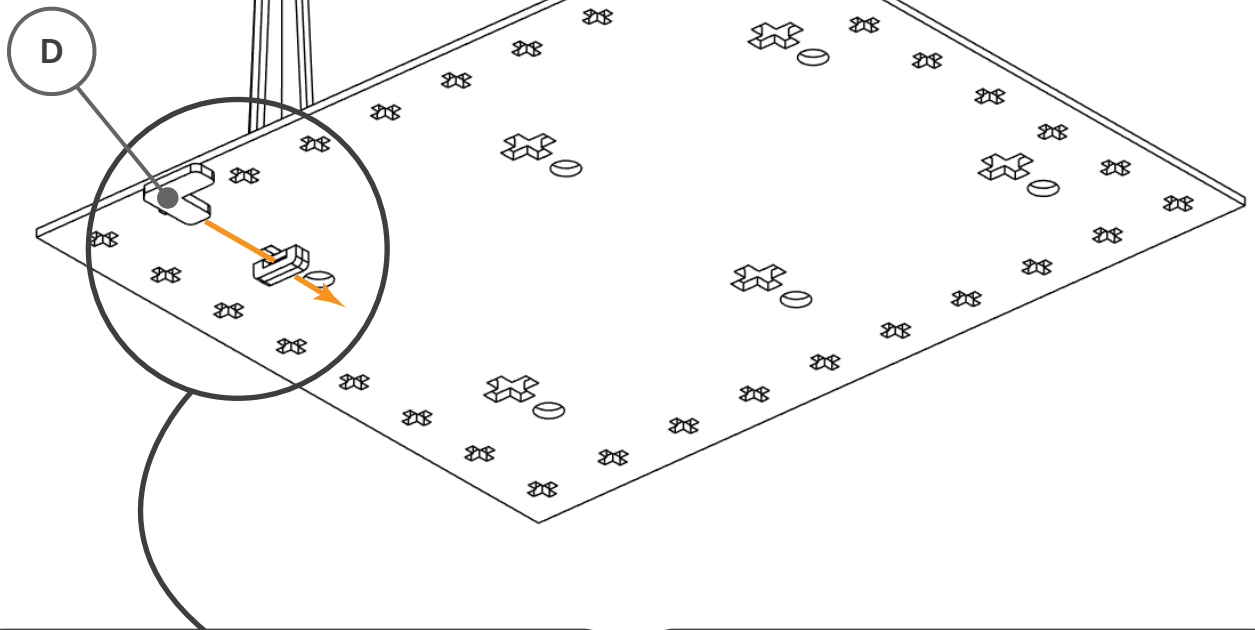
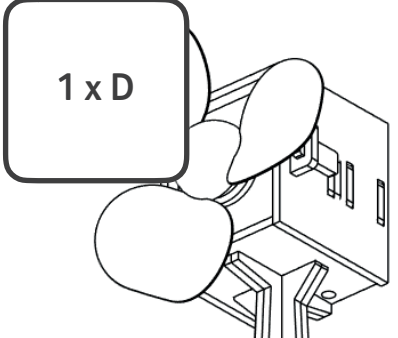


18



19

1 x D





Powered by
Rewise

Romania