



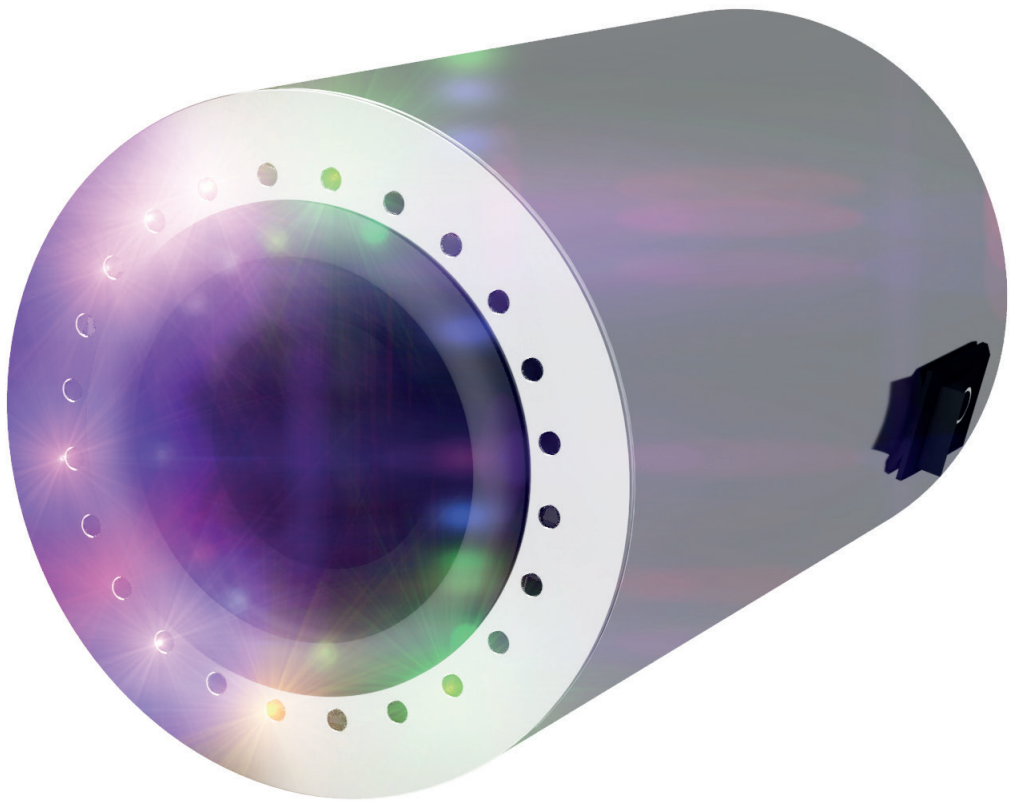
**GFG**  
FOUNDATION

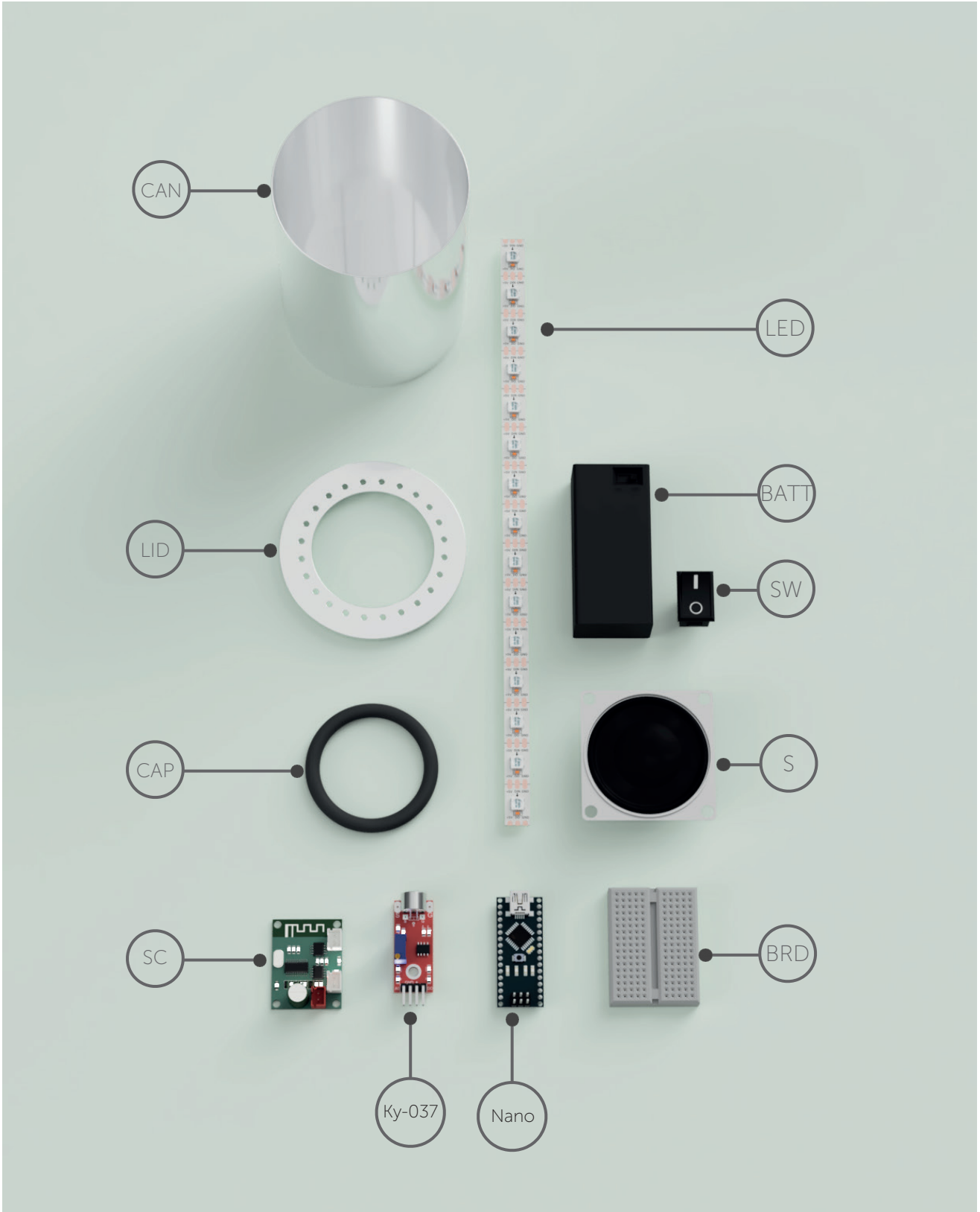
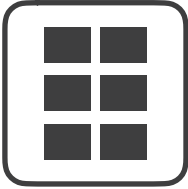
Powered by  
**Rewise**

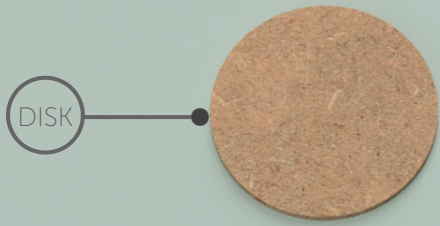
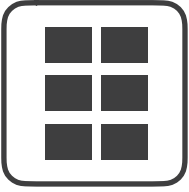
# GFG Foundation Provocarea STEAM

România



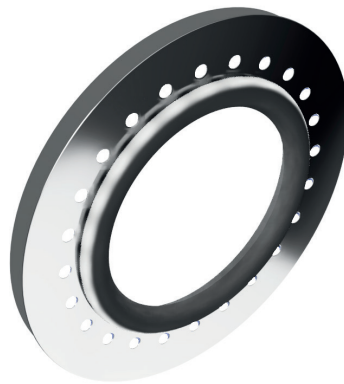






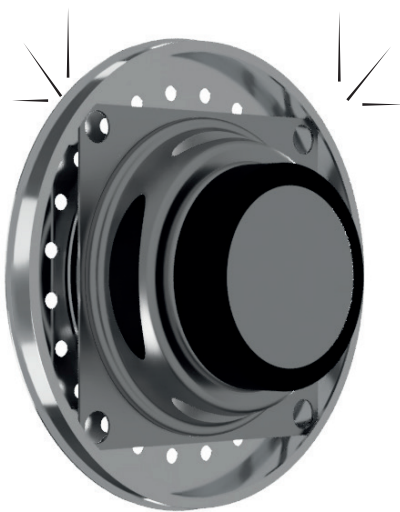
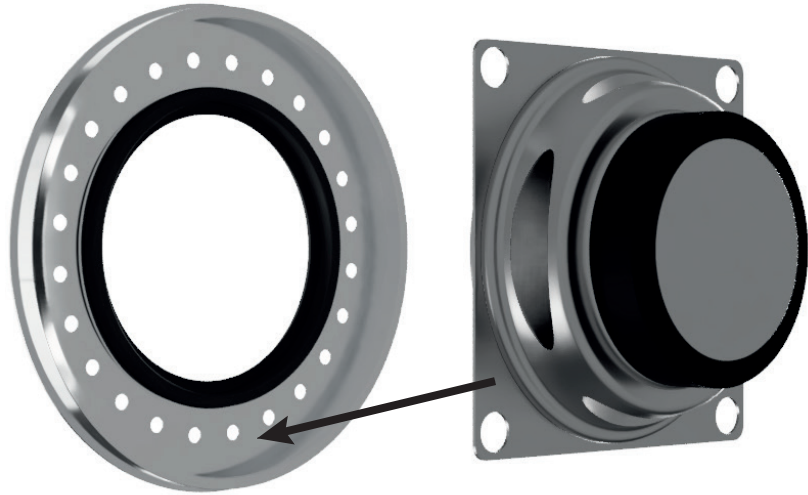
1

LID  
CAP



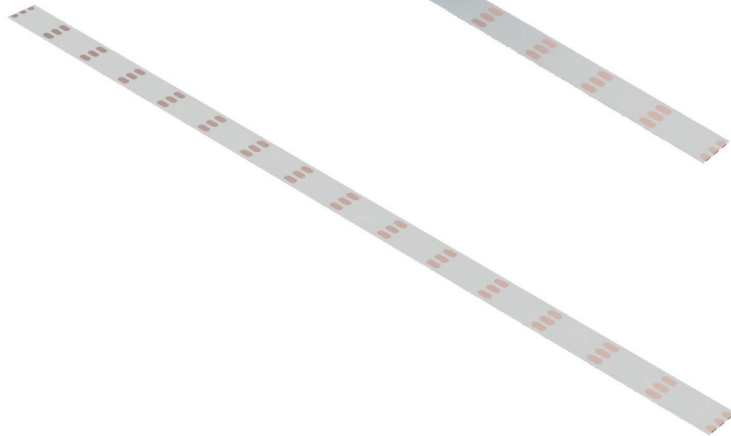
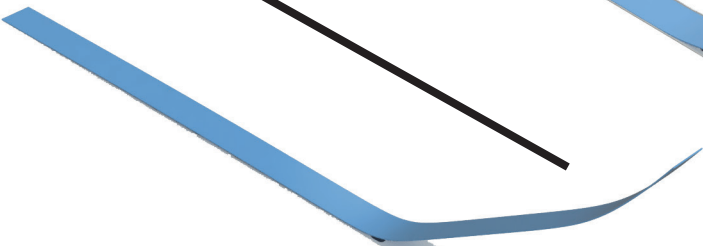
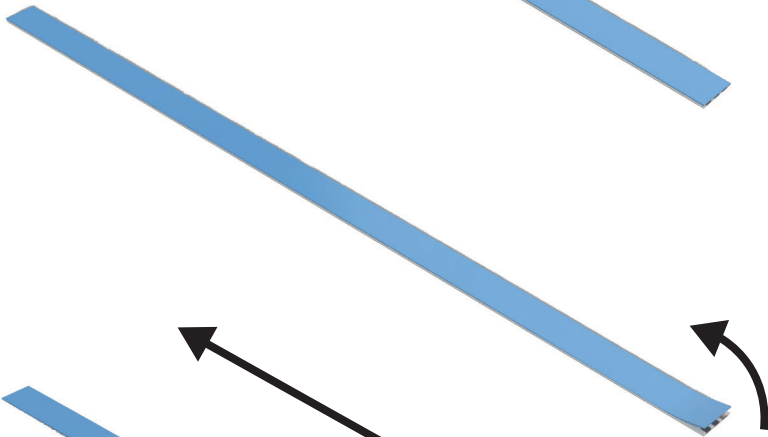
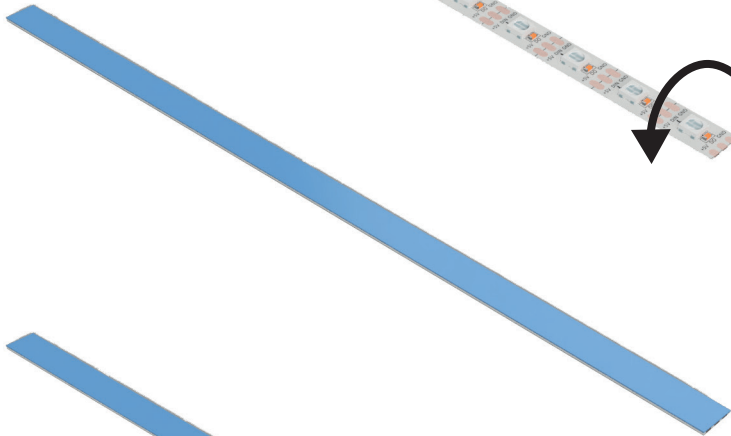
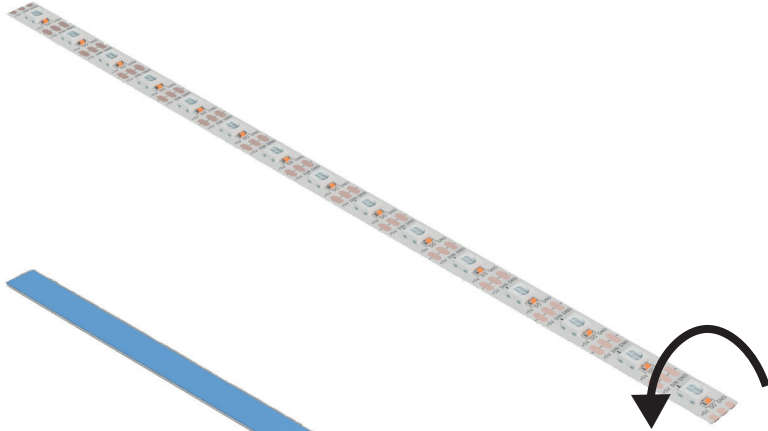
2

S



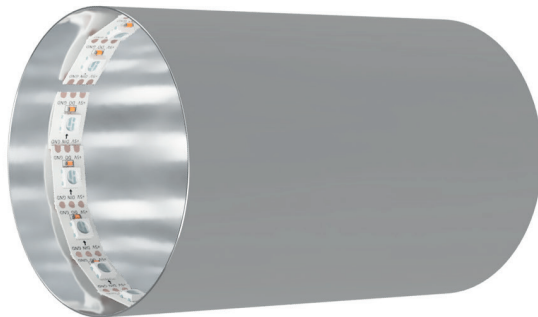
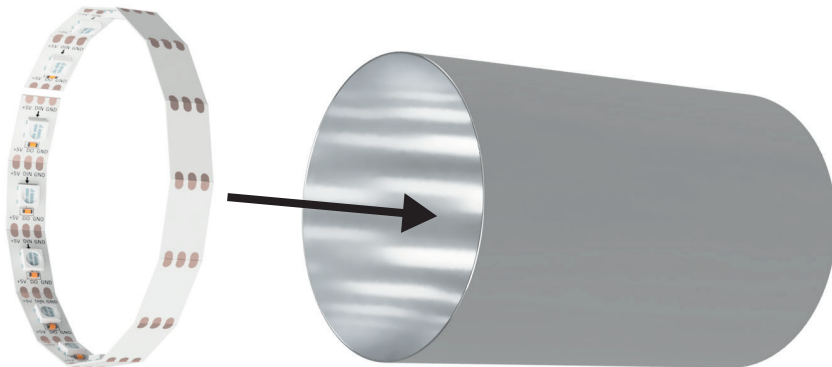
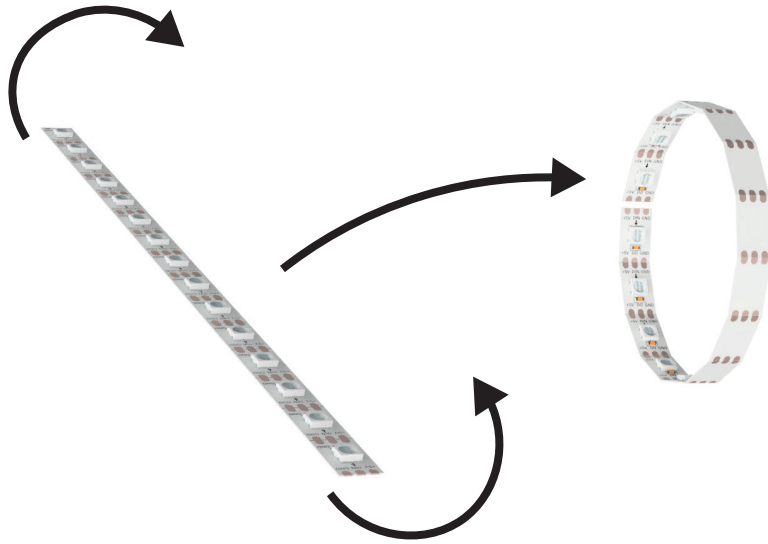
3

LED



4

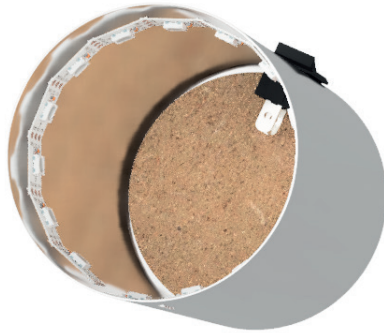
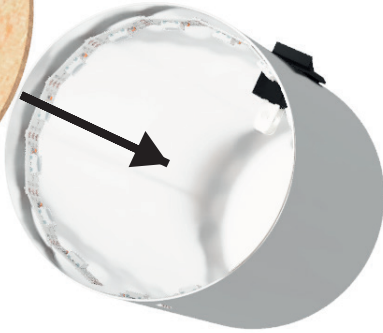
LED  
CAN





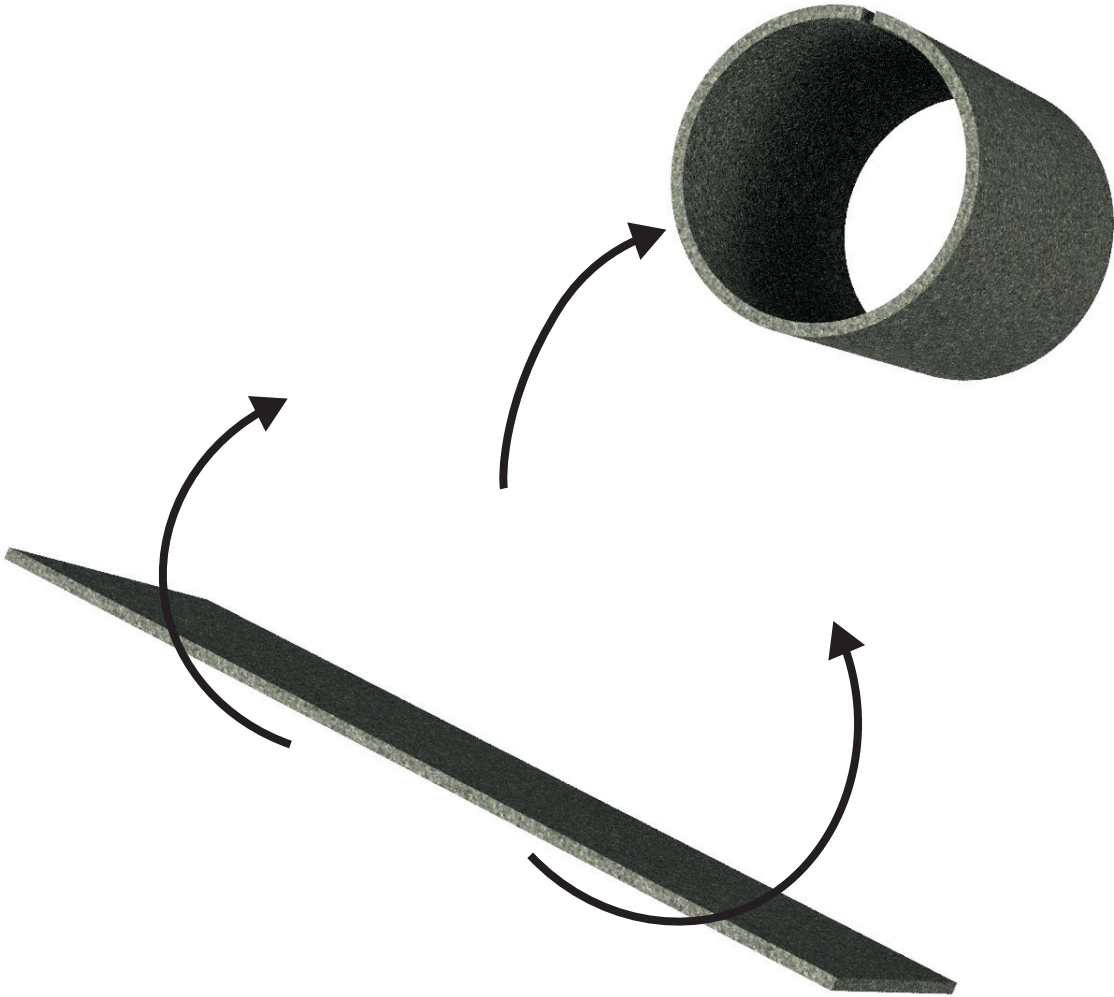
5

DISC



6

FOAM



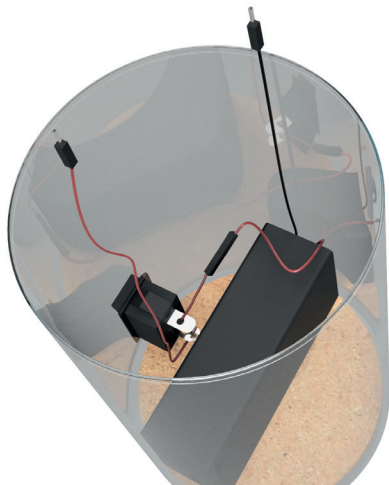
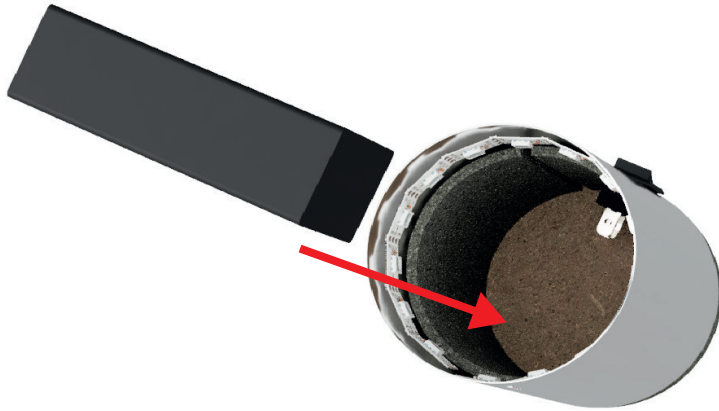
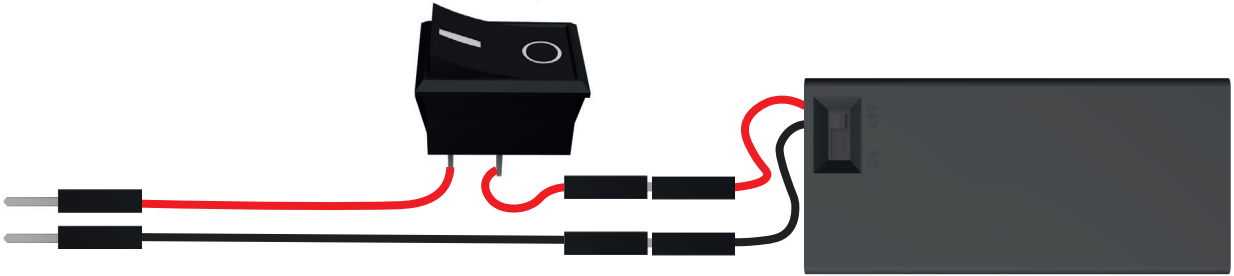
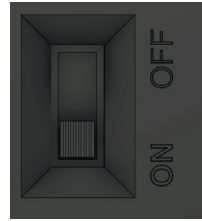
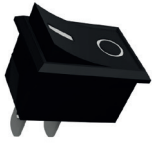
7

FOAM



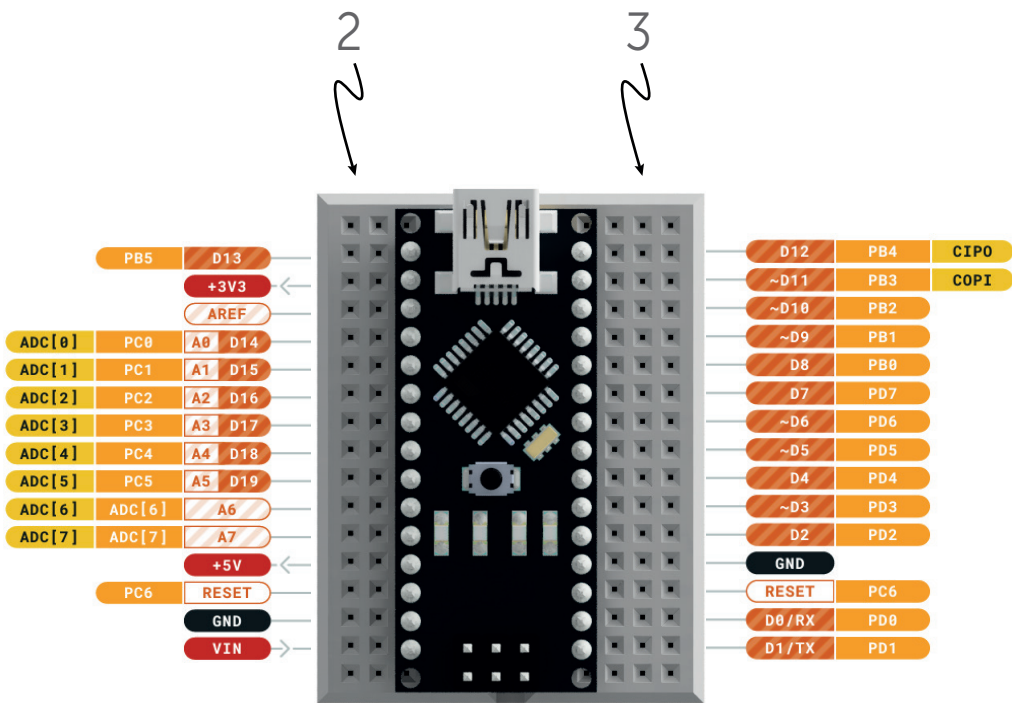
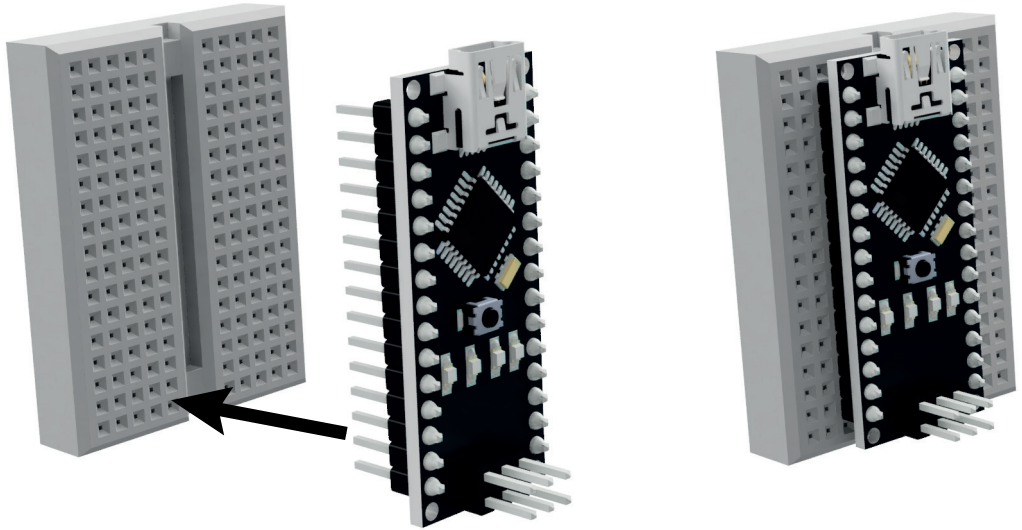
8

BATT  
SW



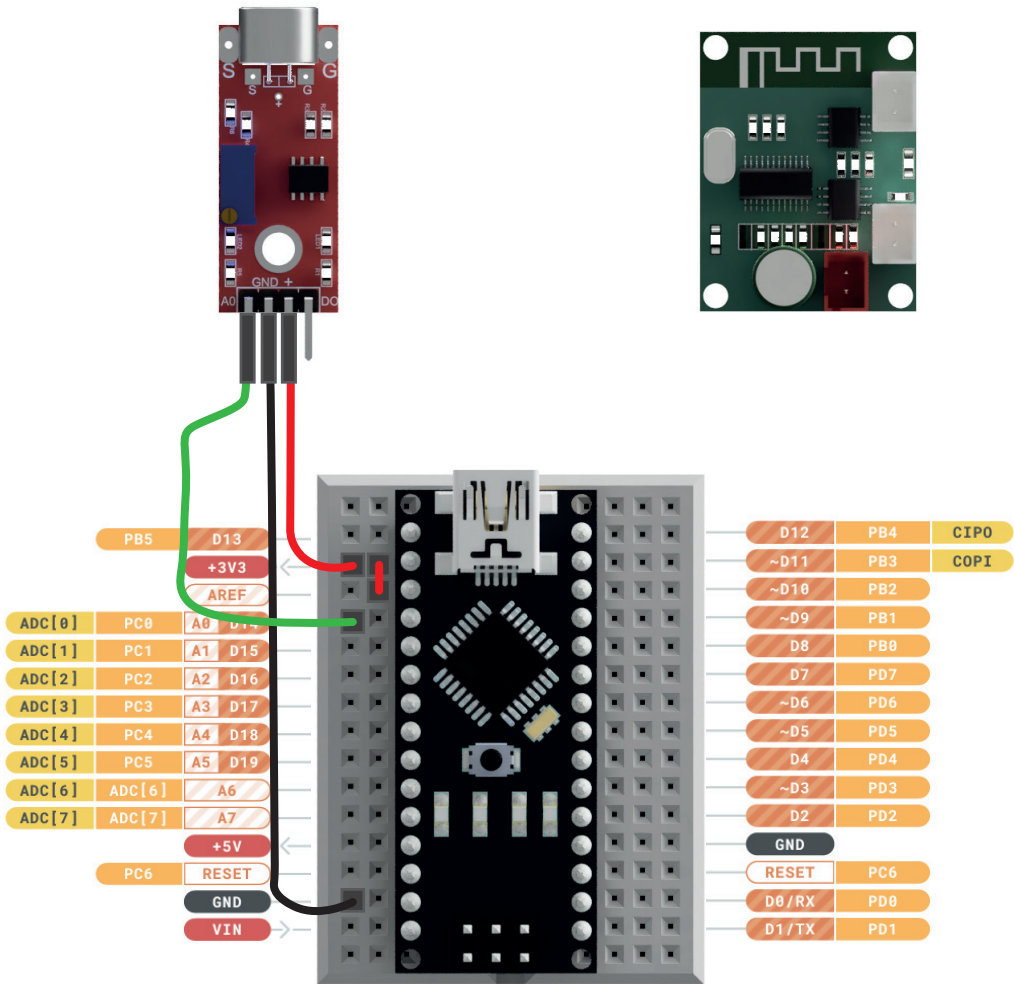
9

BRD  
Nano



10

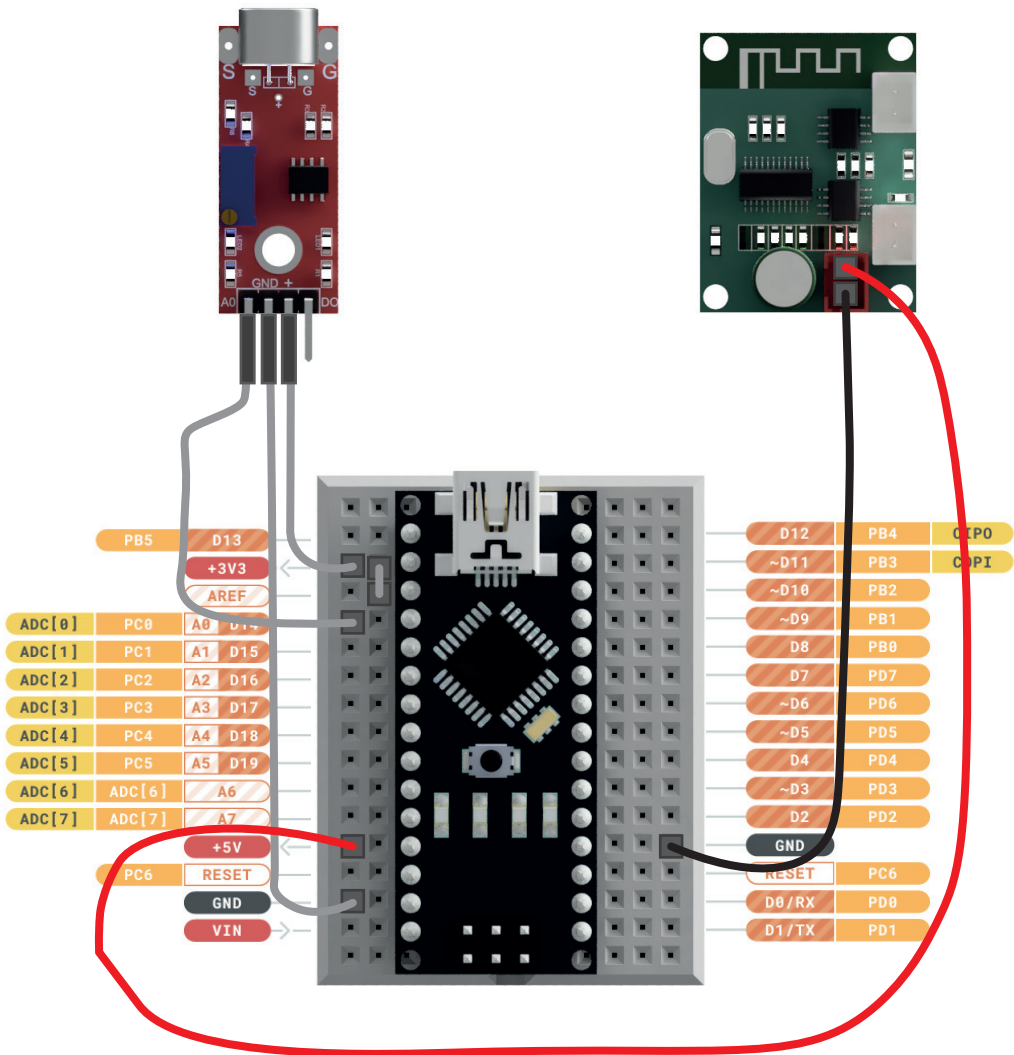
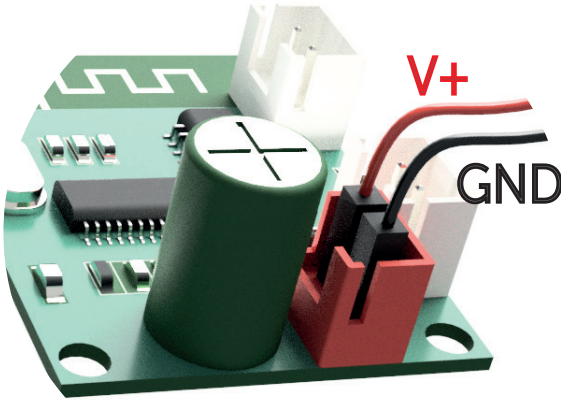
SC  
Ky-037





11

SC  
Ky-037

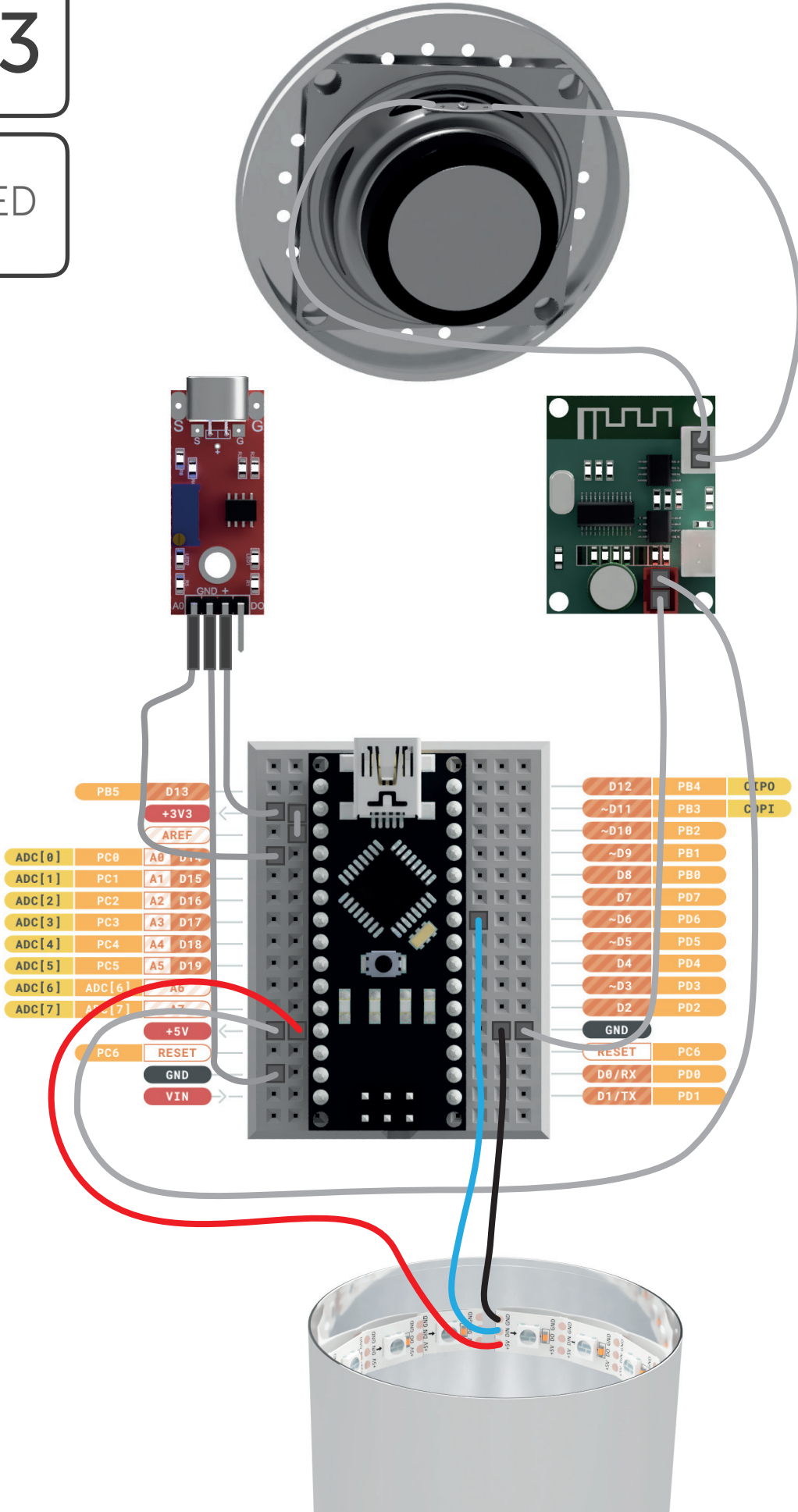






13

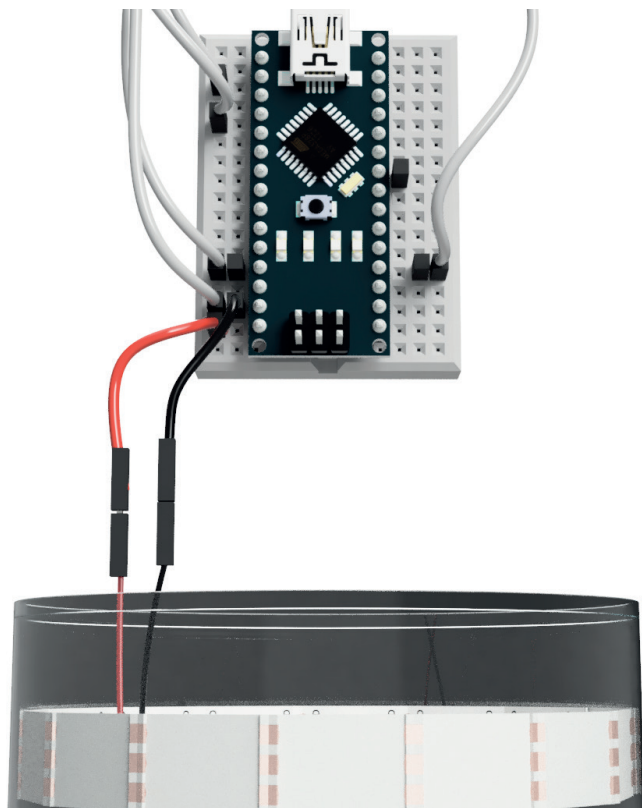
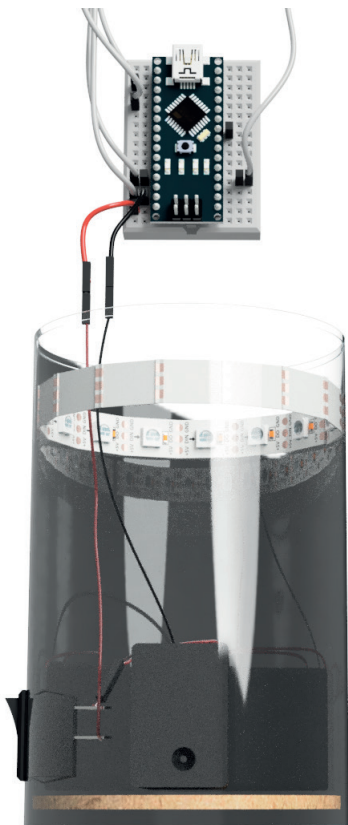
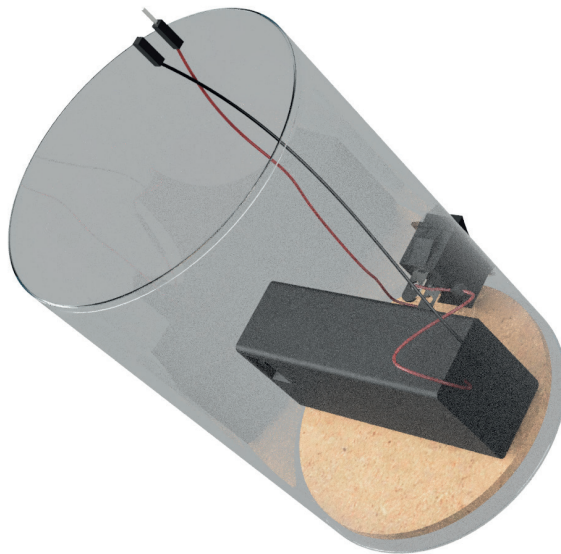
LED





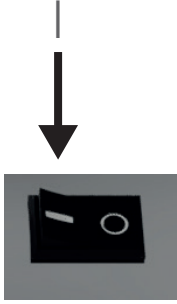
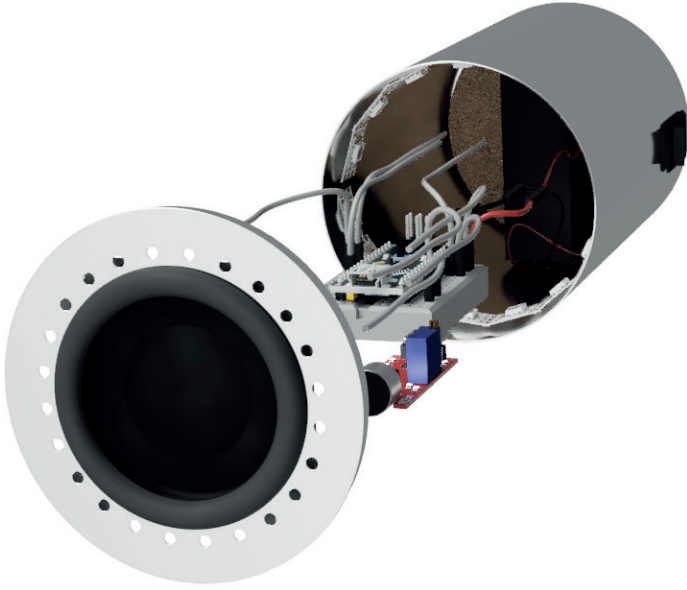
15

BATT  
SW



16

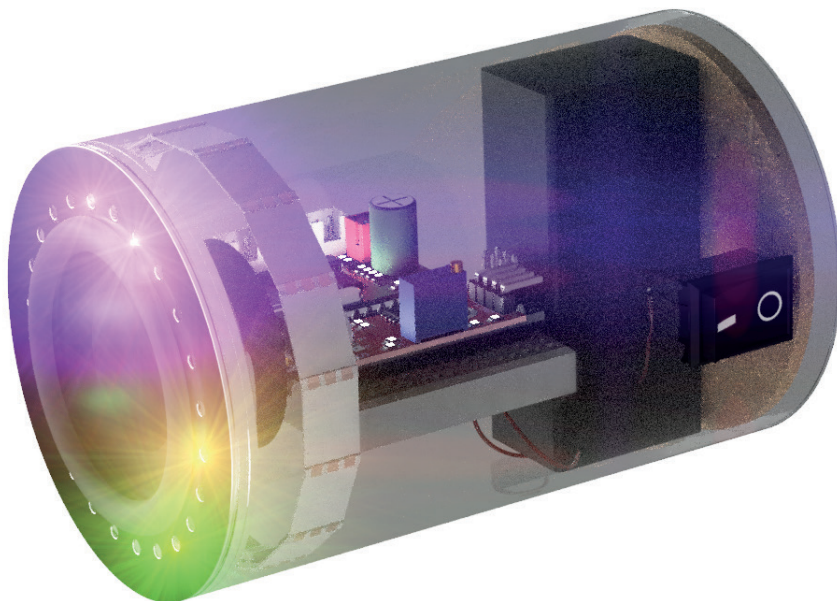
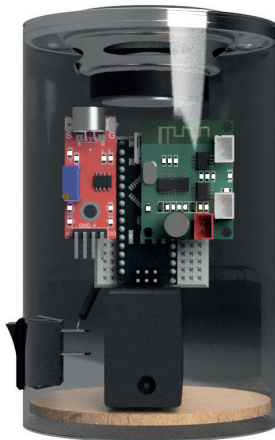
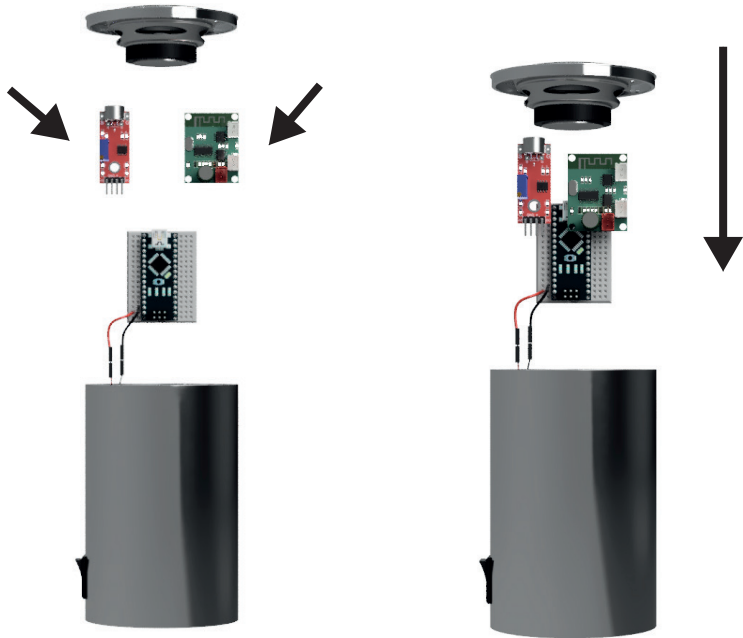
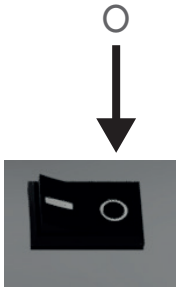
?



17



17









Powered by  
**Rewise**

---

**Romania**