



**GFG**  
FOUNDATION

Powered by  
**Rewise**

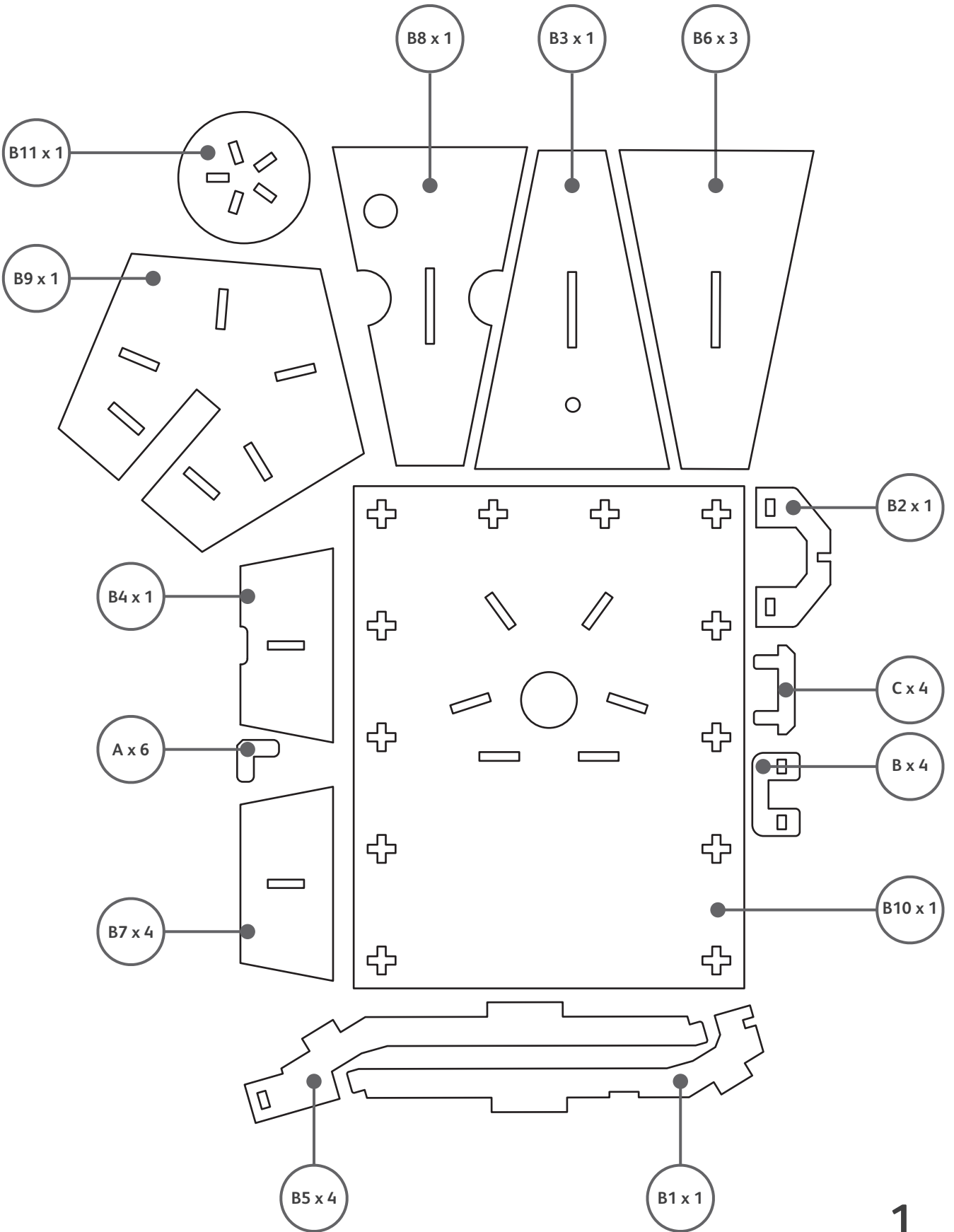
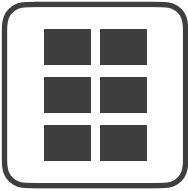
# GFG Foundation Provocarea STEAM

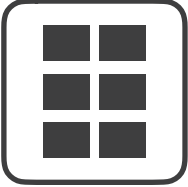
Furnalul

România, 2023



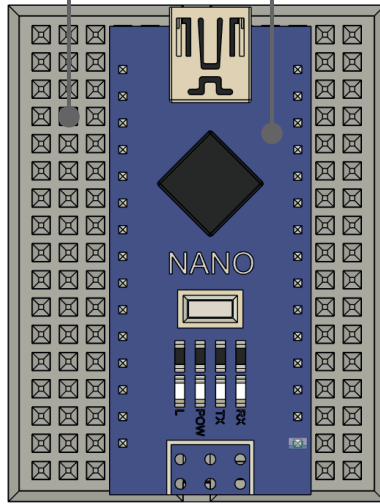






Breadboard  
x 1

Arduino  
Nano  
x 1



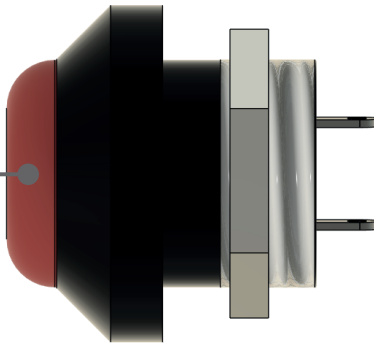
LED  
Strip  
x 1



Red LED  
x 1

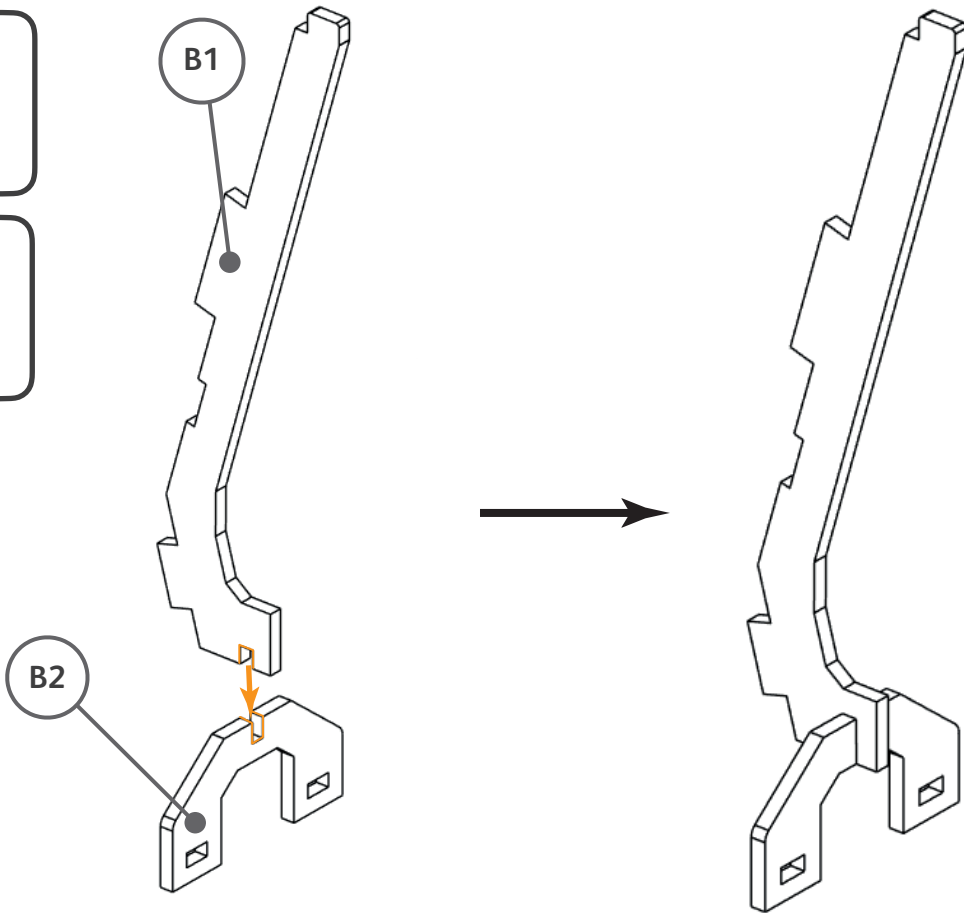


Button  
x 1



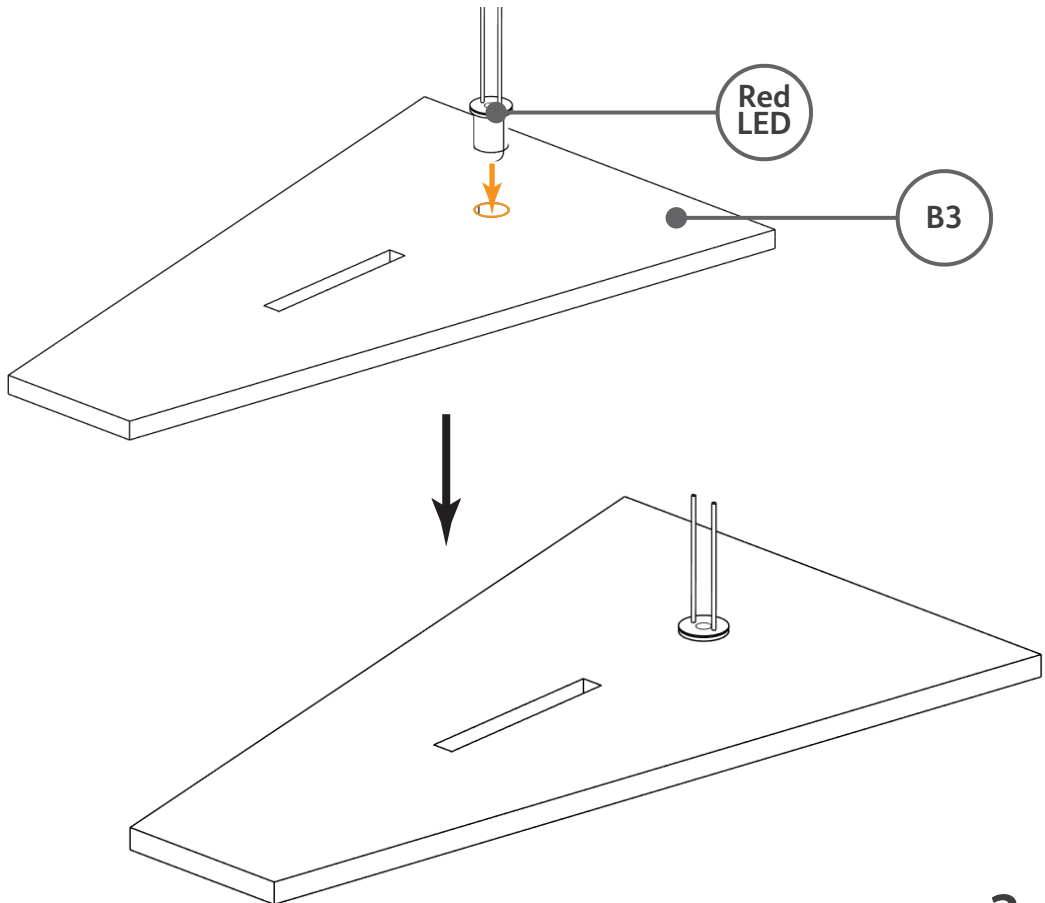
1

1 x B1  
1 x B2



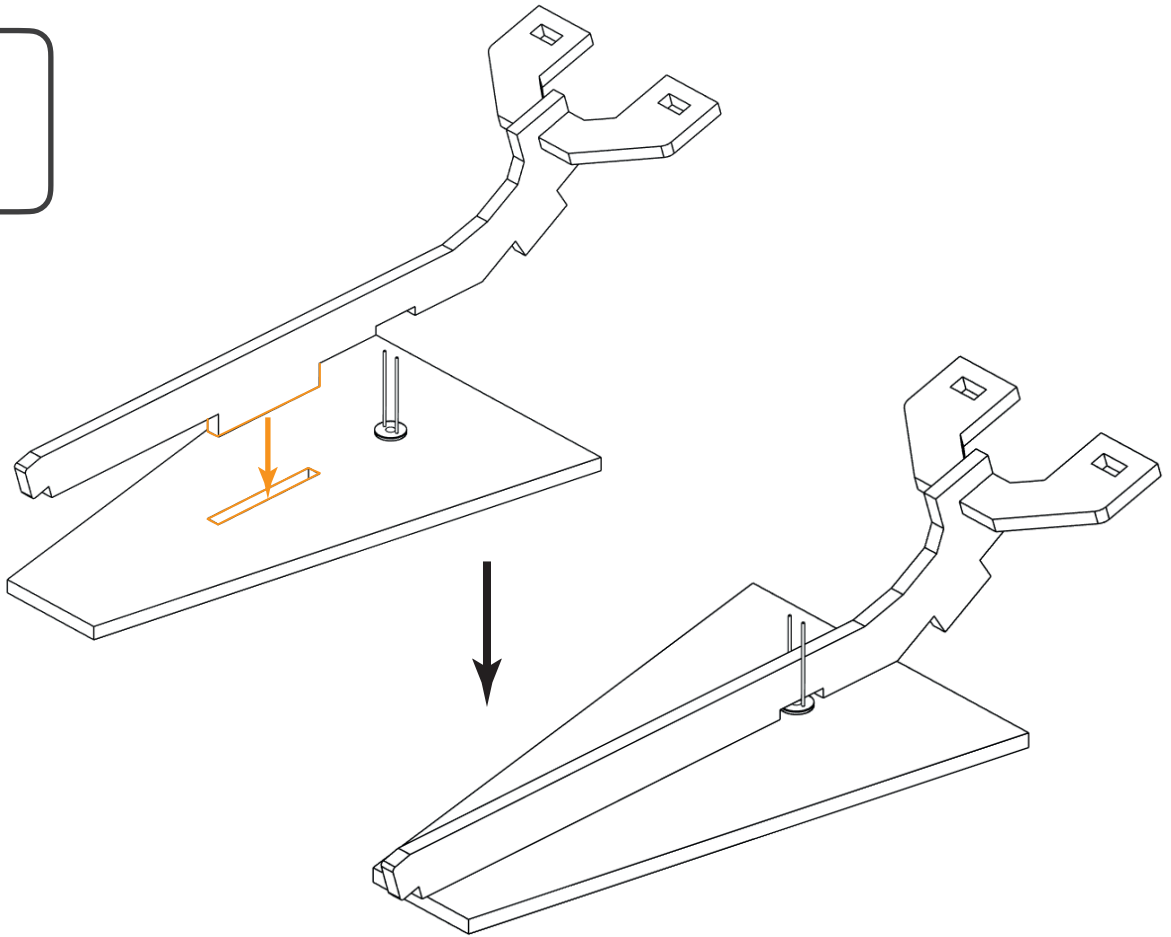
2

1 x Red  
LED  
1 x B3



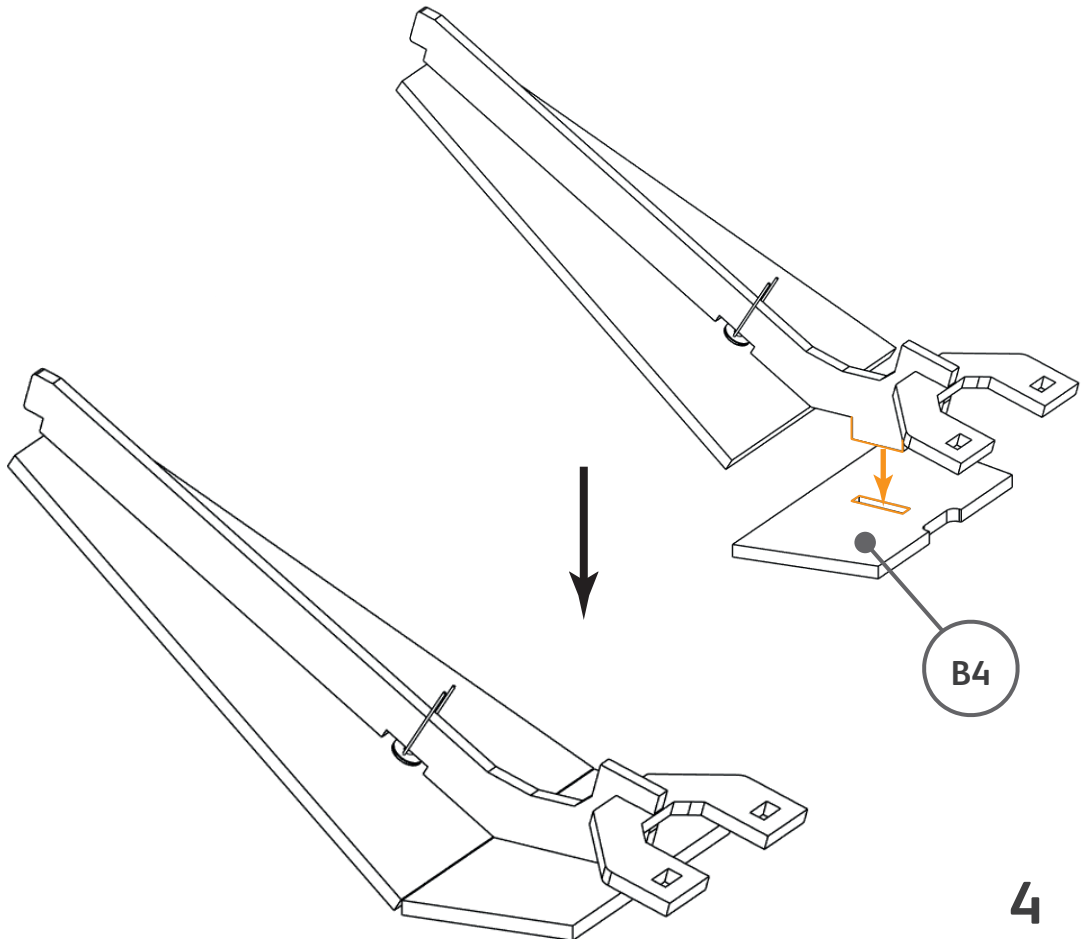
3

3



4

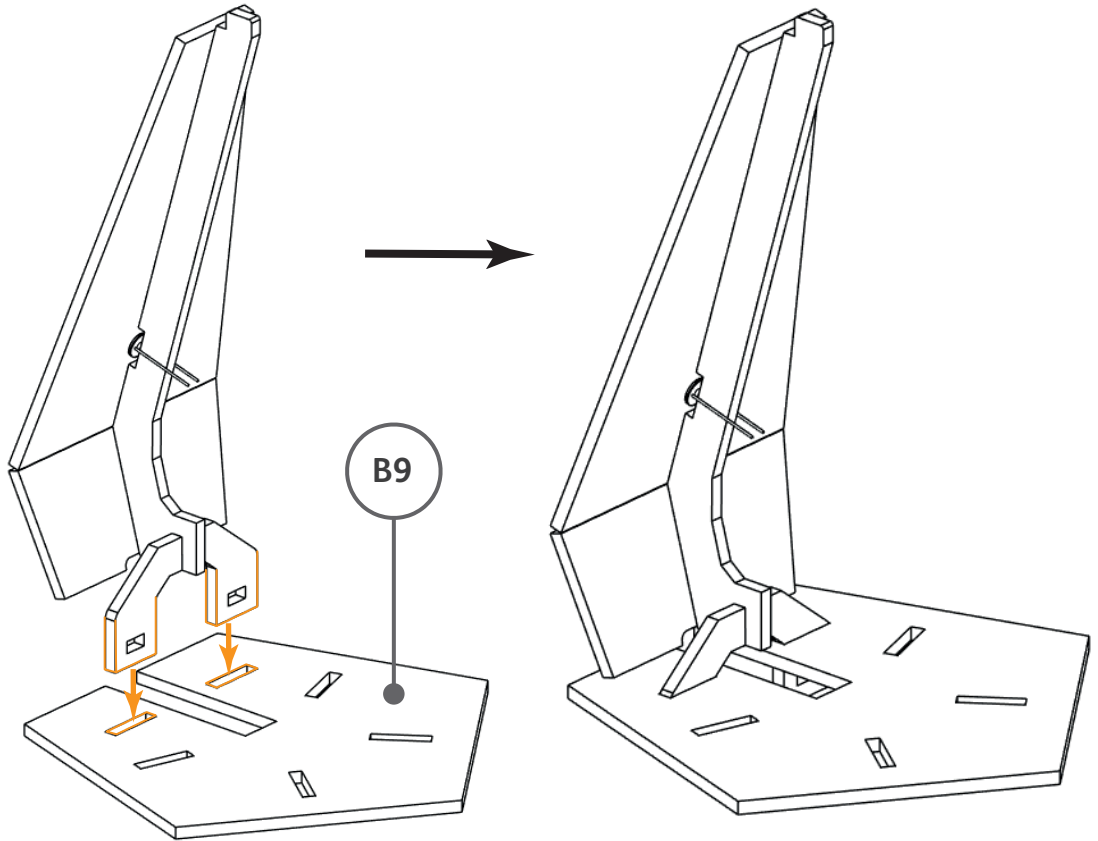
1 x B4



4

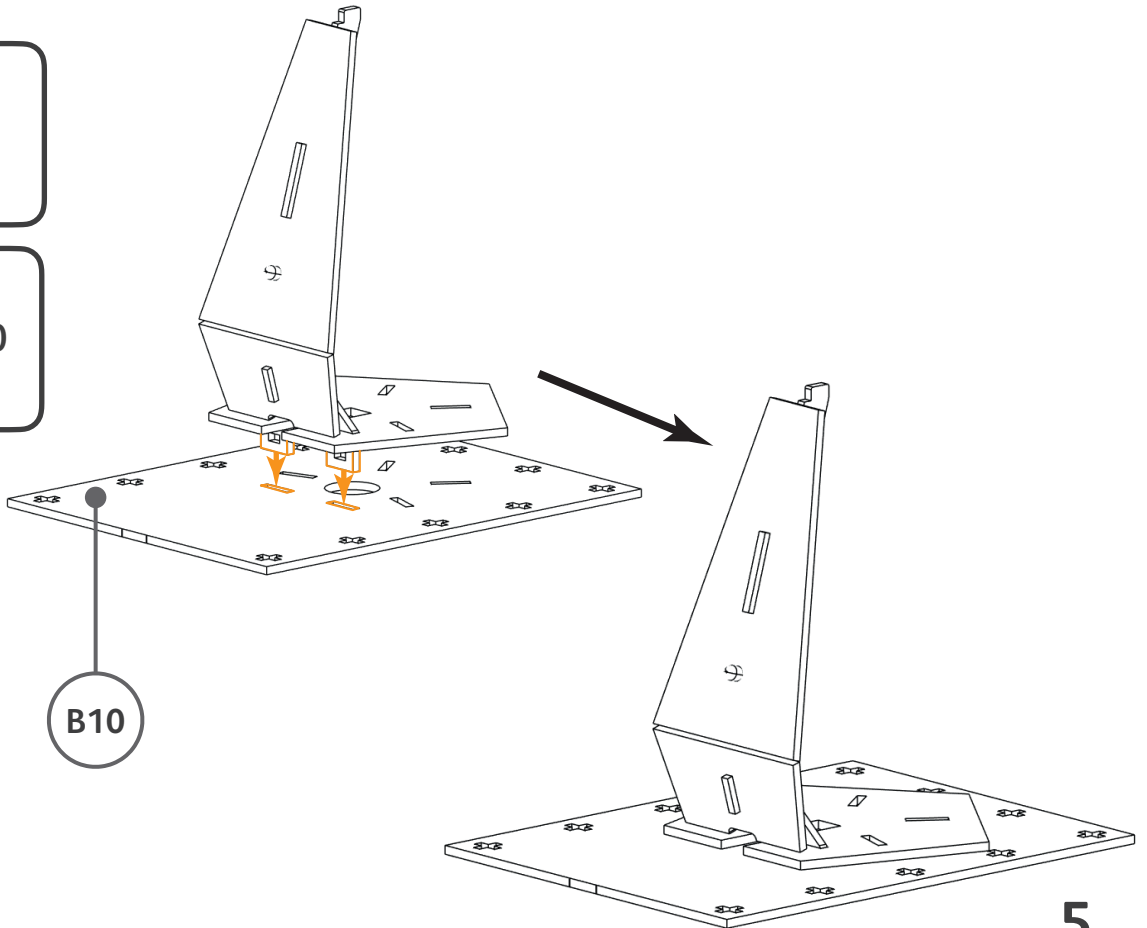
5

1 x B9



6

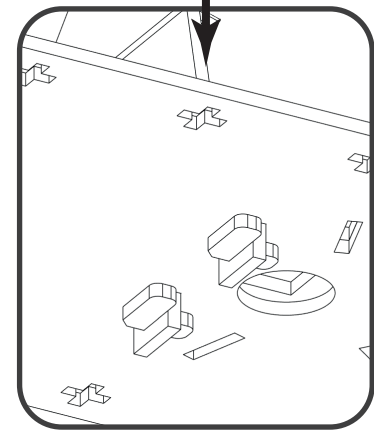
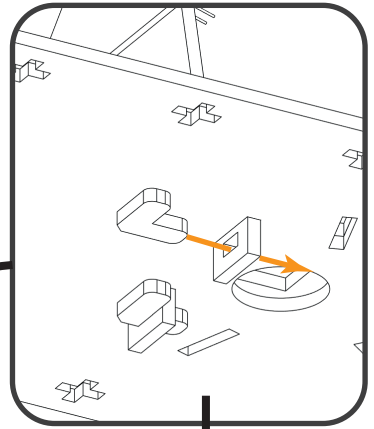
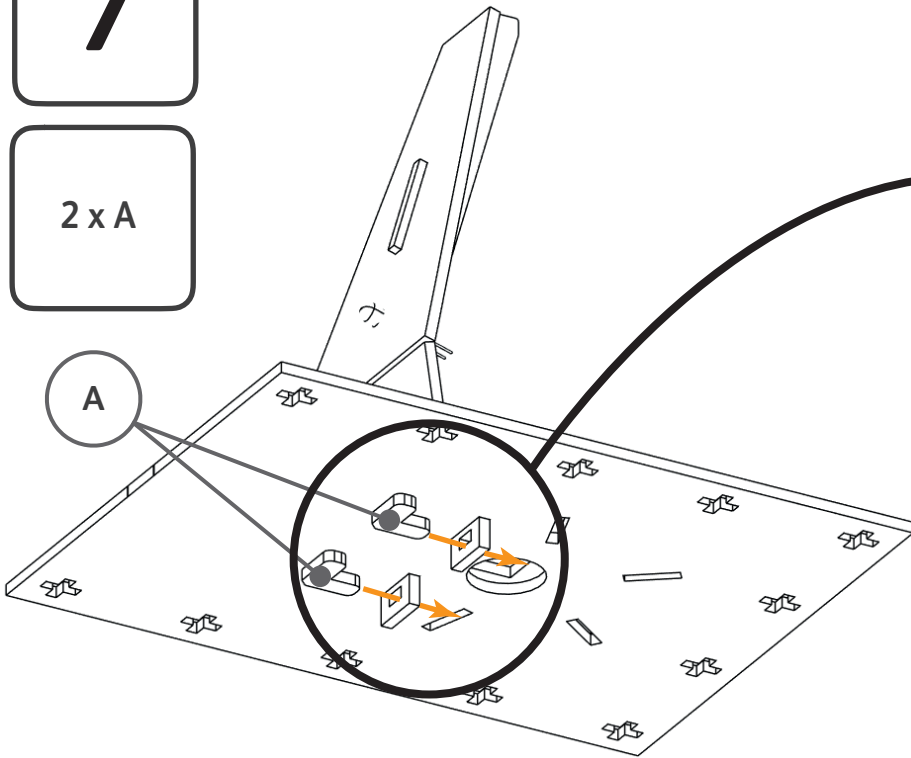
1 x B10



7

2 x A

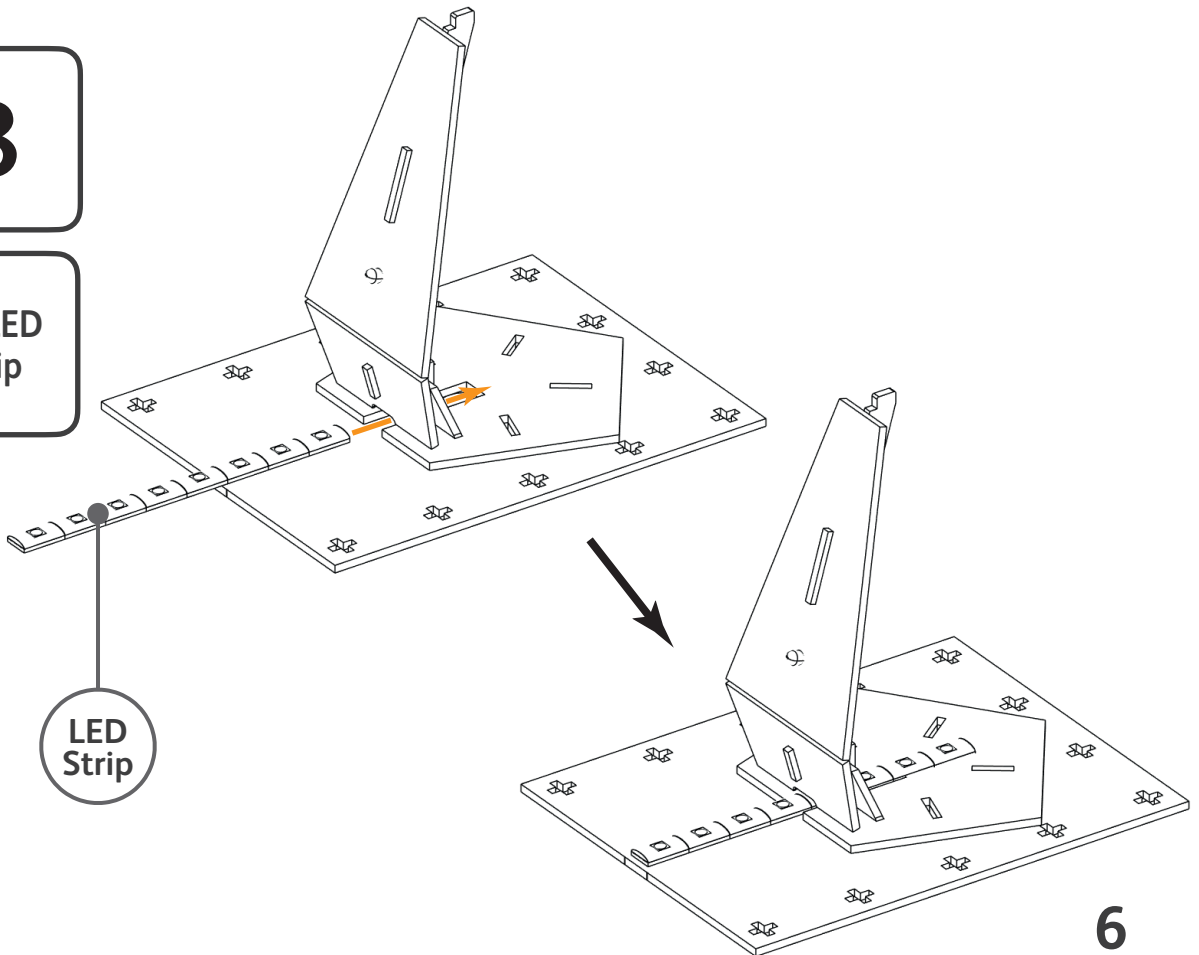
A



8

1 x LED Strip

LED Strip

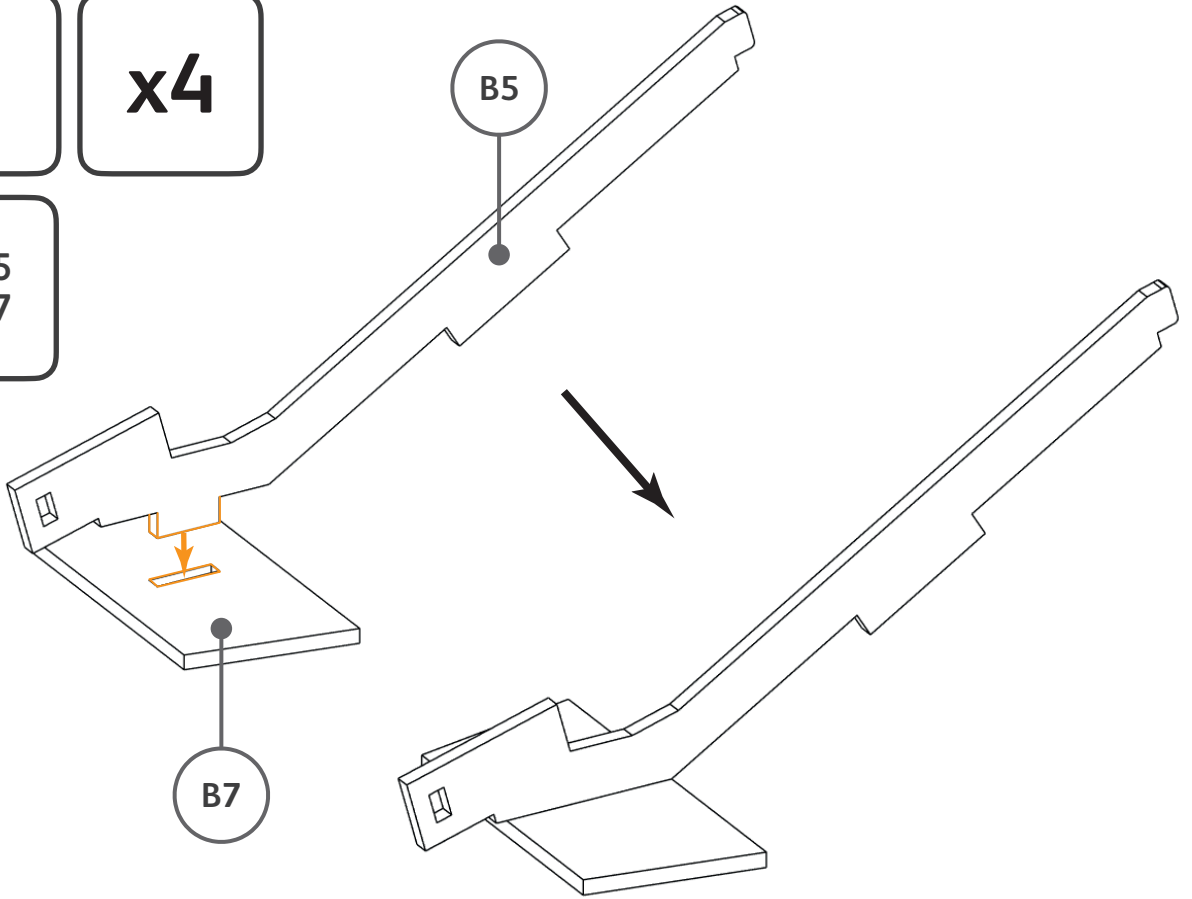




9

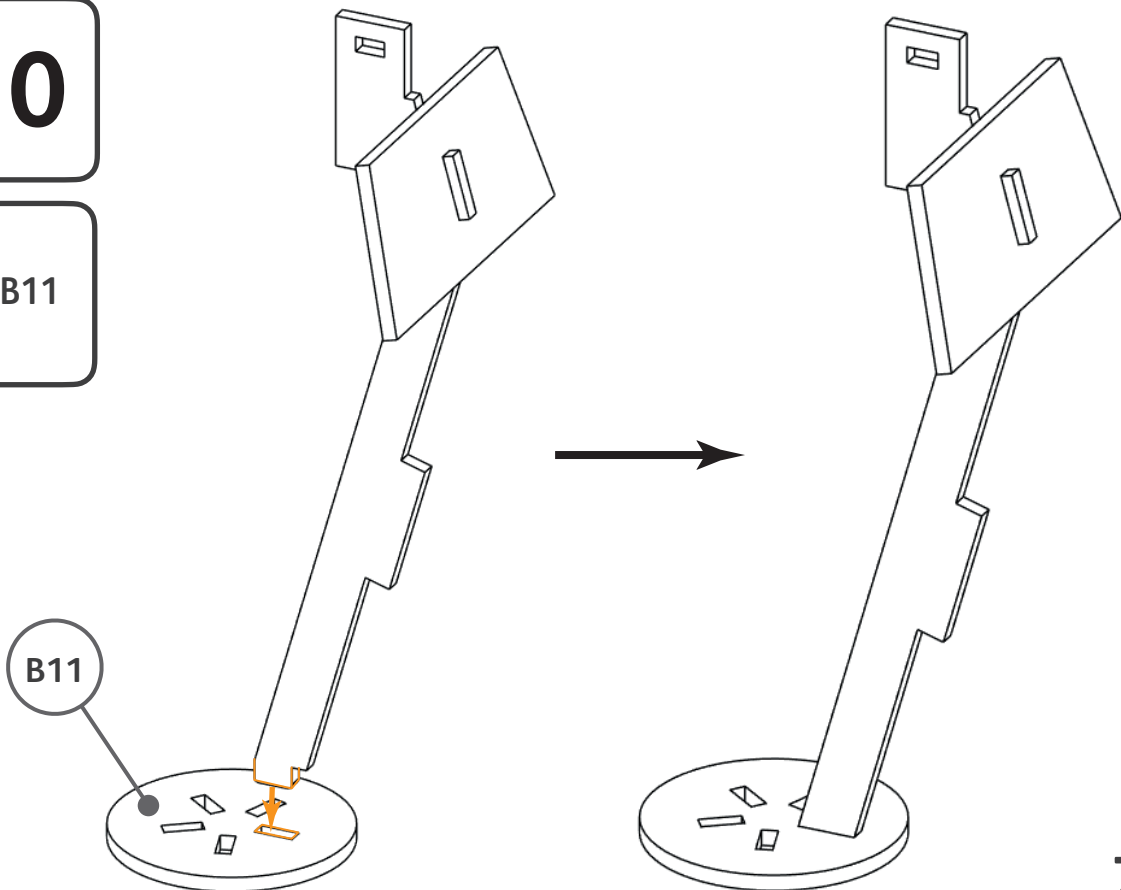
x4

4 x B5  
4 x B7

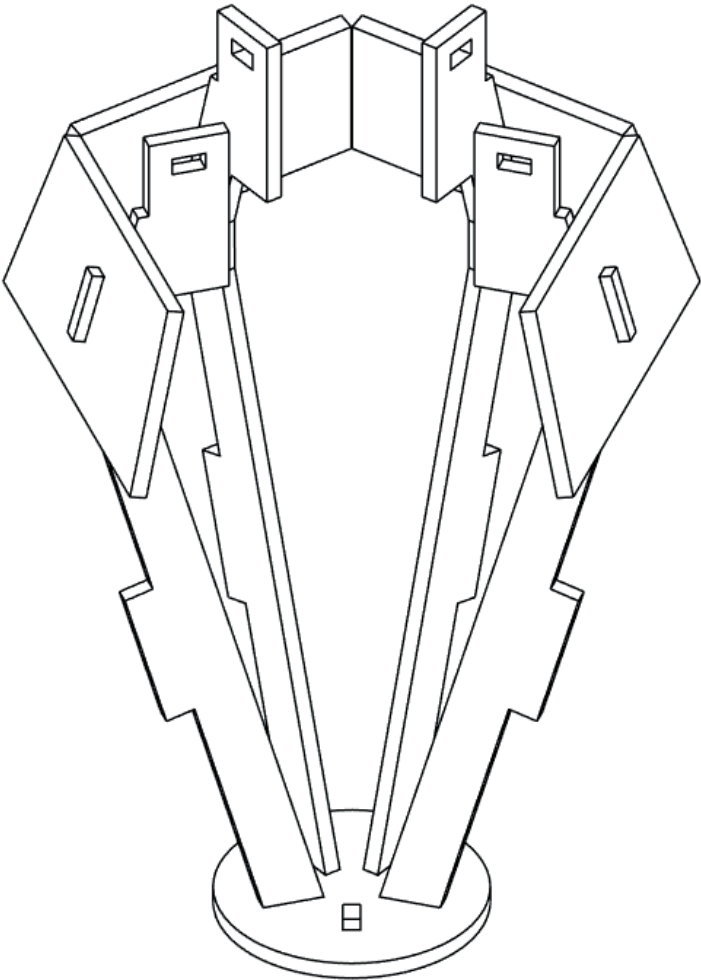
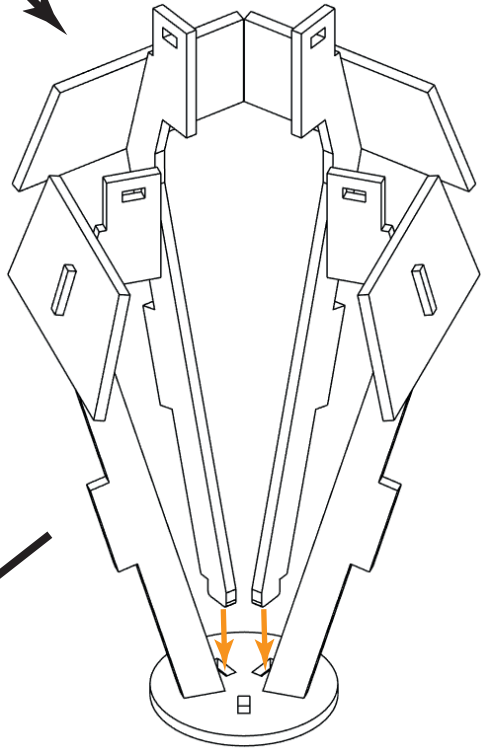
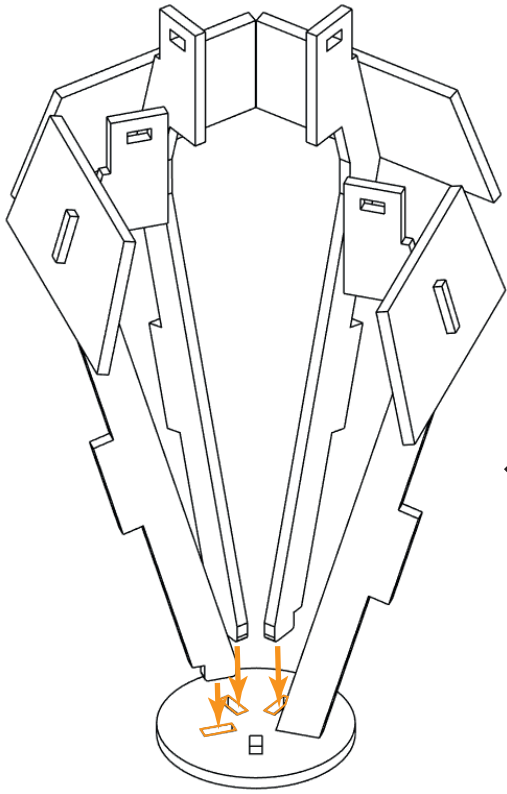


10

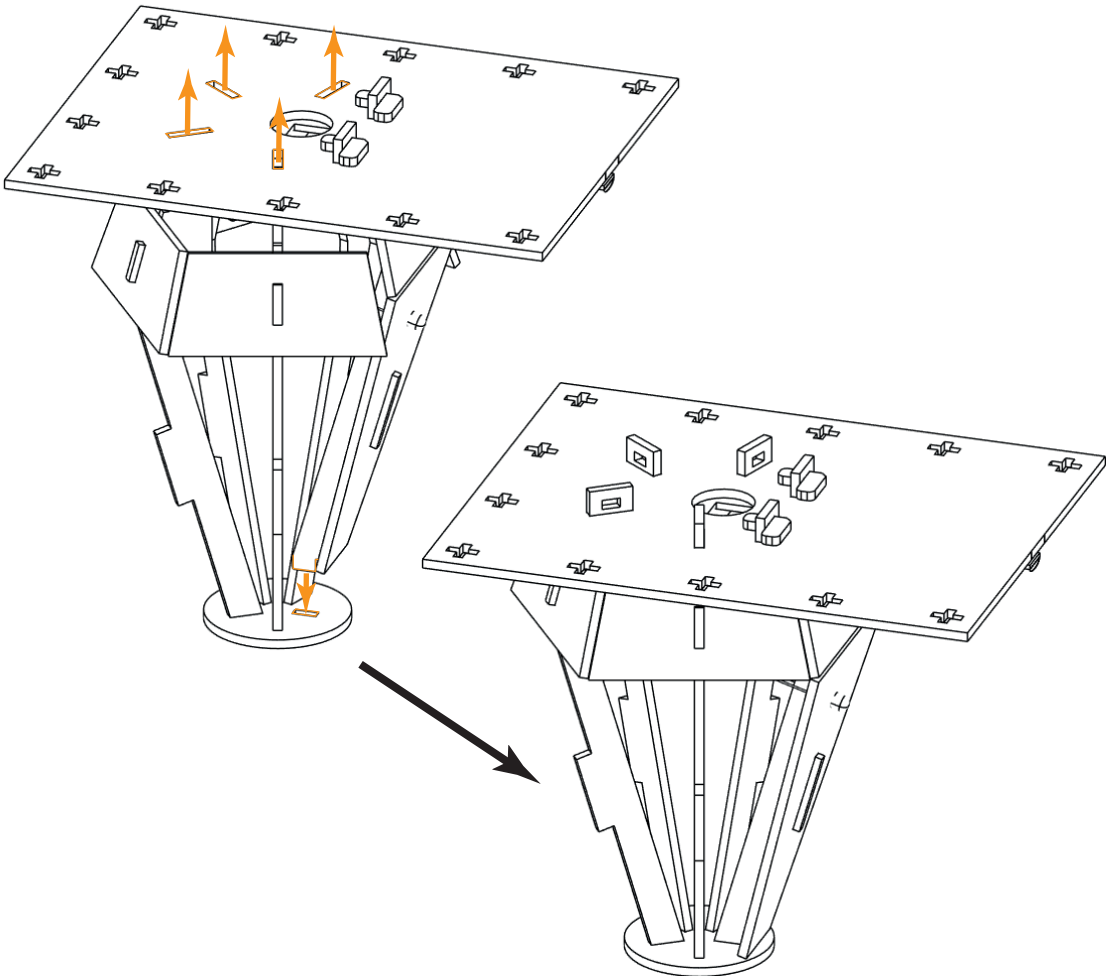
1 x B11



11

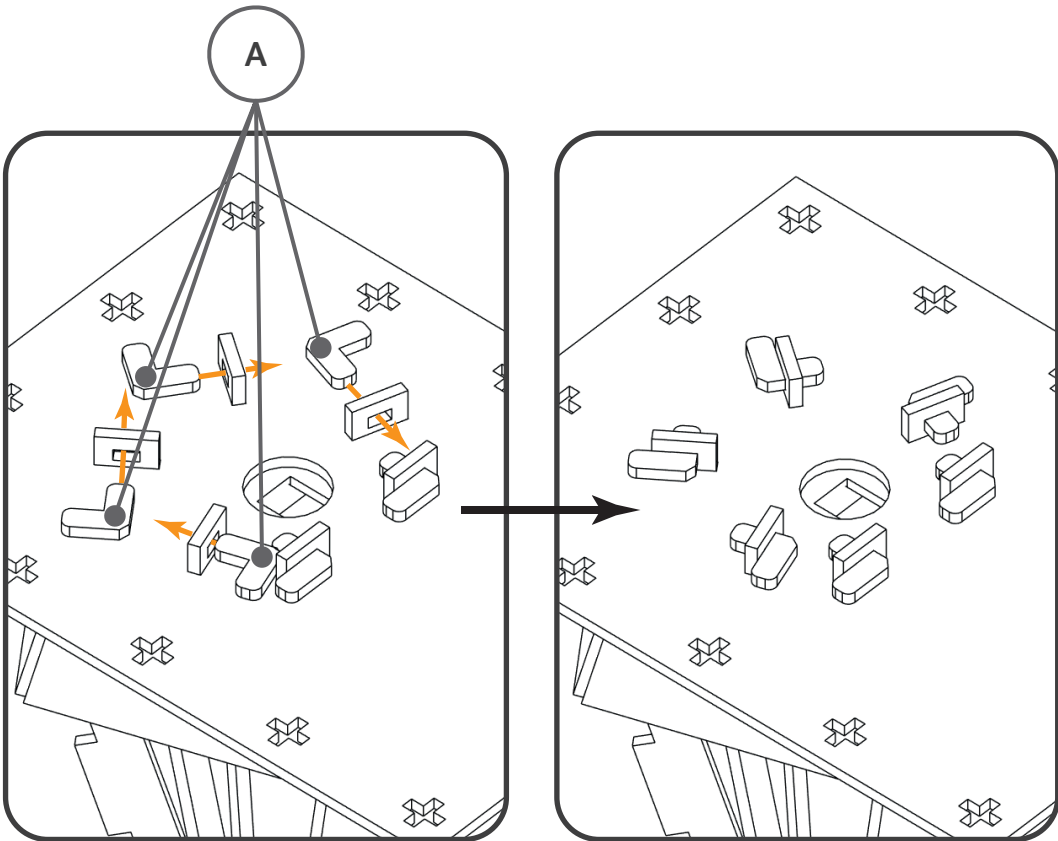


12



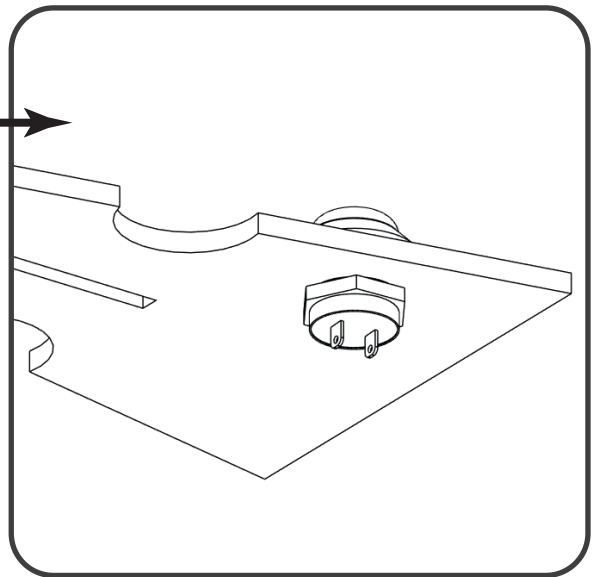
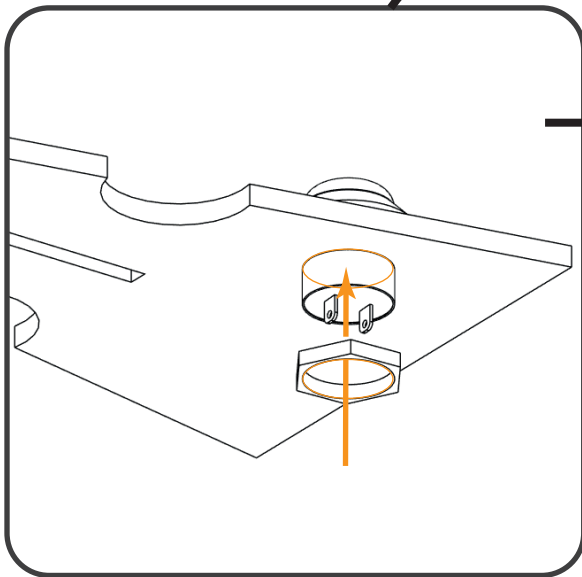
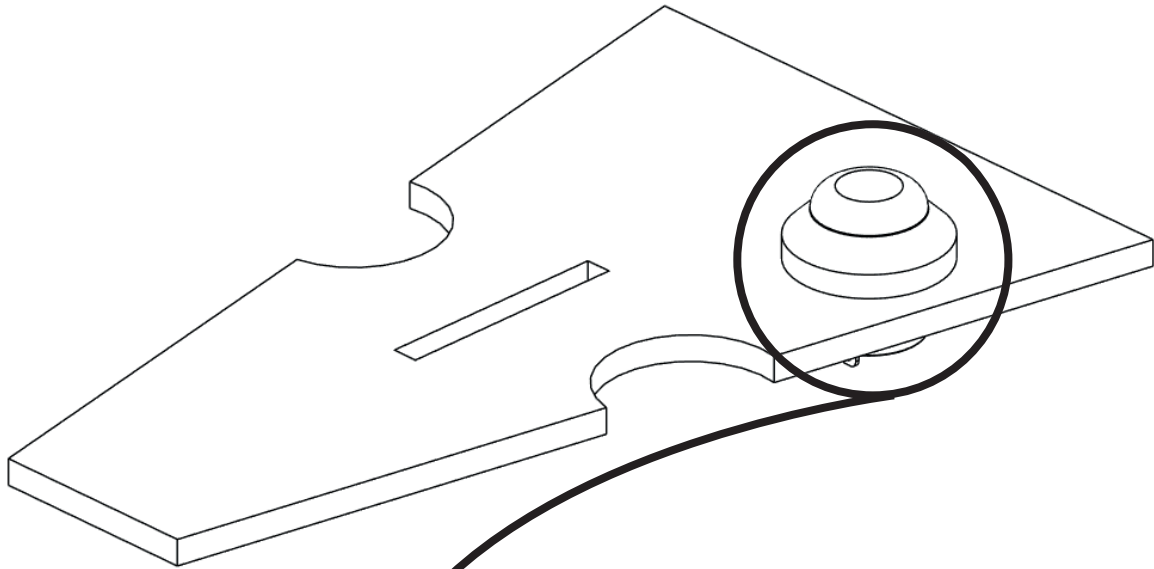
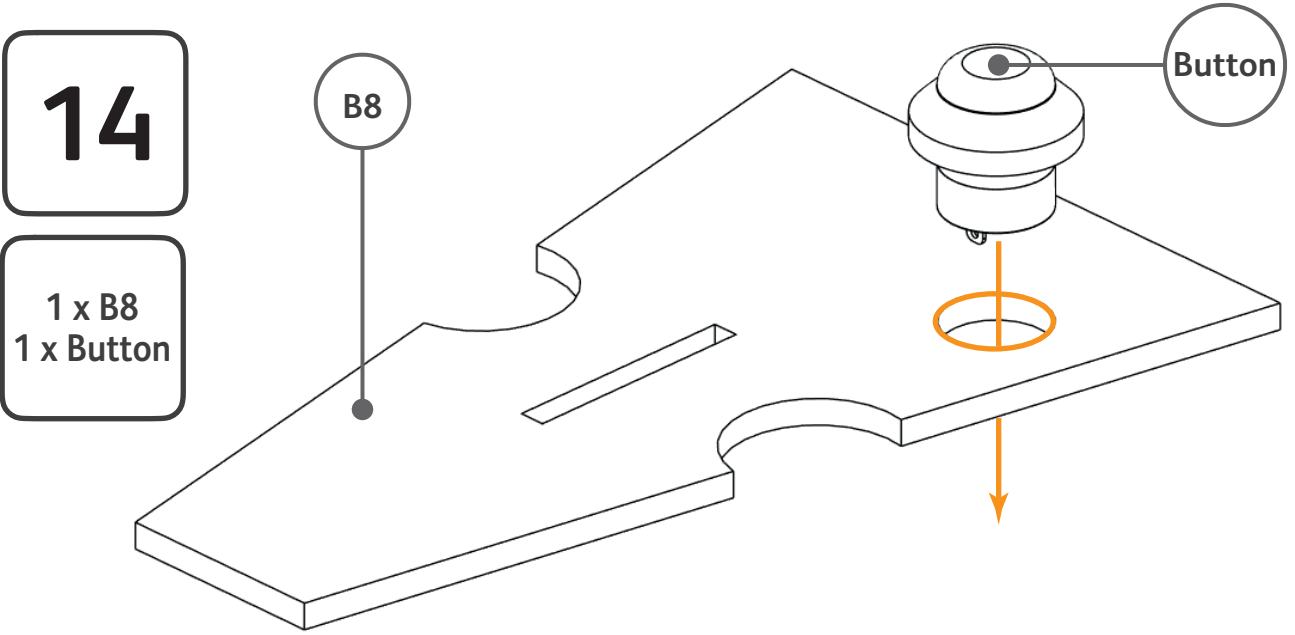
13

4 x A

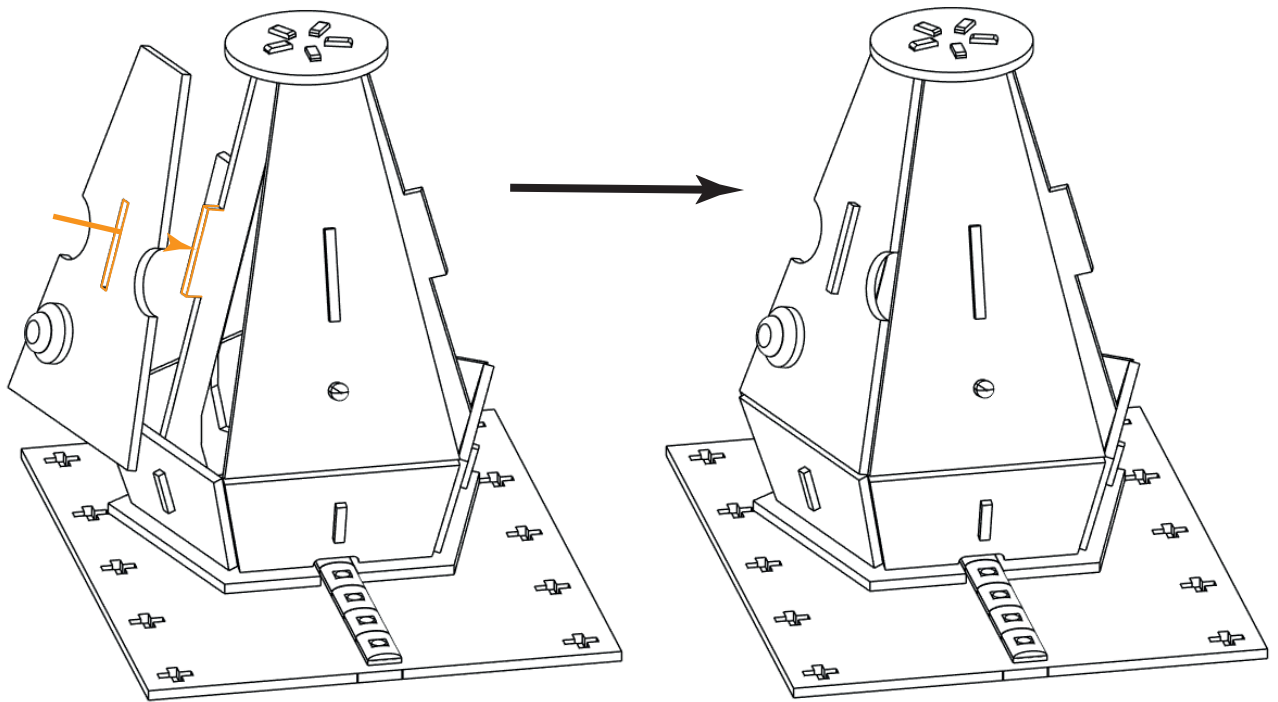


14

1 x B8  
1 x Button

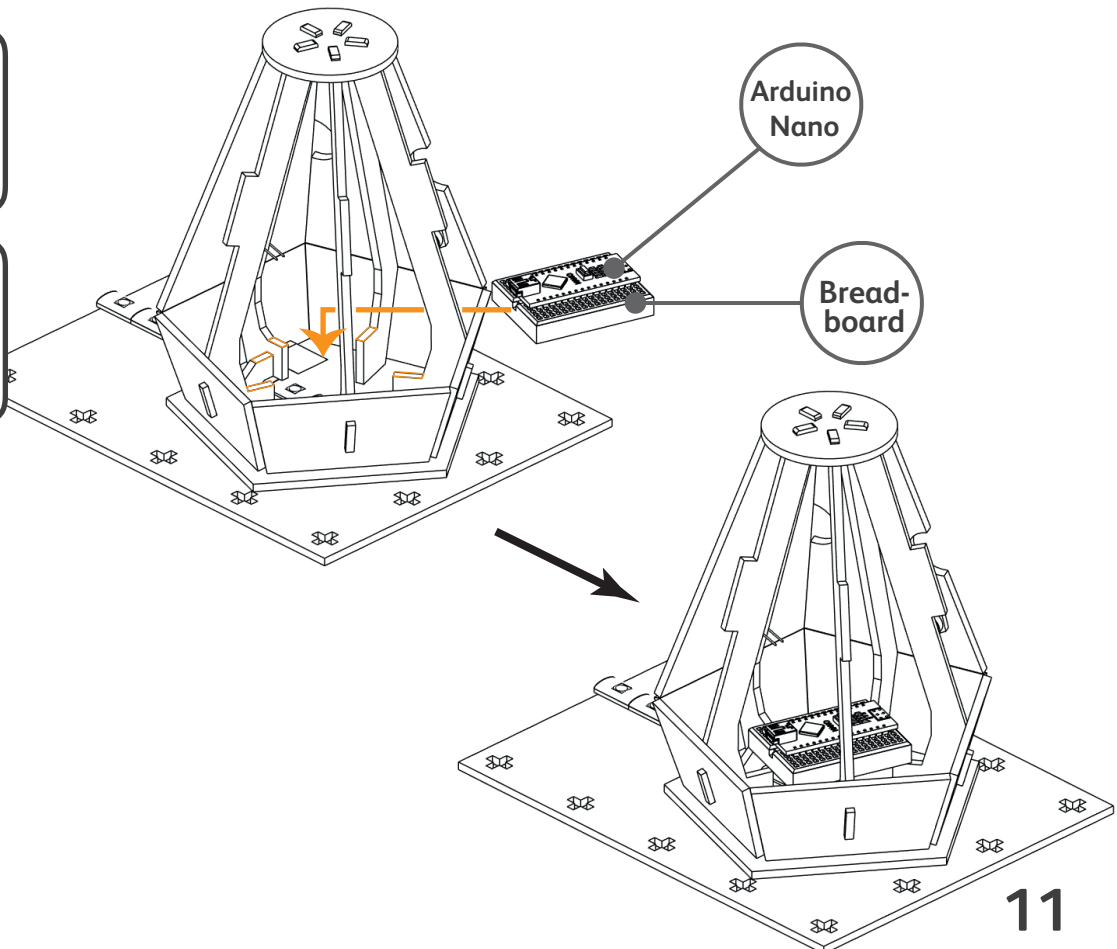


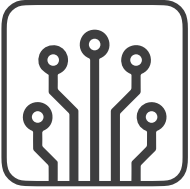
15



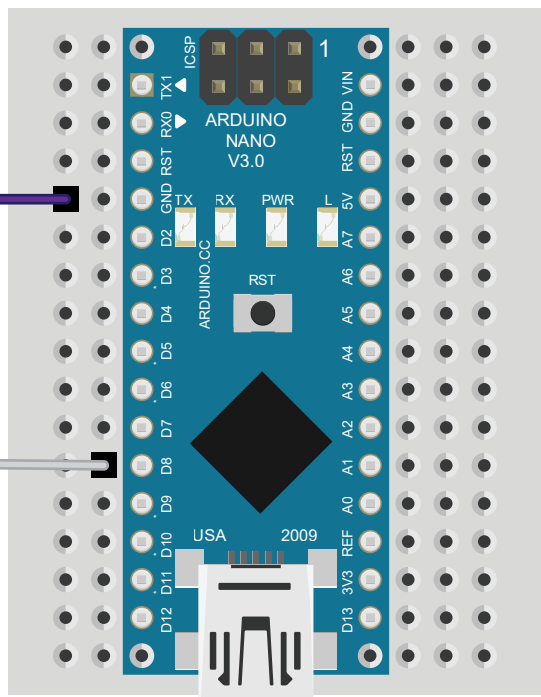
16

1 x Arduino Nano  
1 x Breadboard

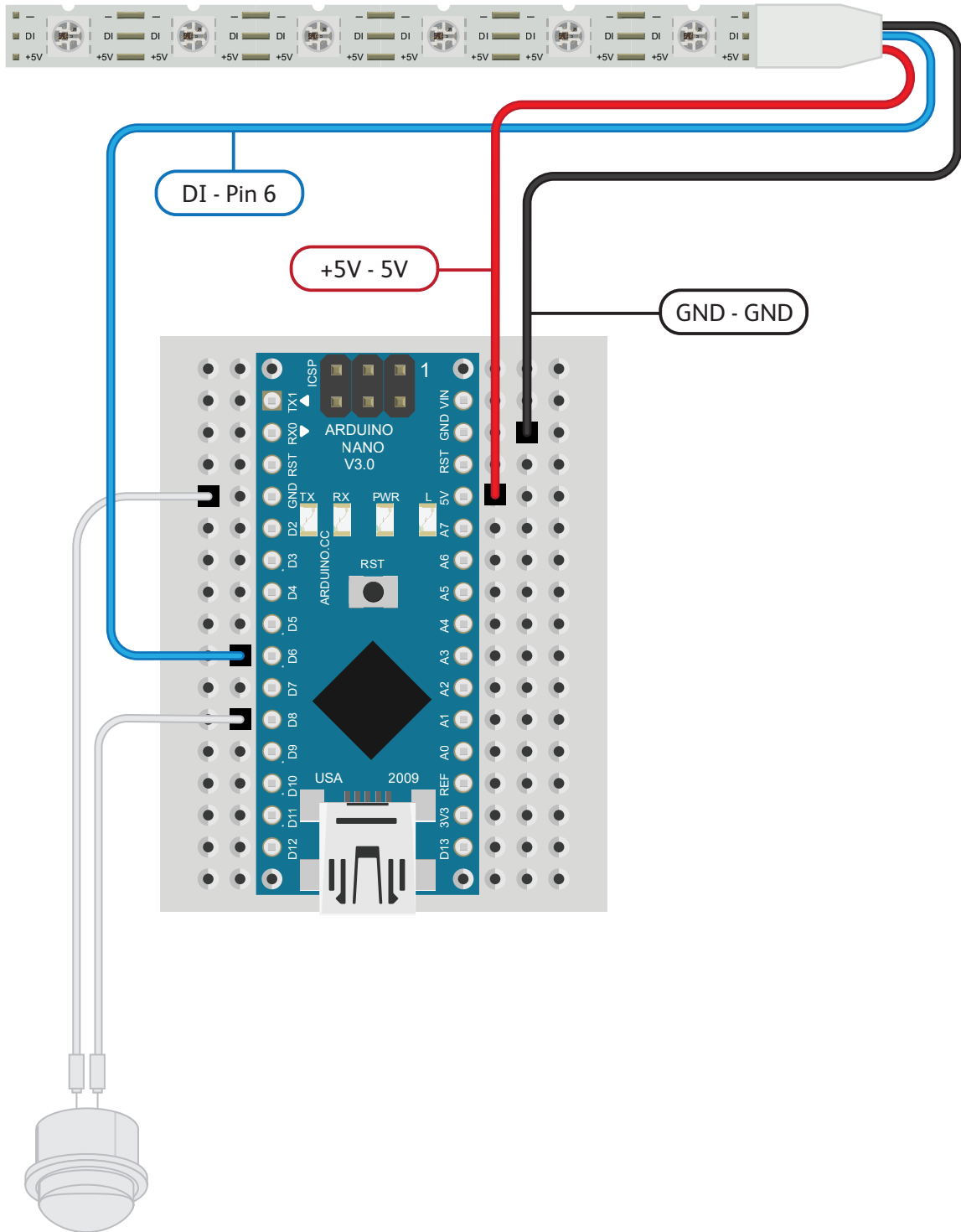
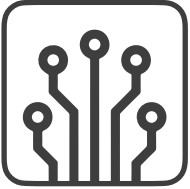


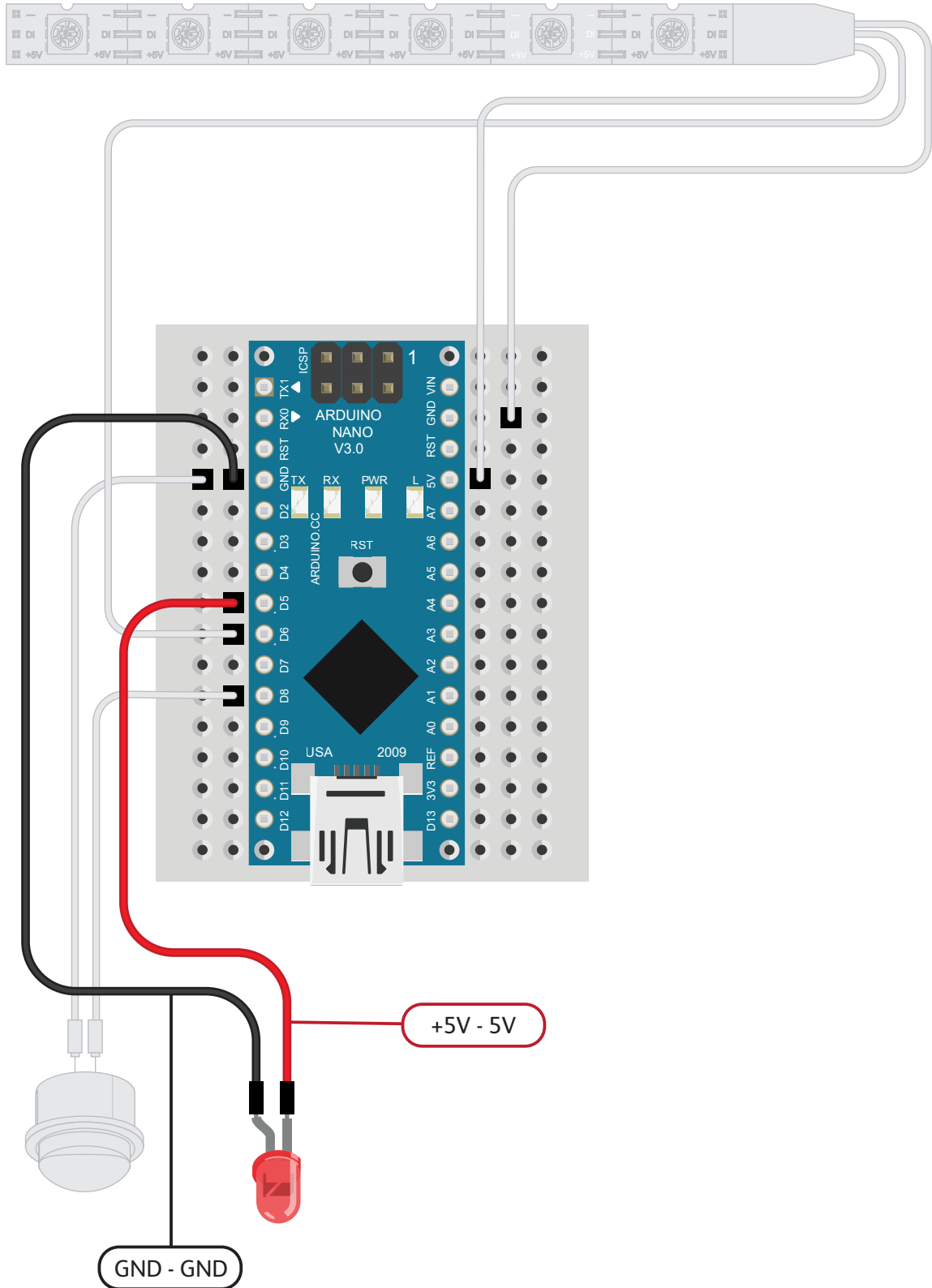
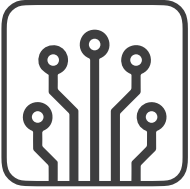


Negative - GND

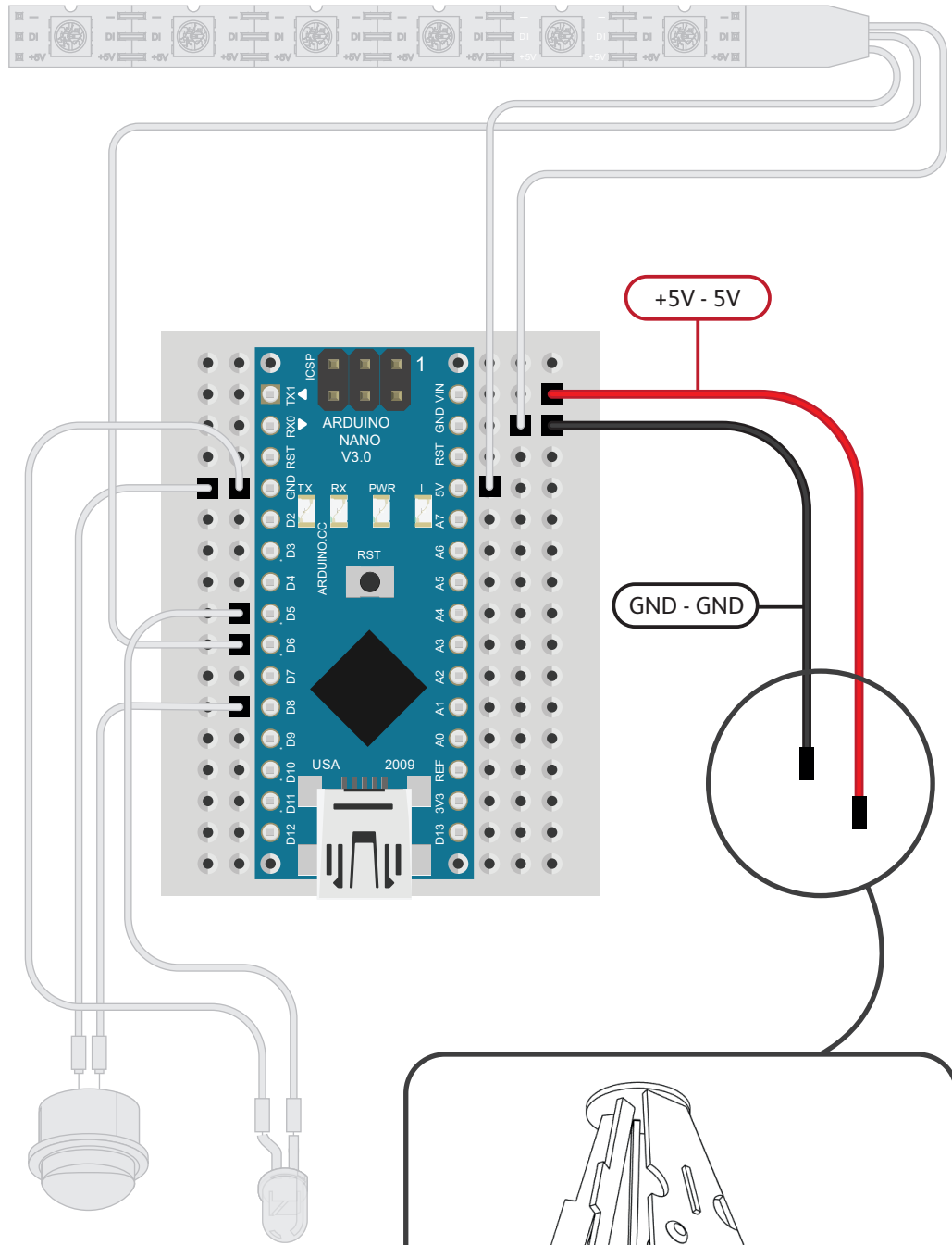
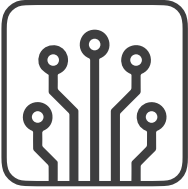


Positive - Pin 8



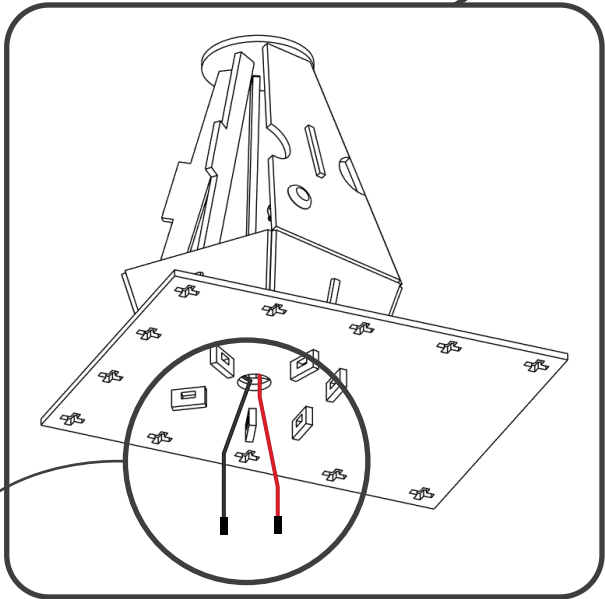






+5V - 5V

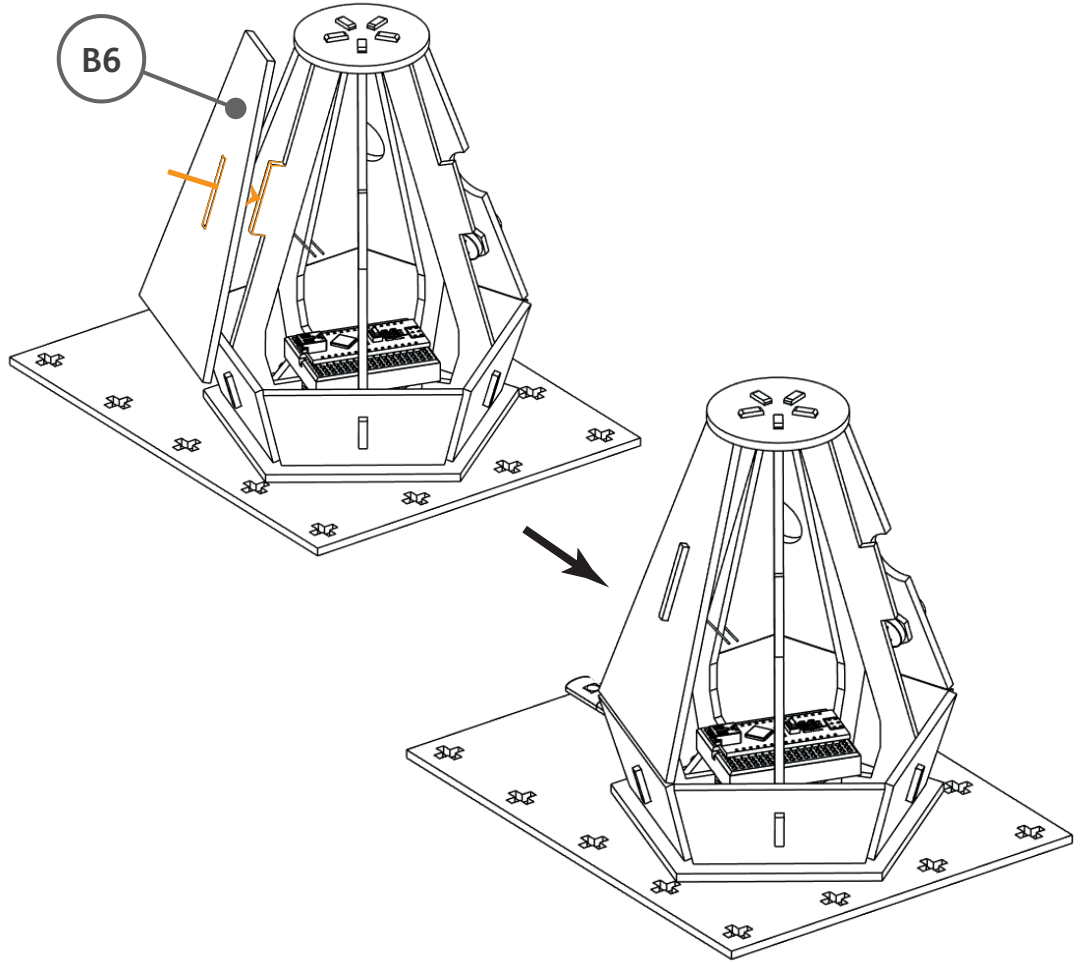
GND - GND



Connect to Power Plant.

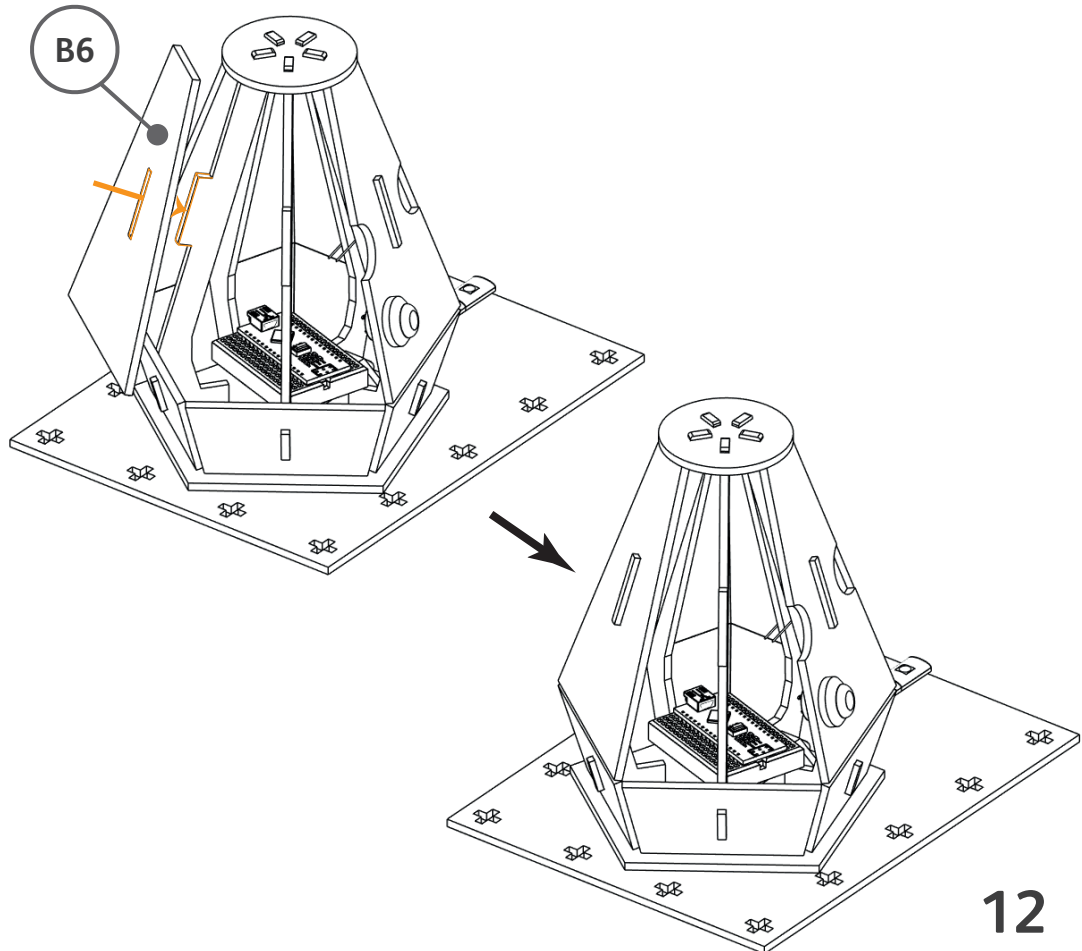
17

1 x B6



18

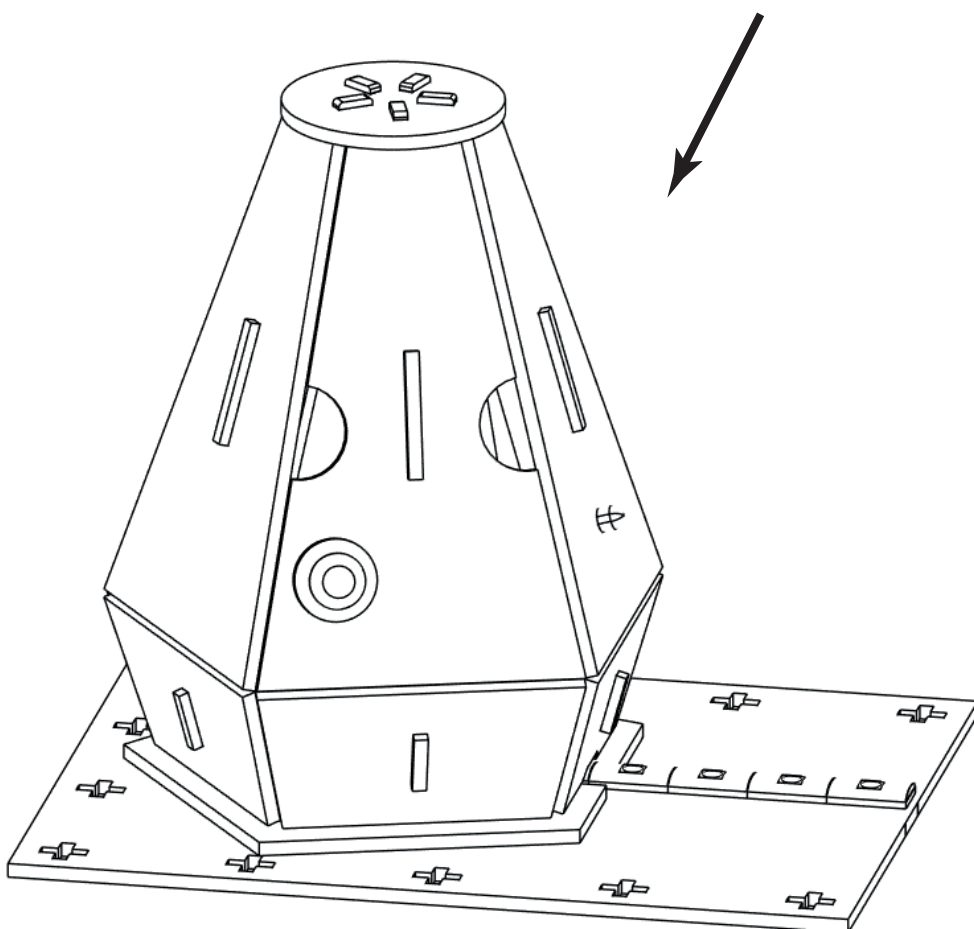
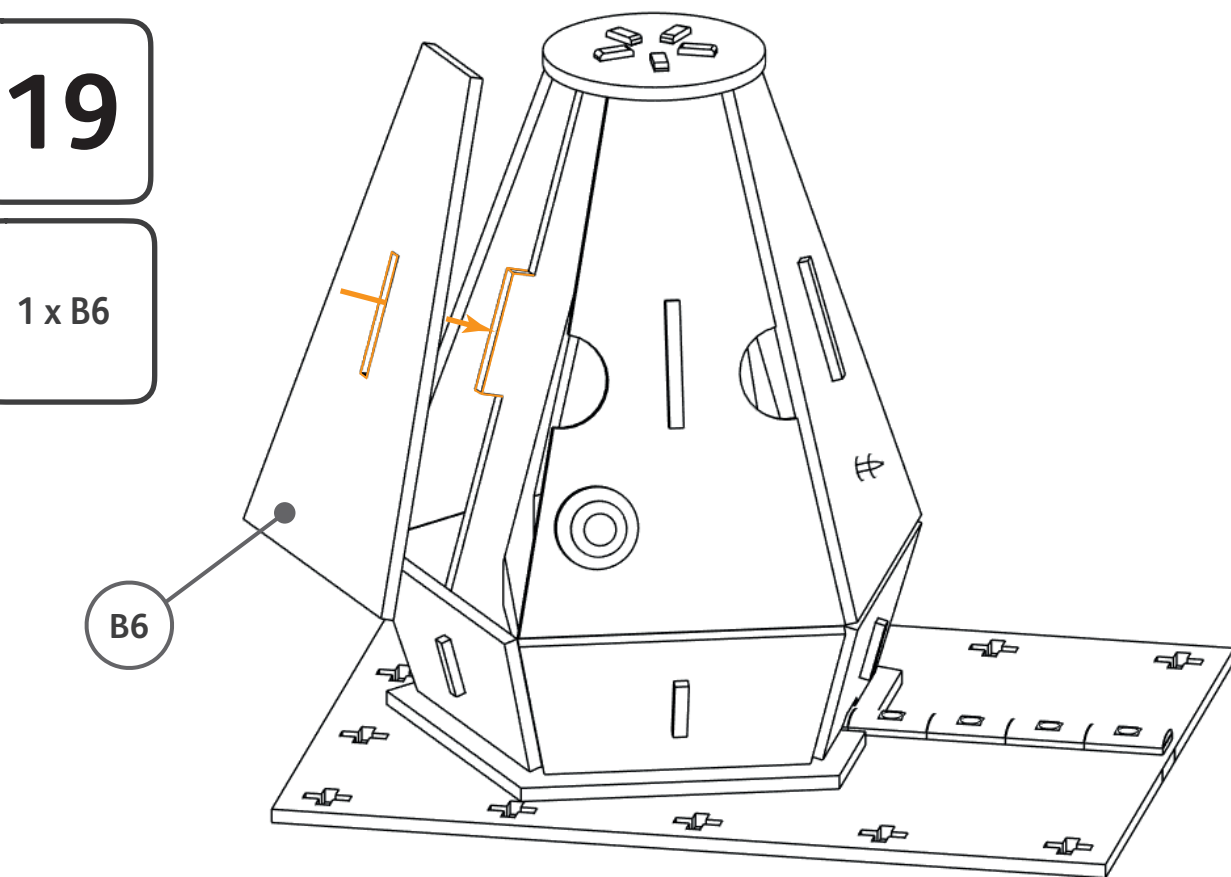
1 x B6



19

1 x B6

B6





Powered by  
**Rewise**

---

**Romania, 2023**