



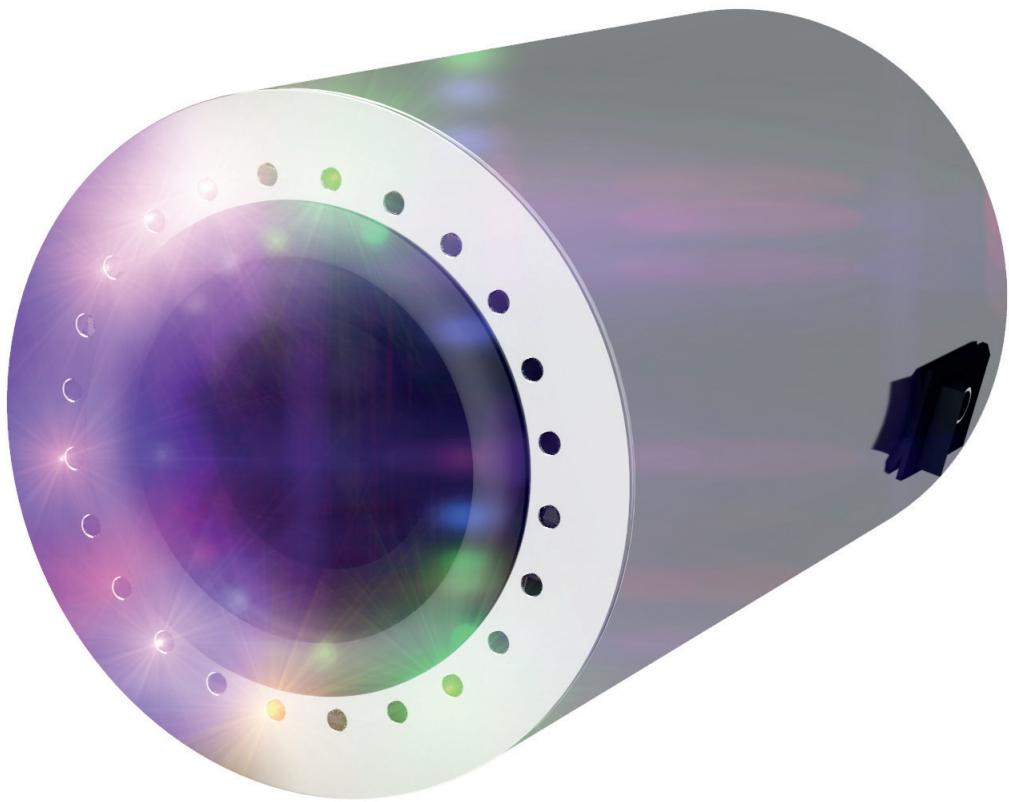
GFG
FOUNDATION

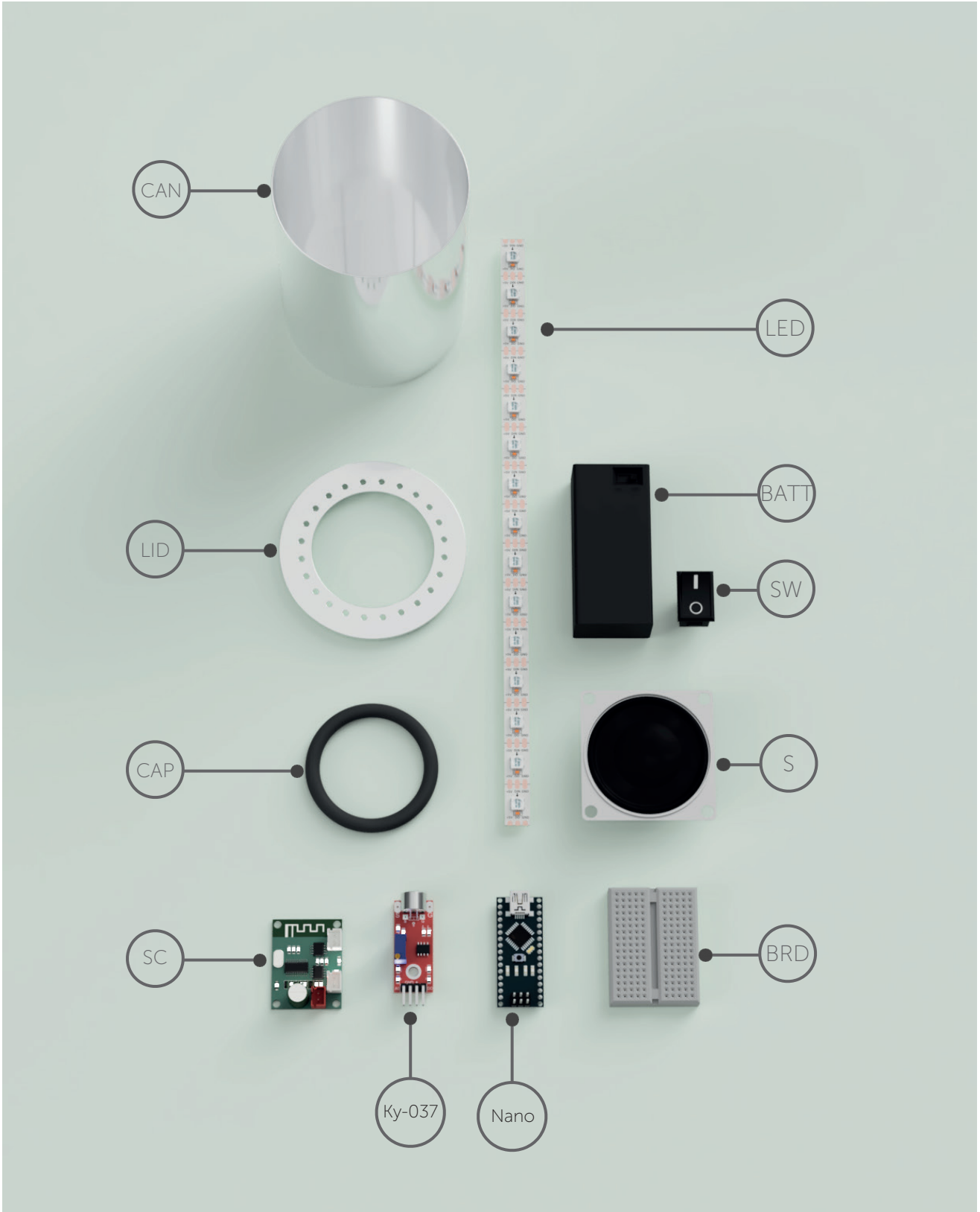
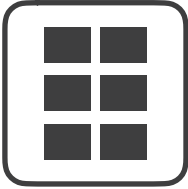
Powered by
Rewise

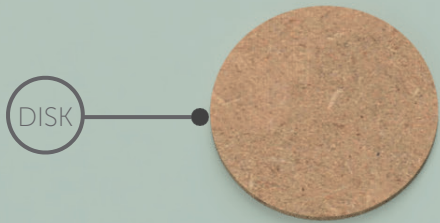
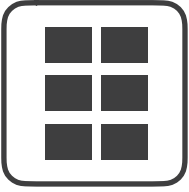
GFG Foundation STEAM Challenge

România



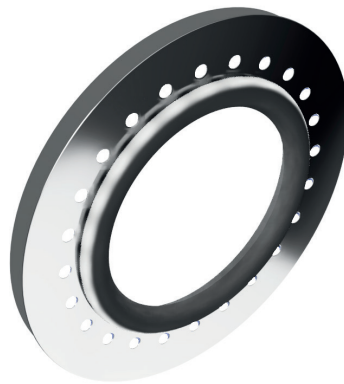






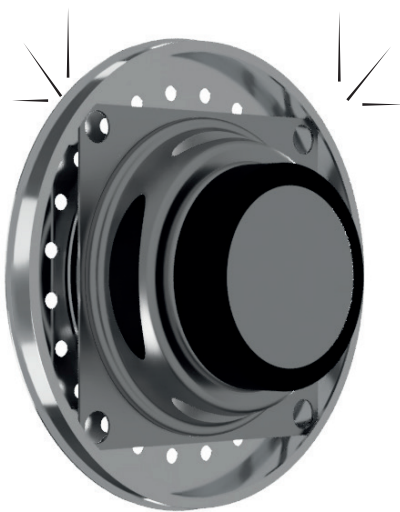
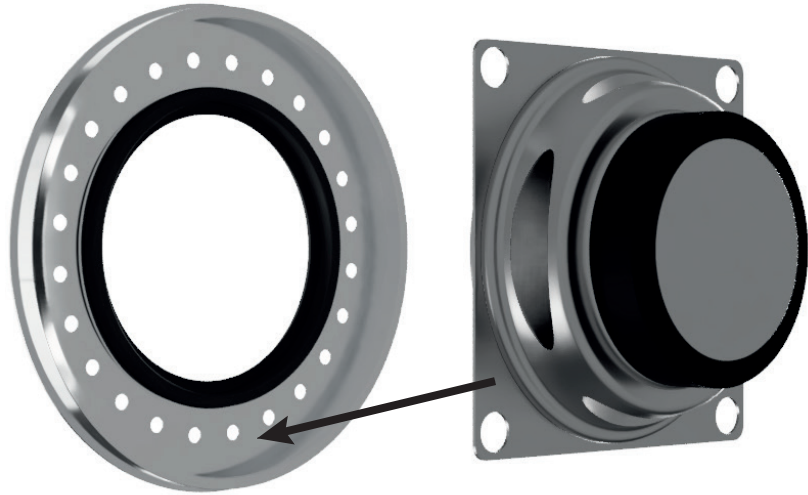
1

LID
CAP



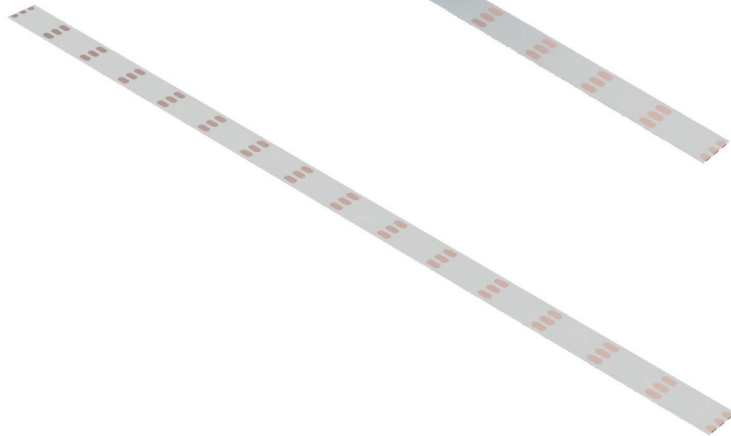
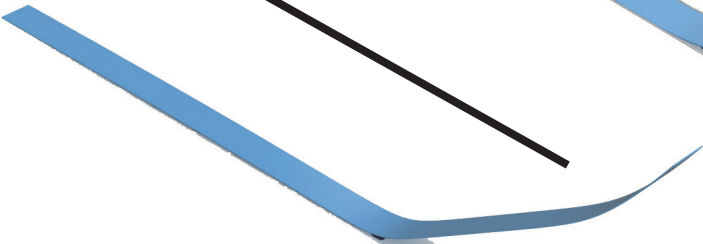
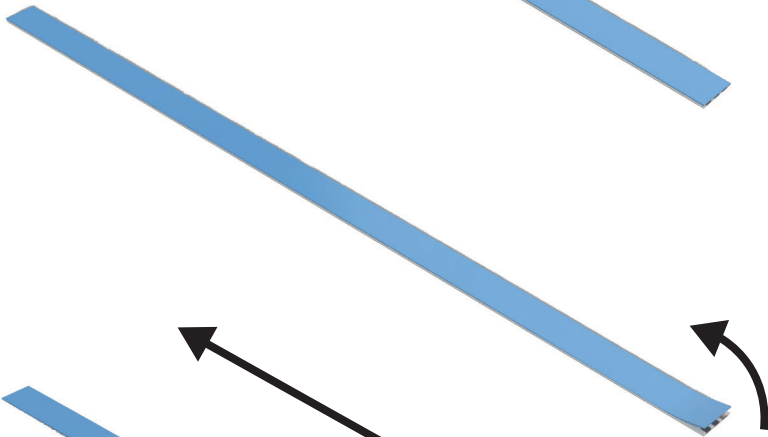
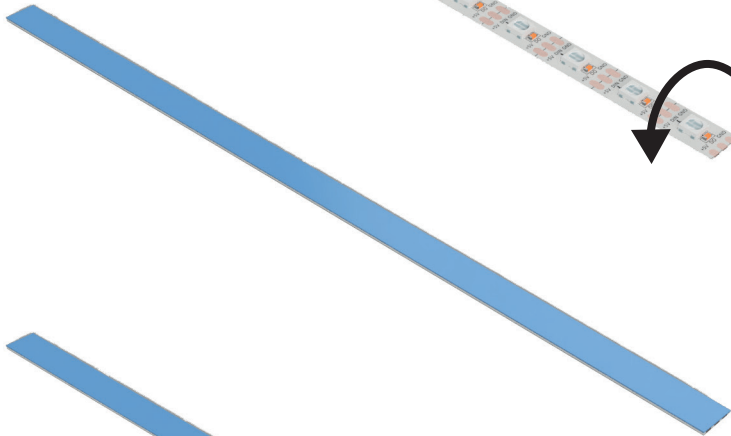
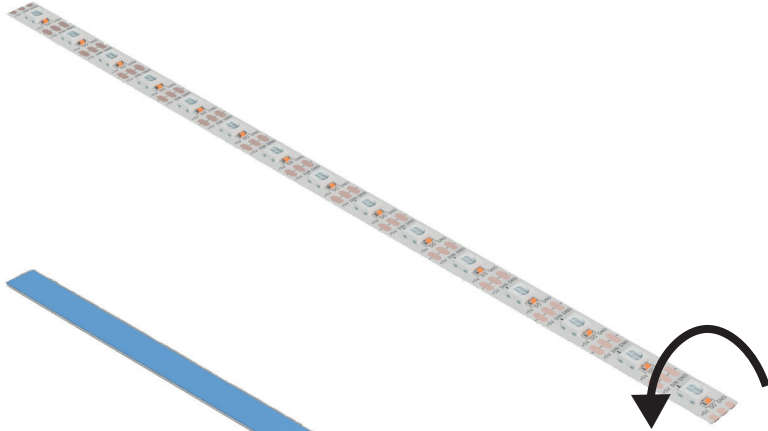
2

S



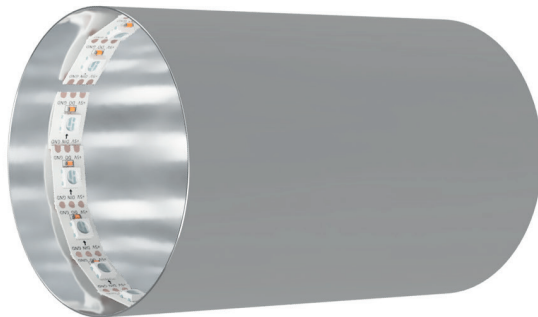
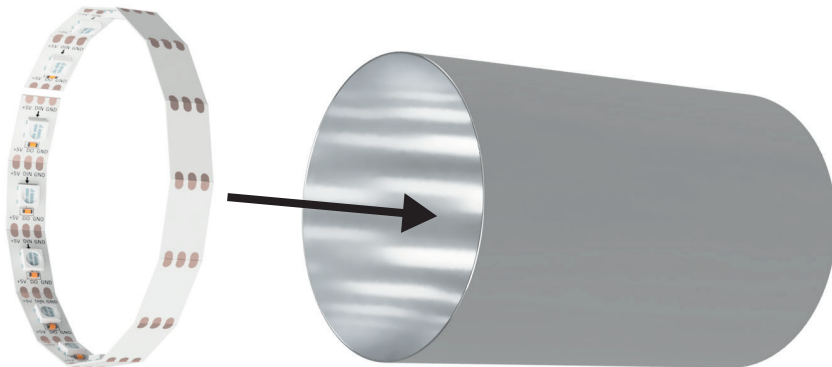
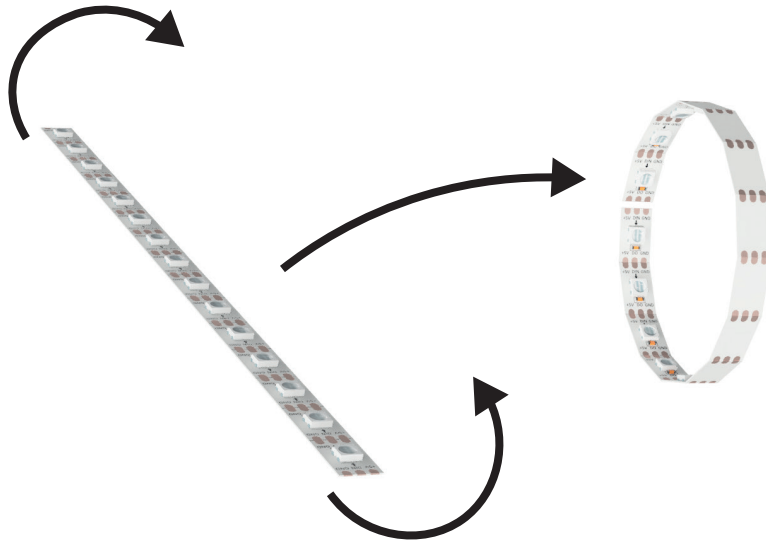
3

LED



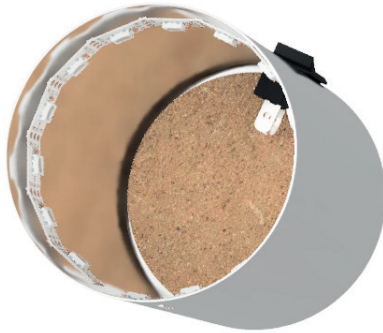
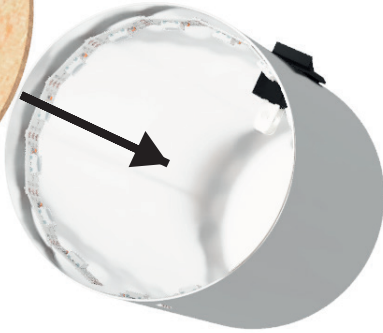
4

LED
CAN



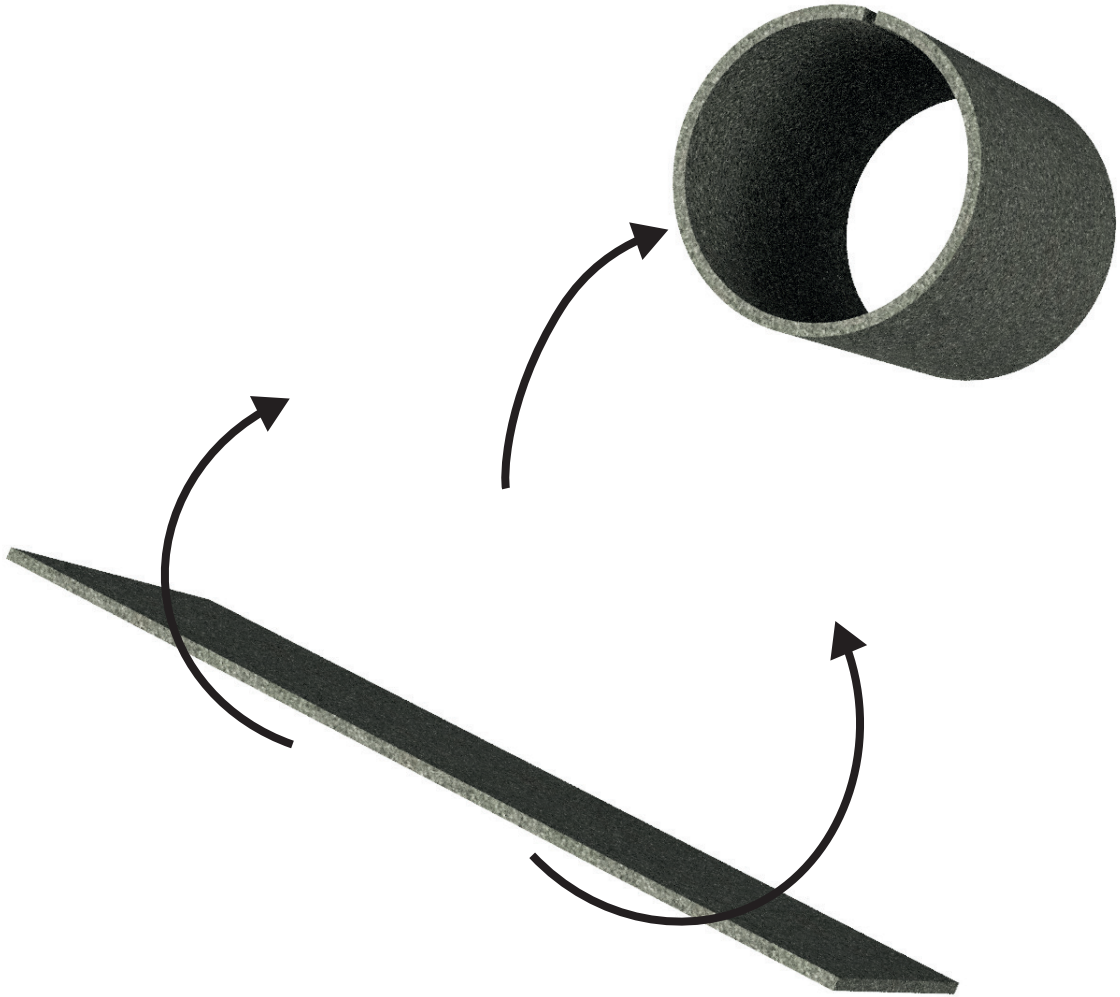
5

DISC



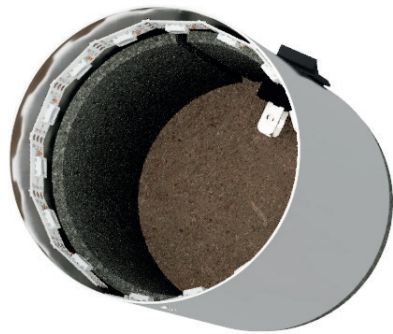
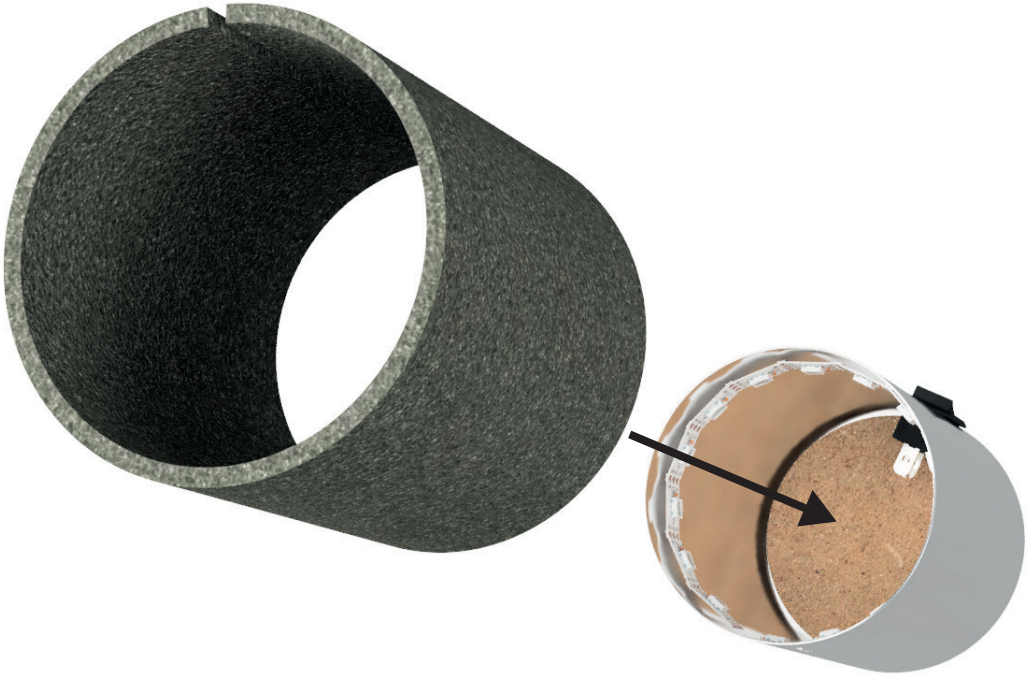
6

FOAM



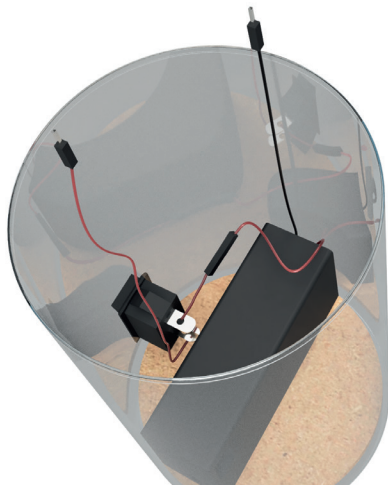
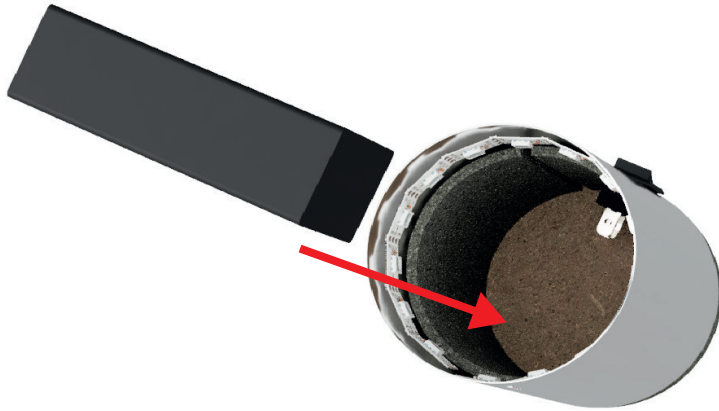
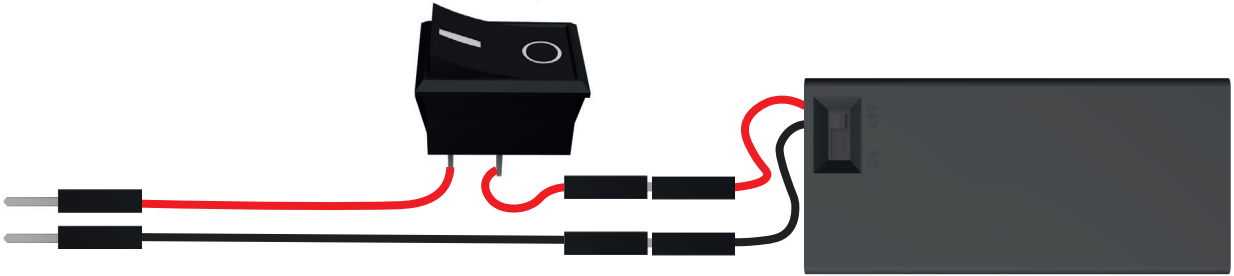
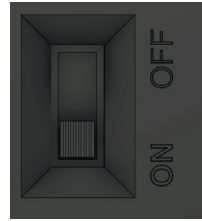
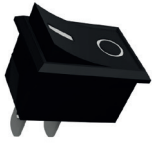
7

FOAM



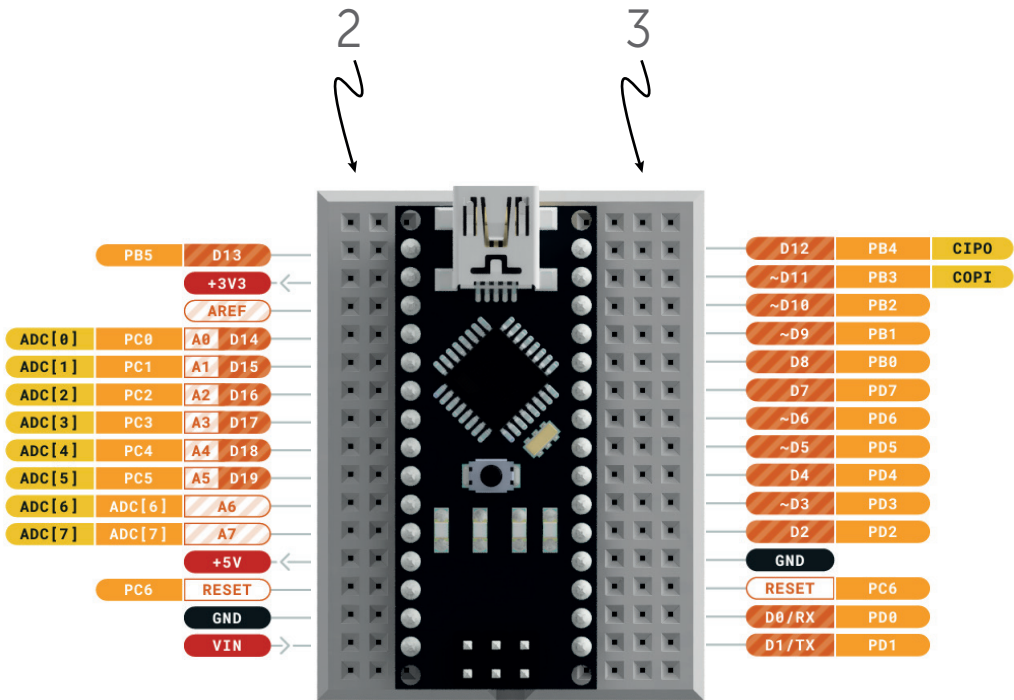
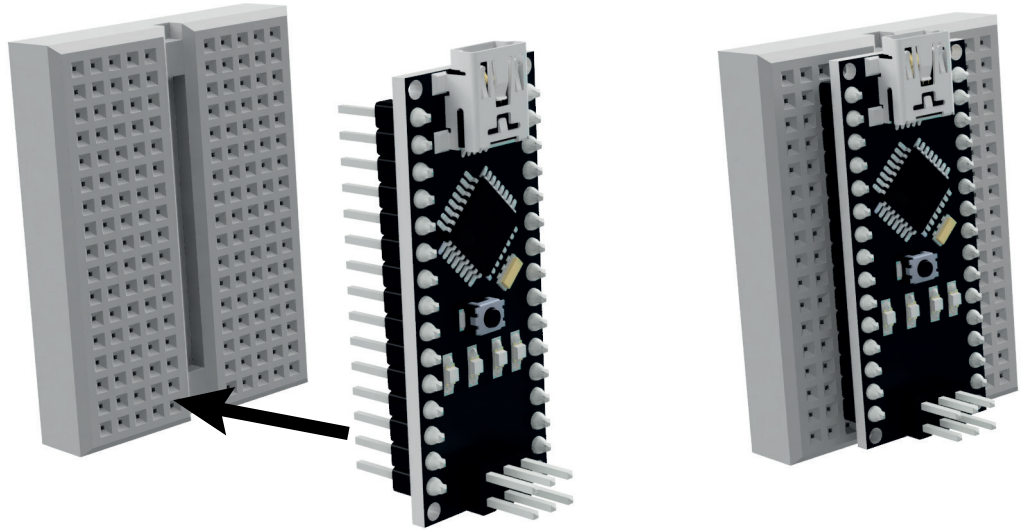
8

BATT
SW



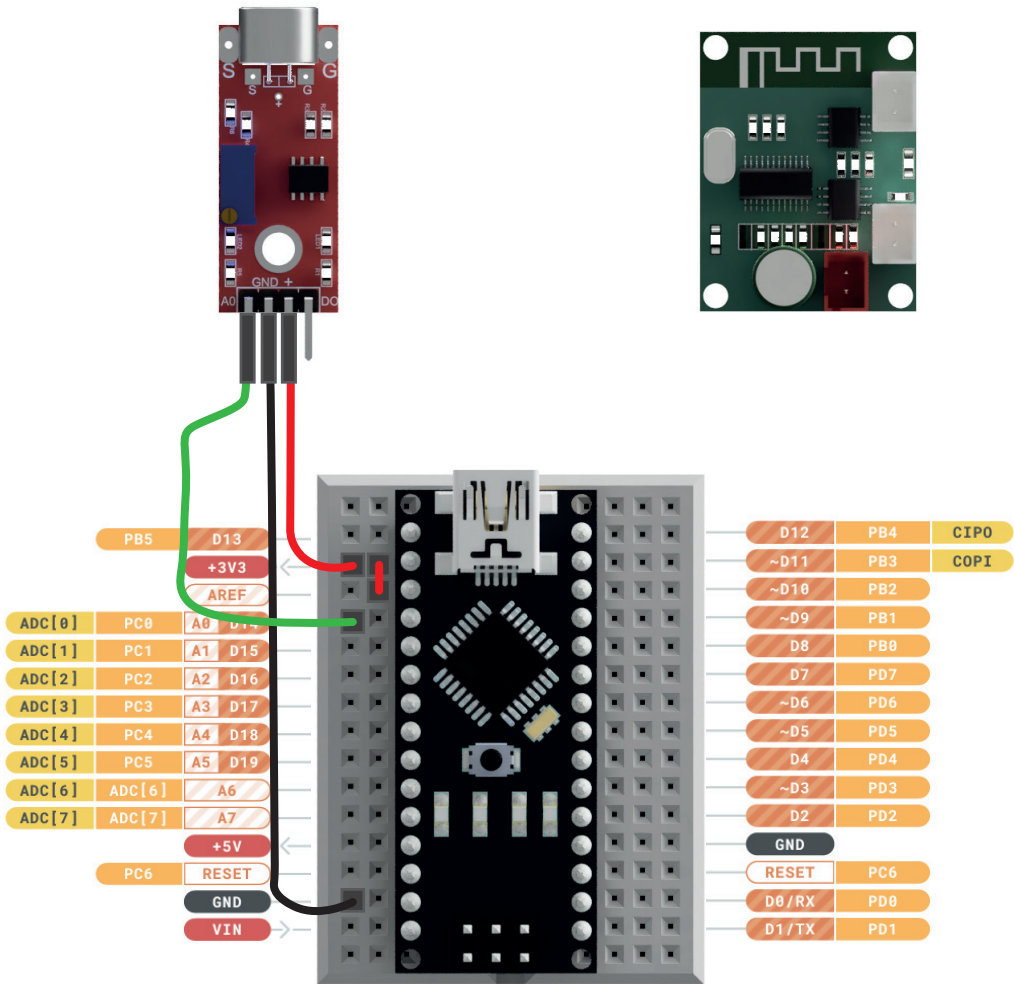
9

BRD Nano



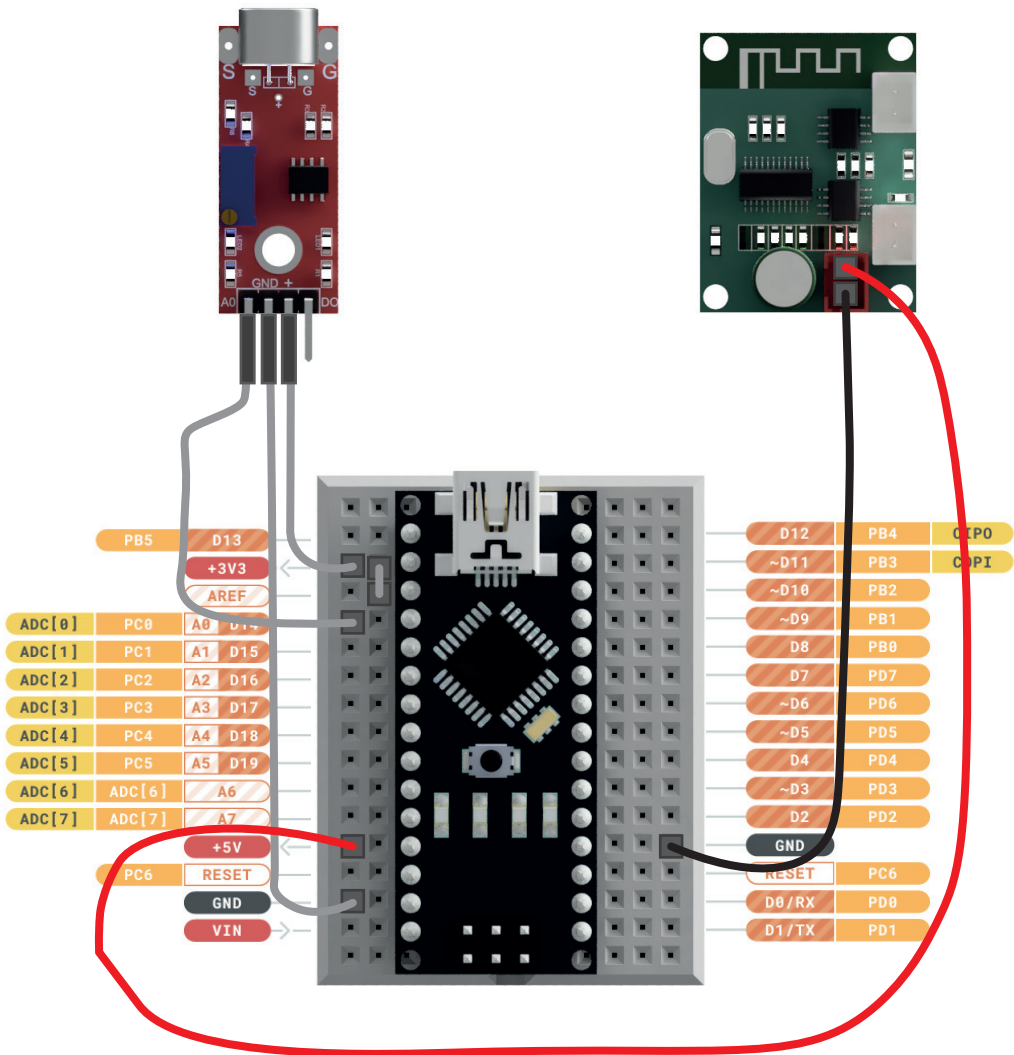
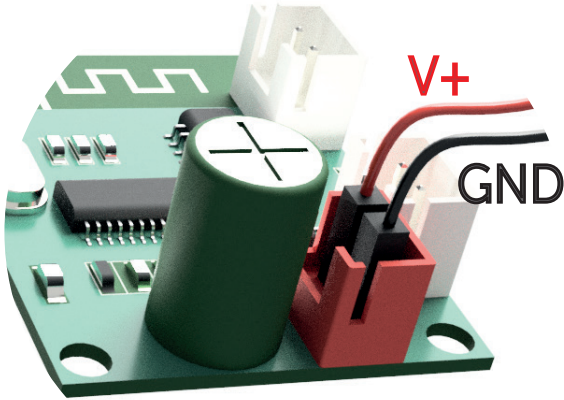
10

SC
Ky-037



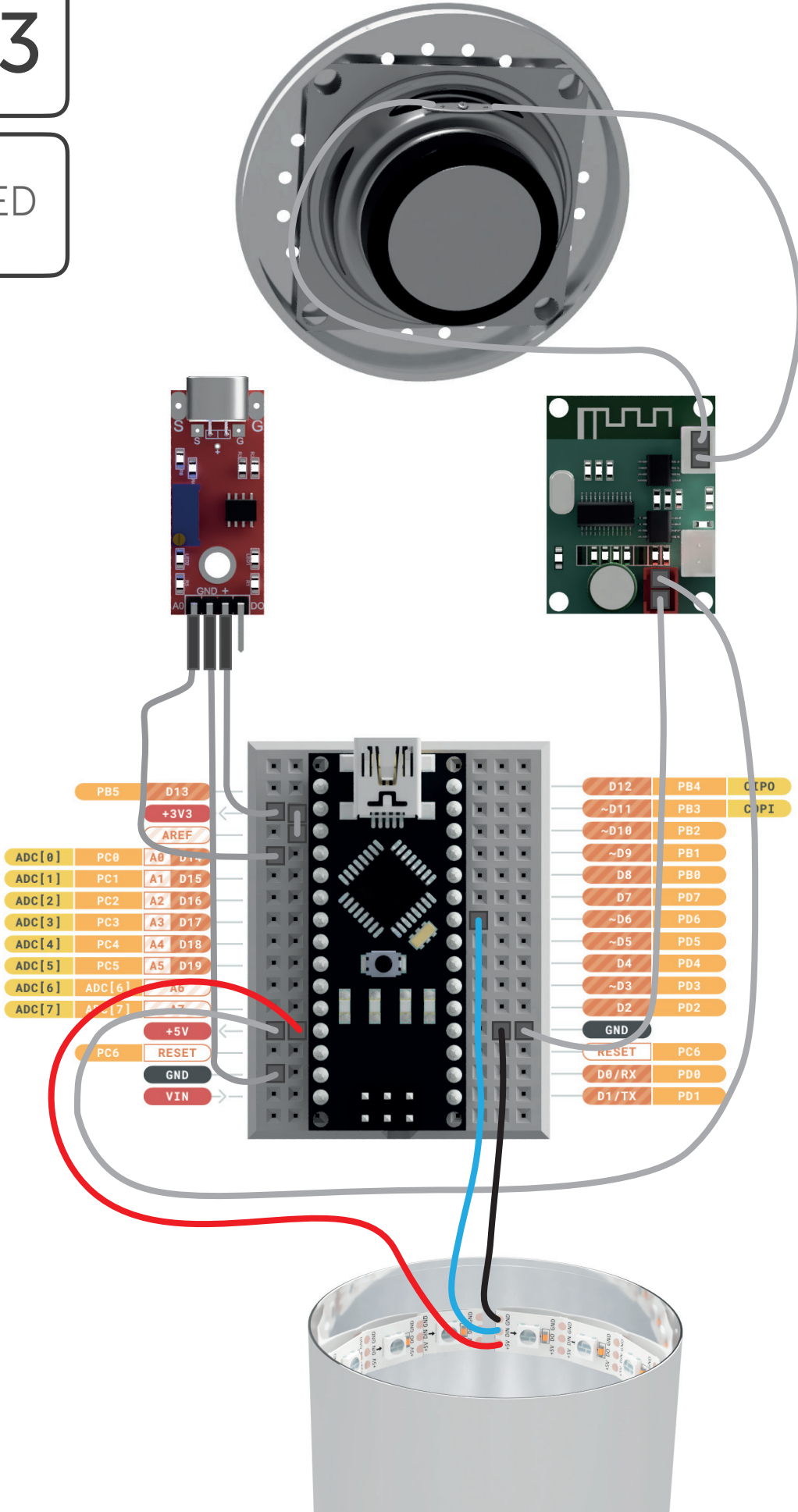
11

SC
Ky-037



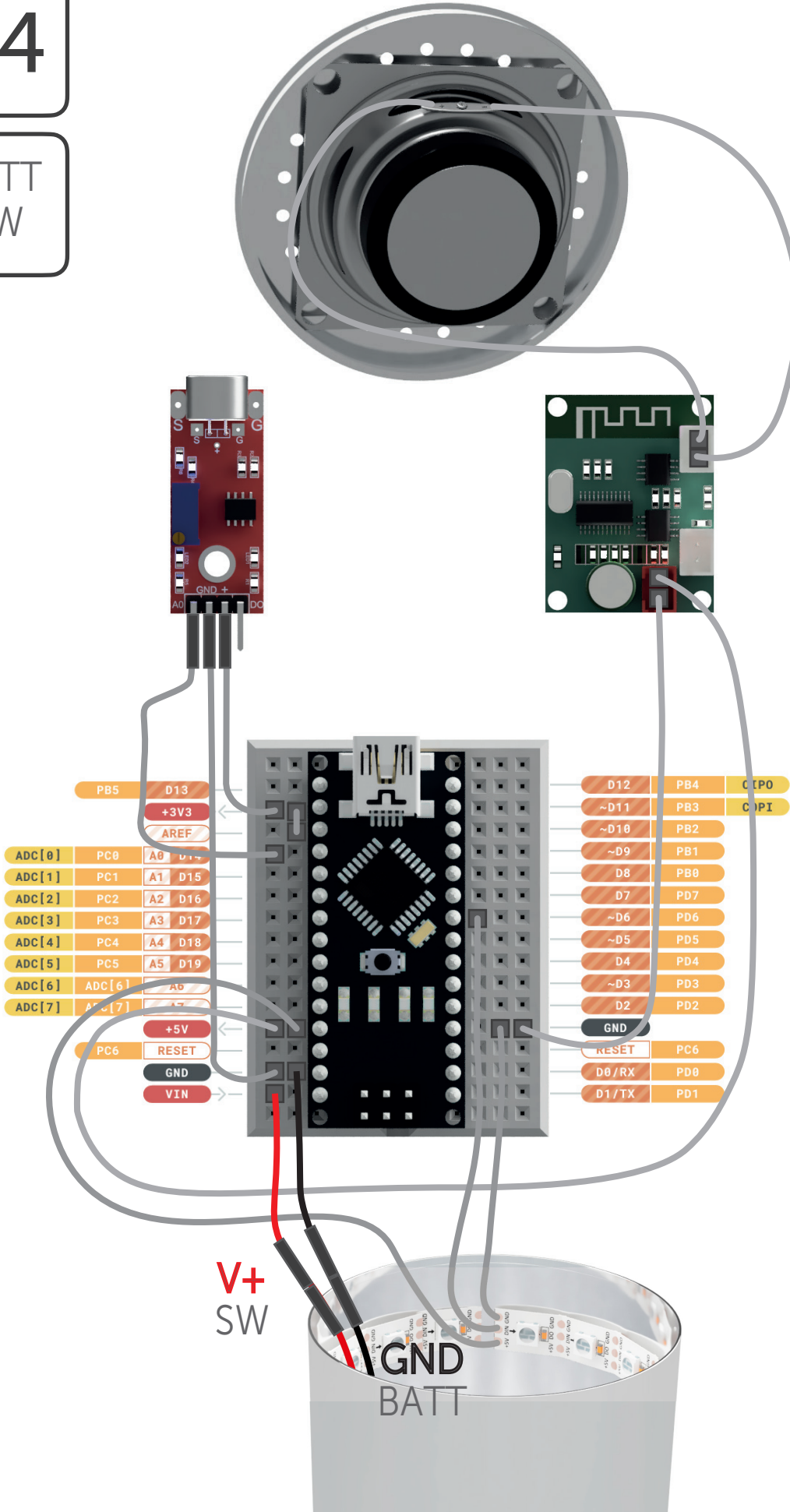
13

LED



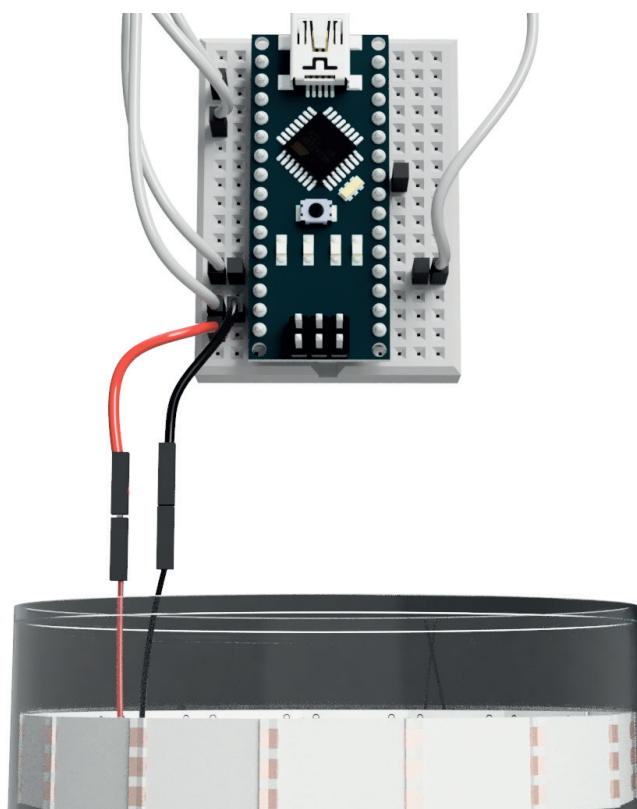
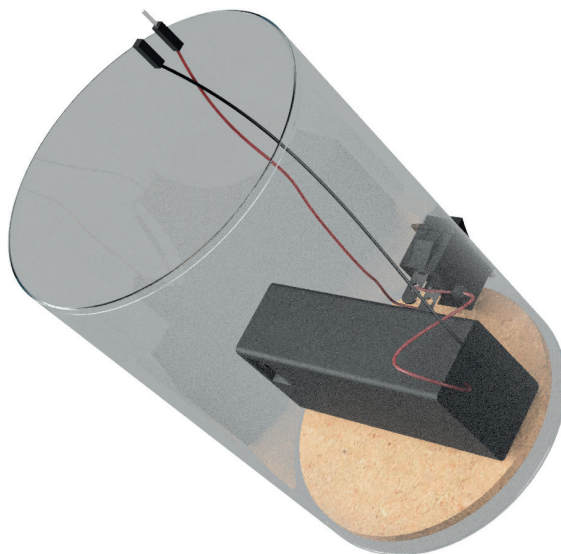
14

BATT SW



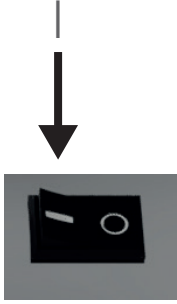
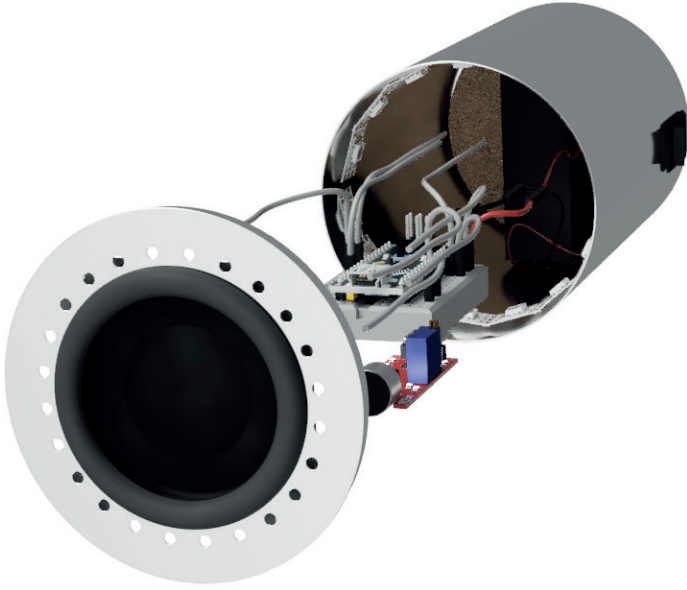
15

BATT
SW



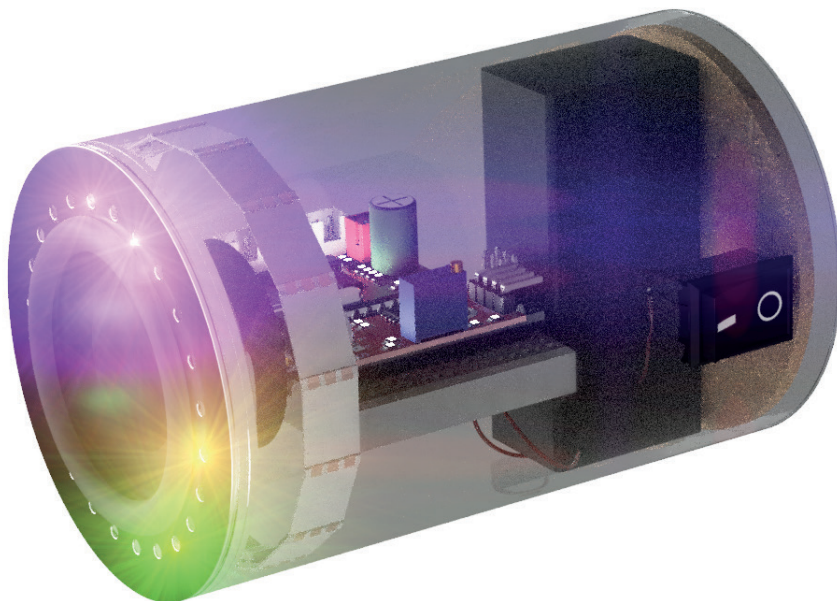
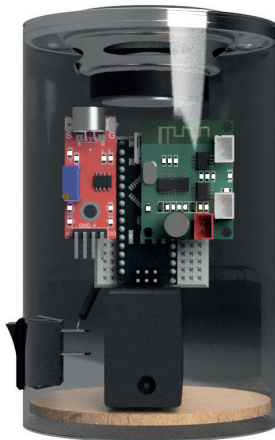
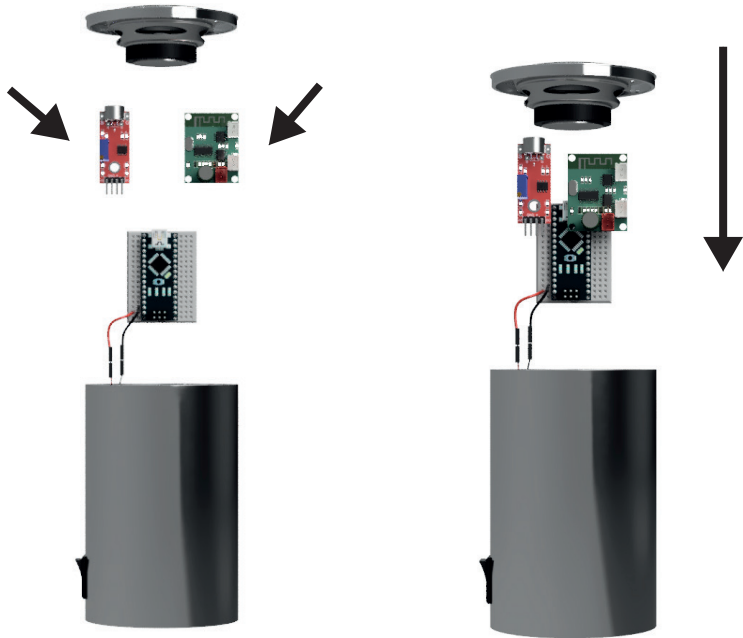
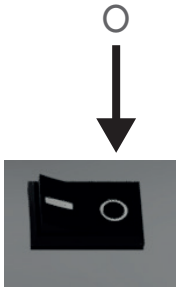
16

?



→ 17

17





Powered by
Rewise

Romania