



GFG
FOUNDATION

Powered by
Rewise

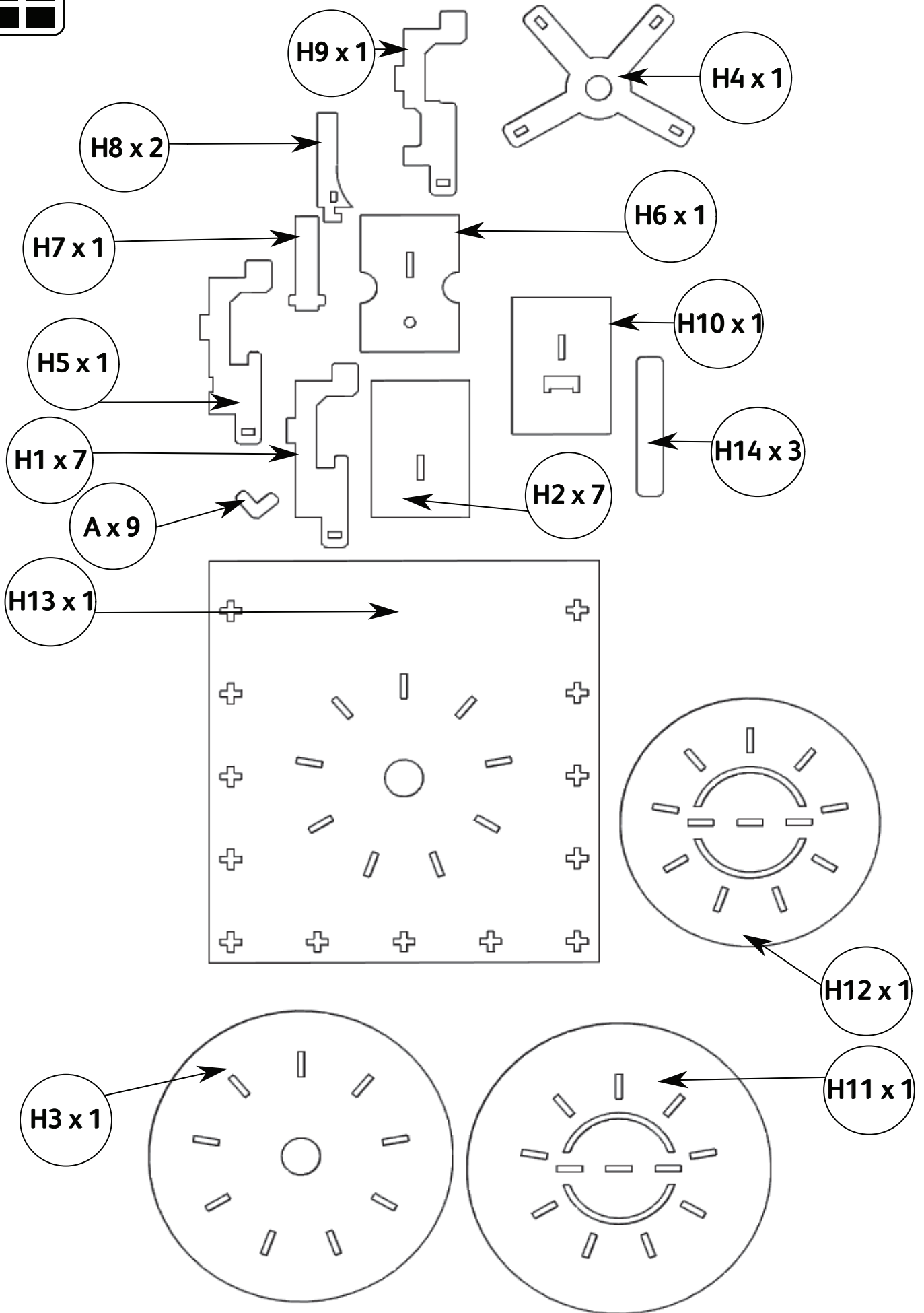
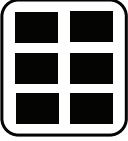
Fundația GFG

Provocarea STEAM

Cuptor Electric Cu Arc

România, 2024



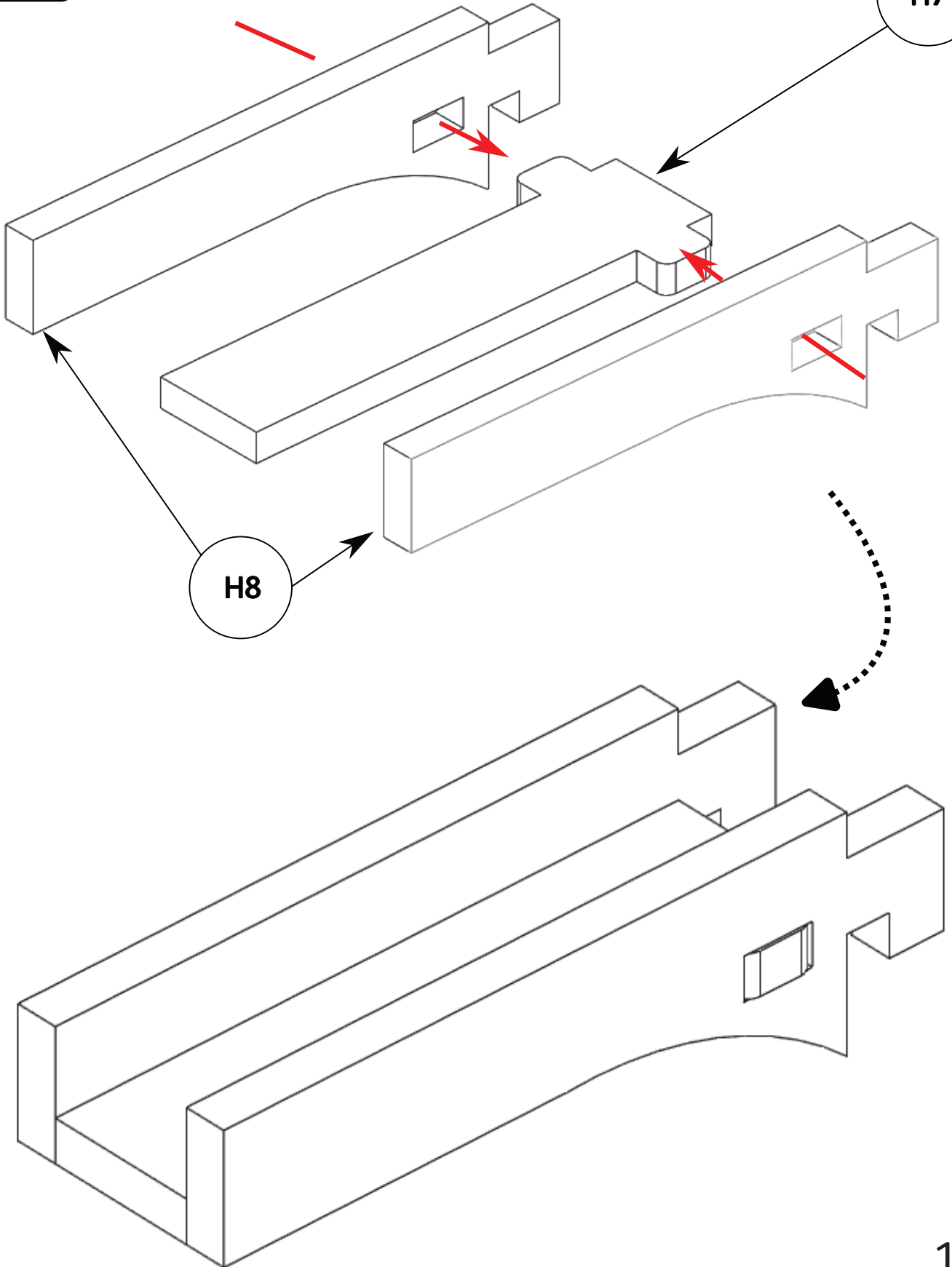


1

H7 x 1
H8 x 2

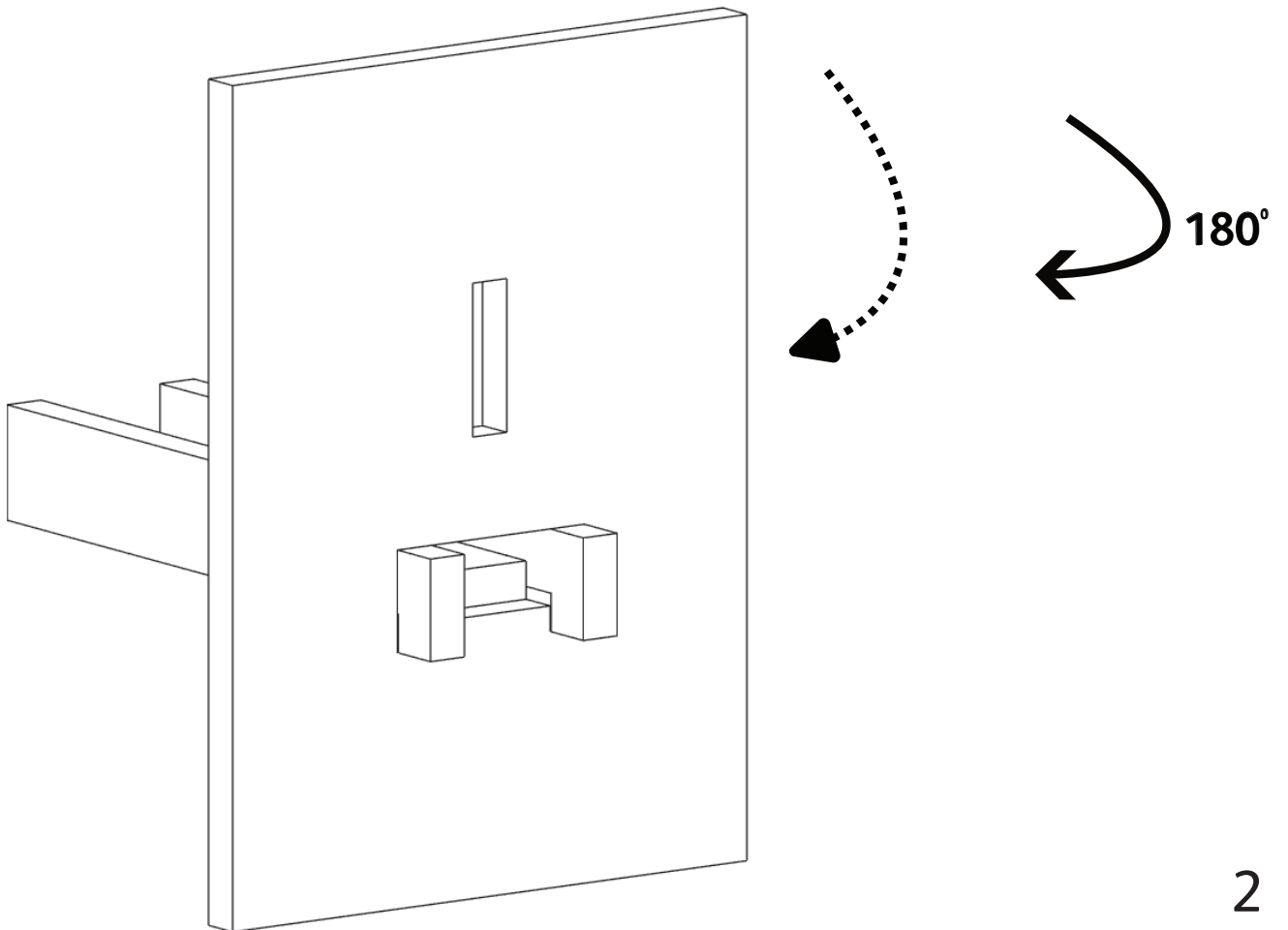
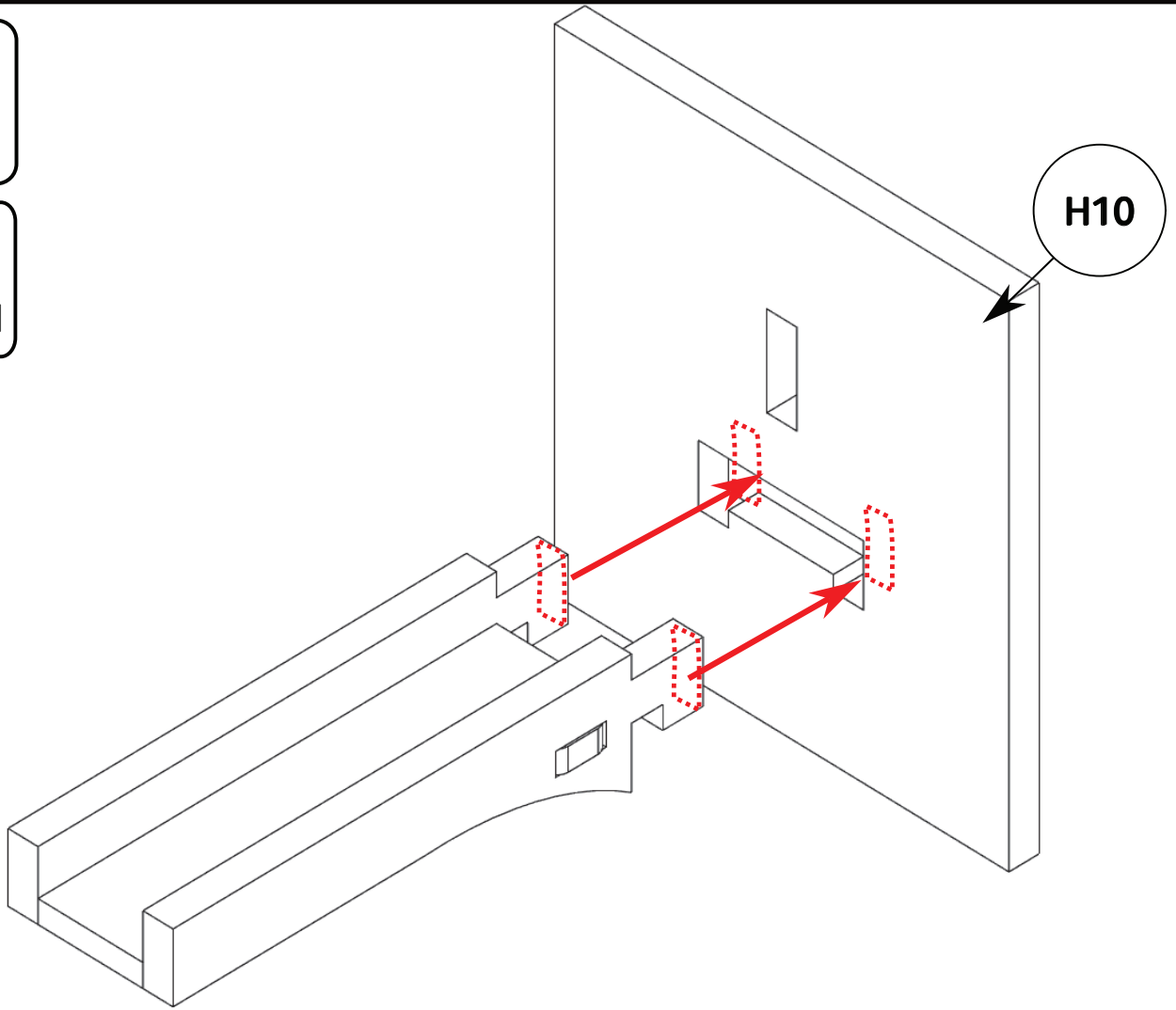
H7

H8



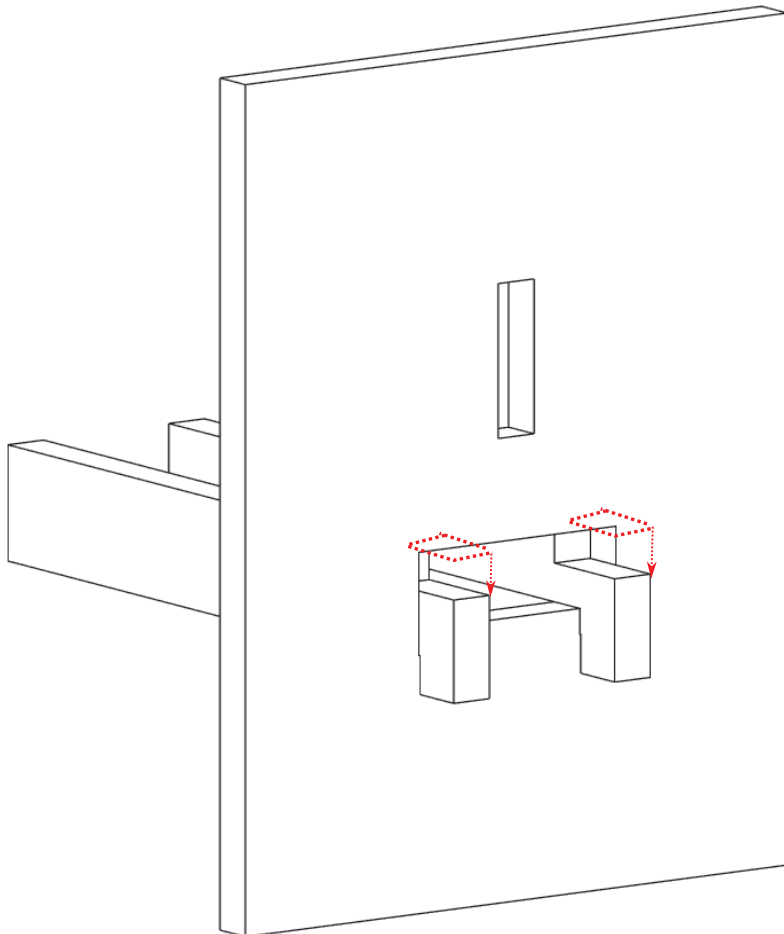
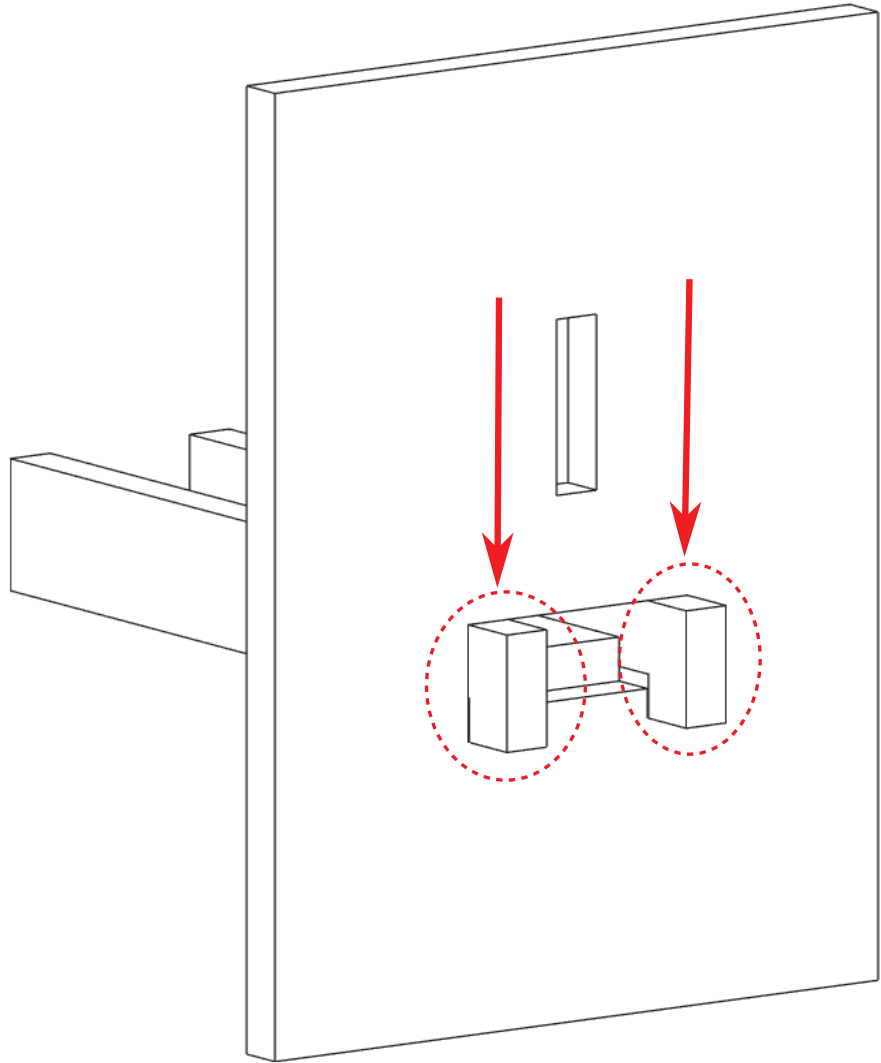
2

H7 x 1
H8 x 2
H10 x 1



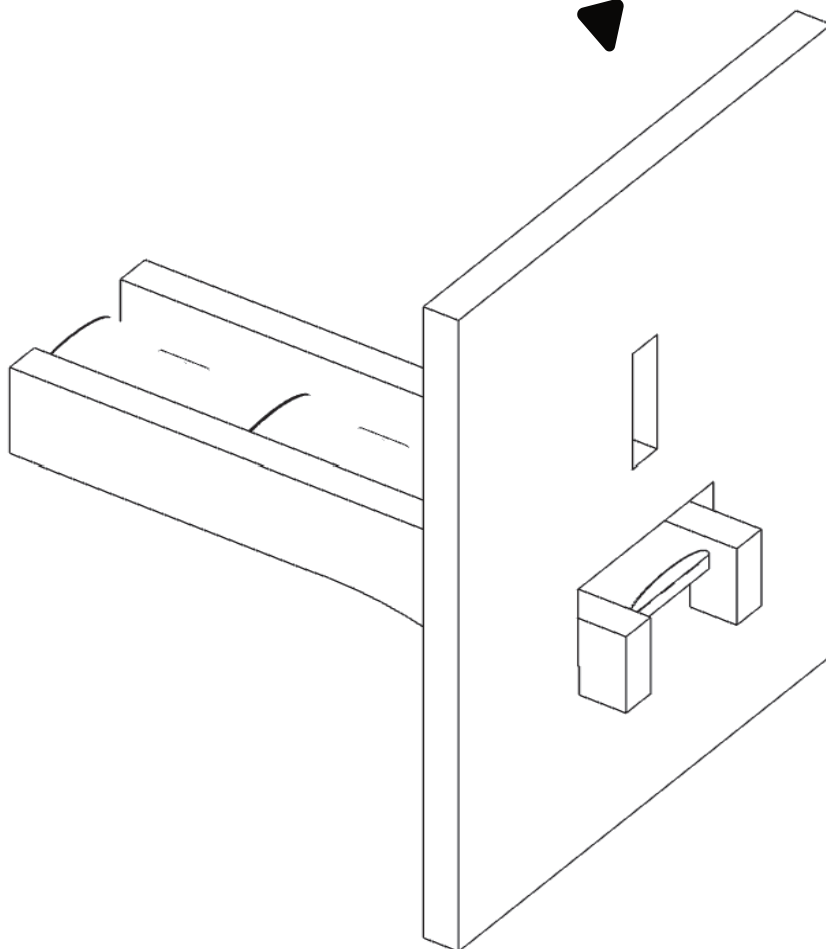
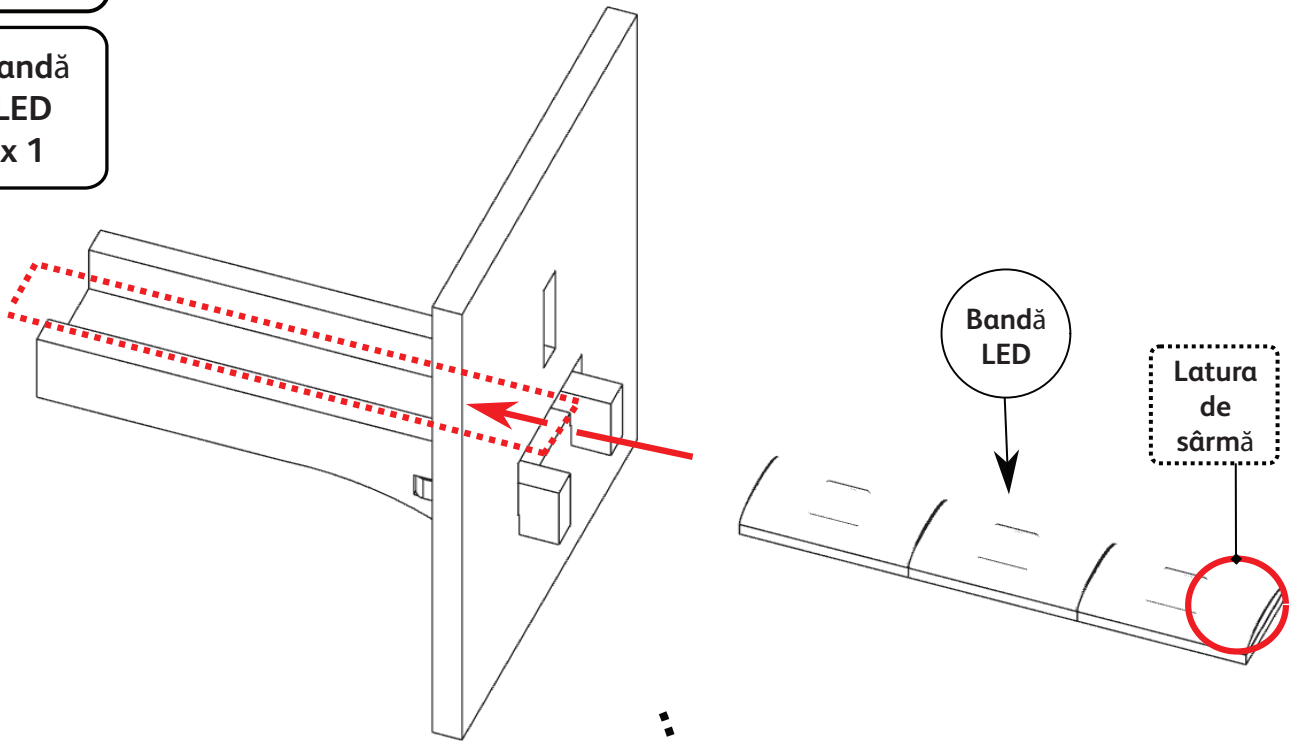
3

H7 x 1
H8 x 2
H10 x 1



4

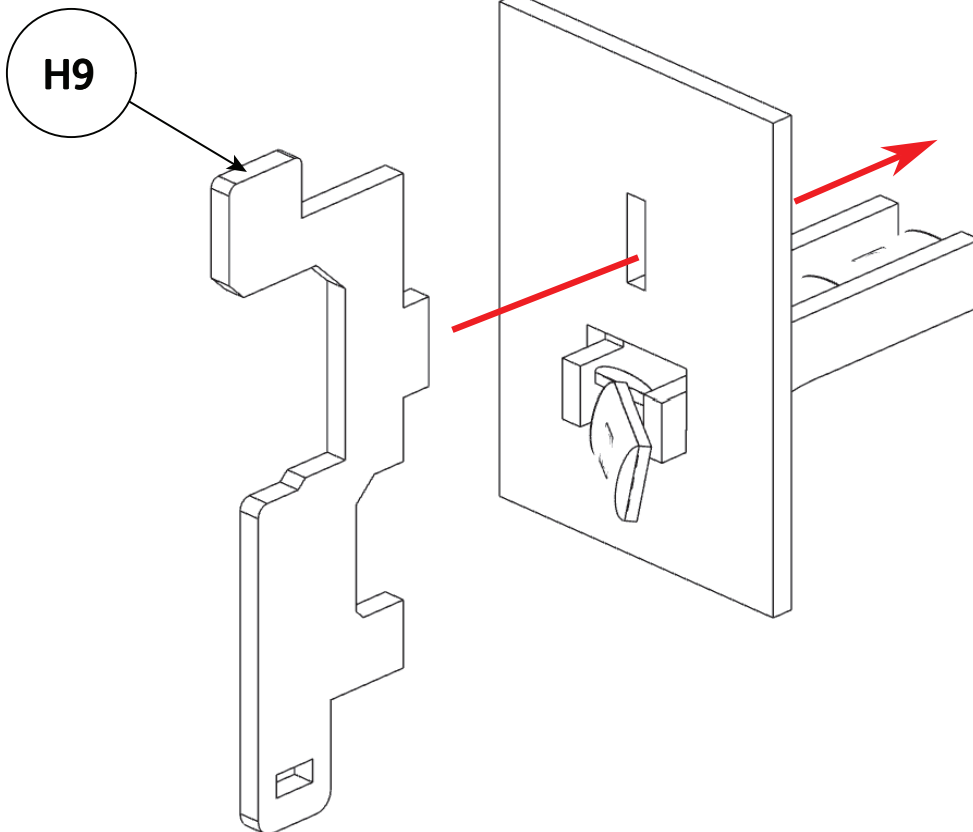
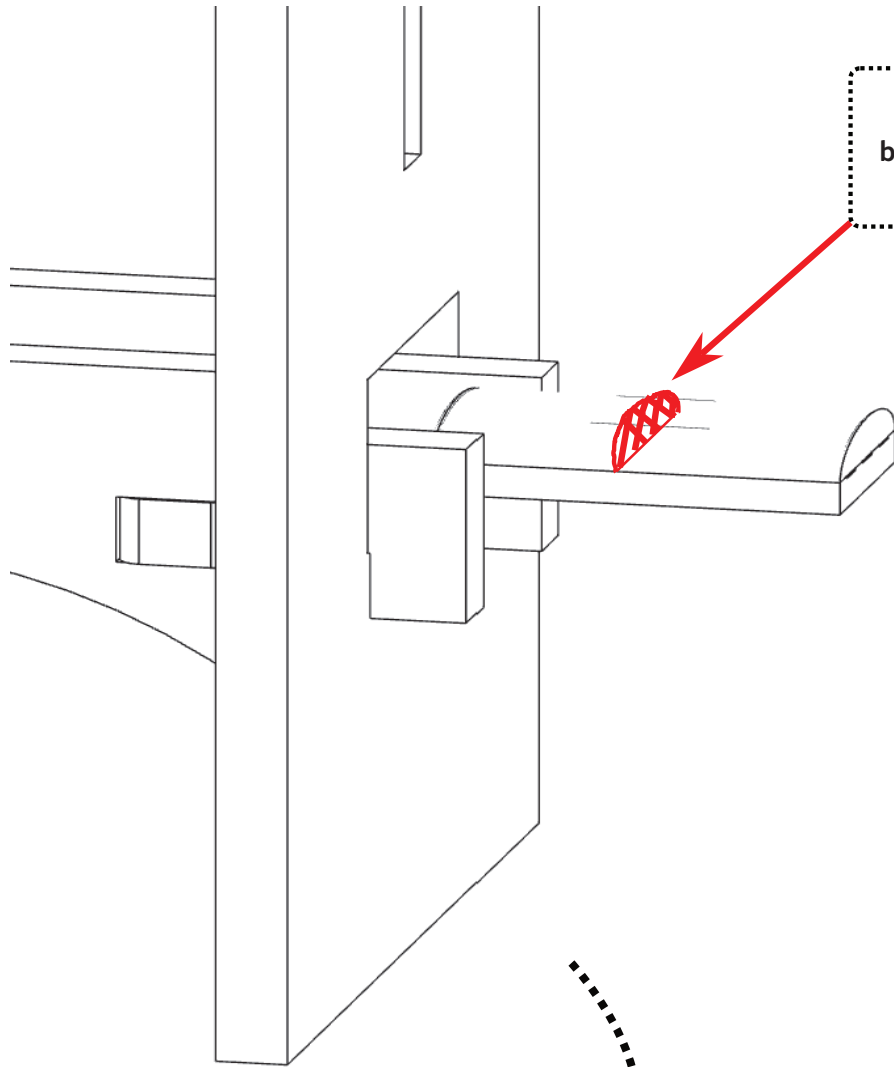
Bandă
LED
x 1



5

**Bandă LED
x 1
H9 x 1**

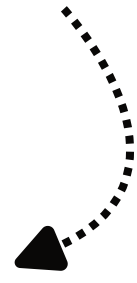
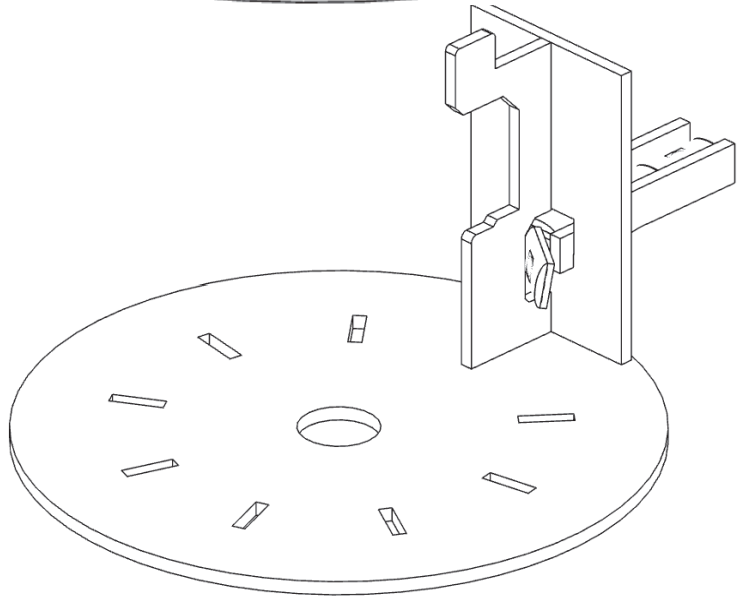
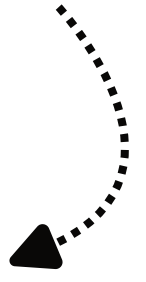
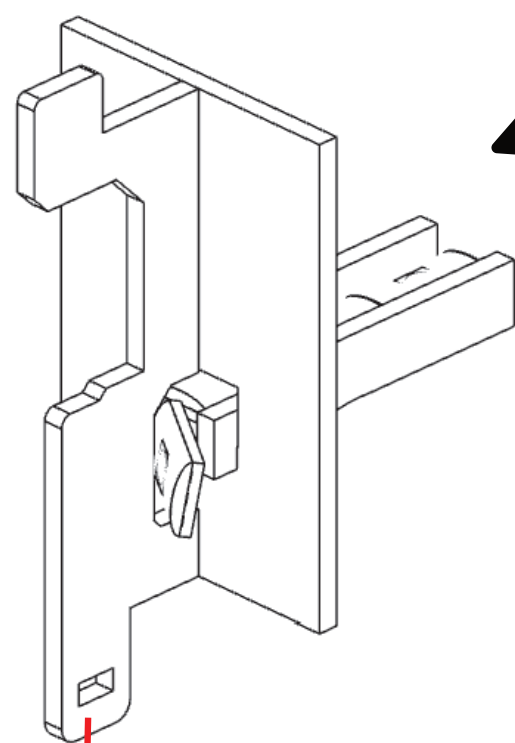
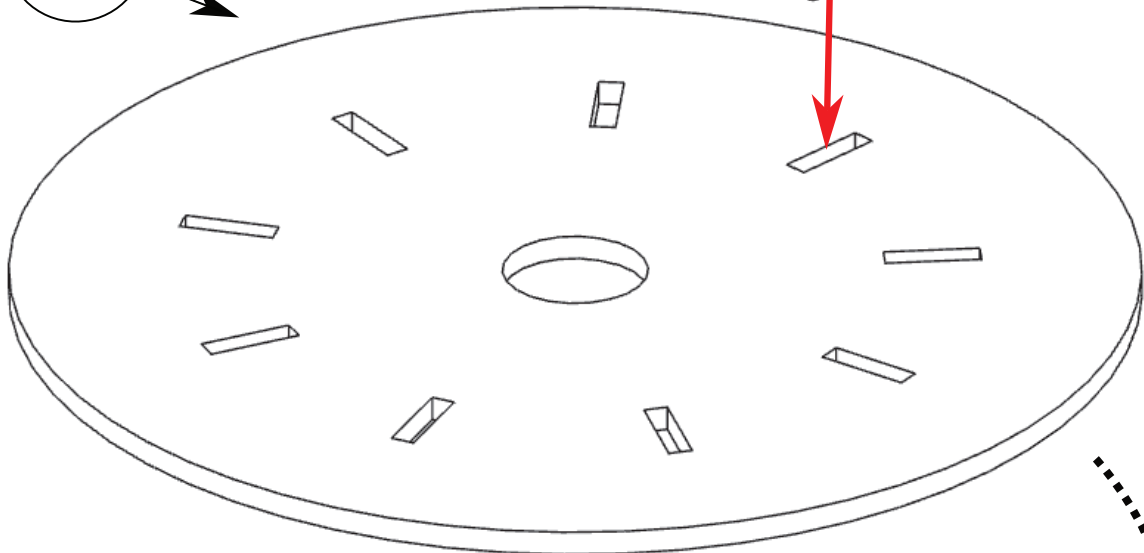
Îndoți
banda LED
aici



6

H3 x 1

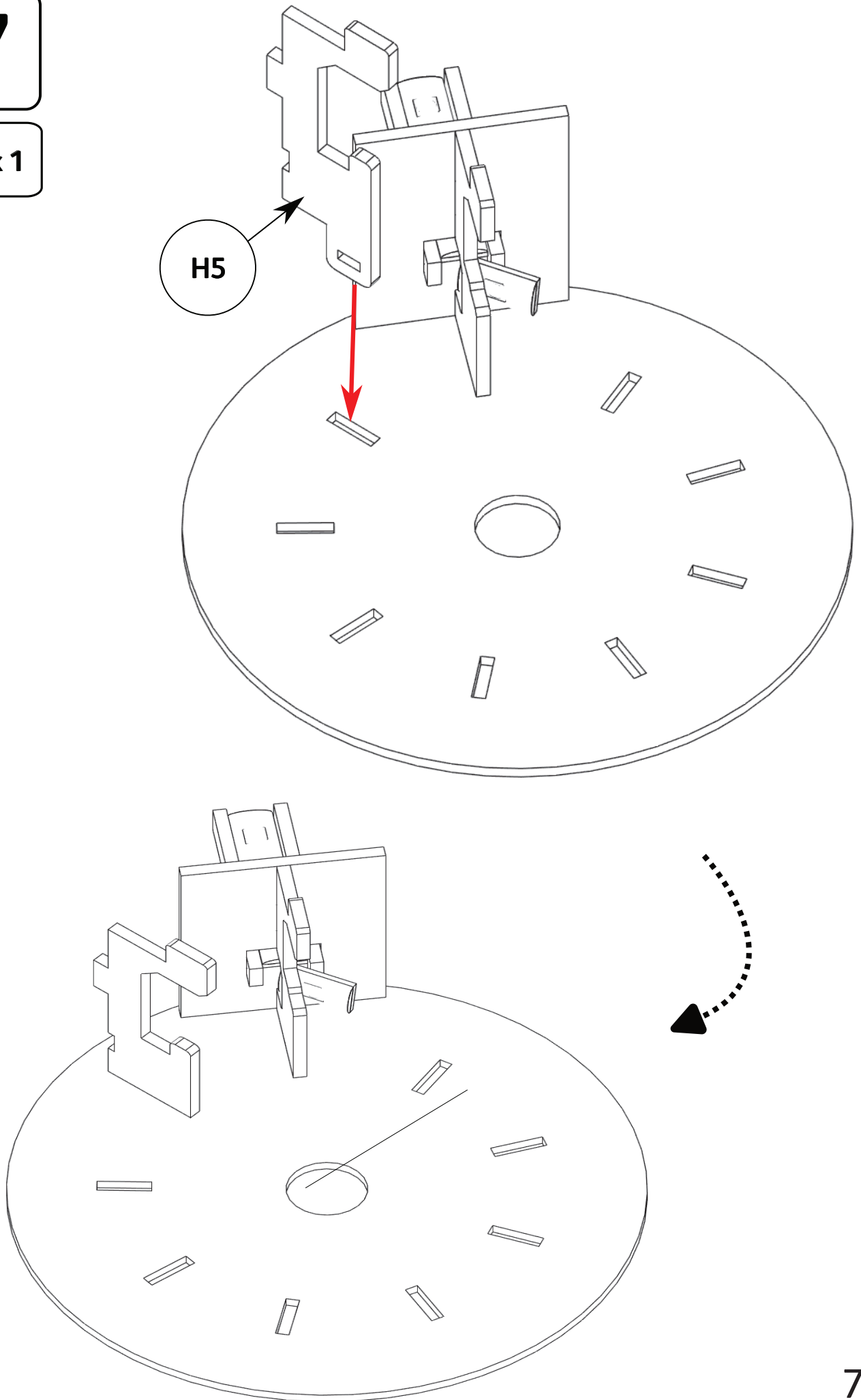
H3



7

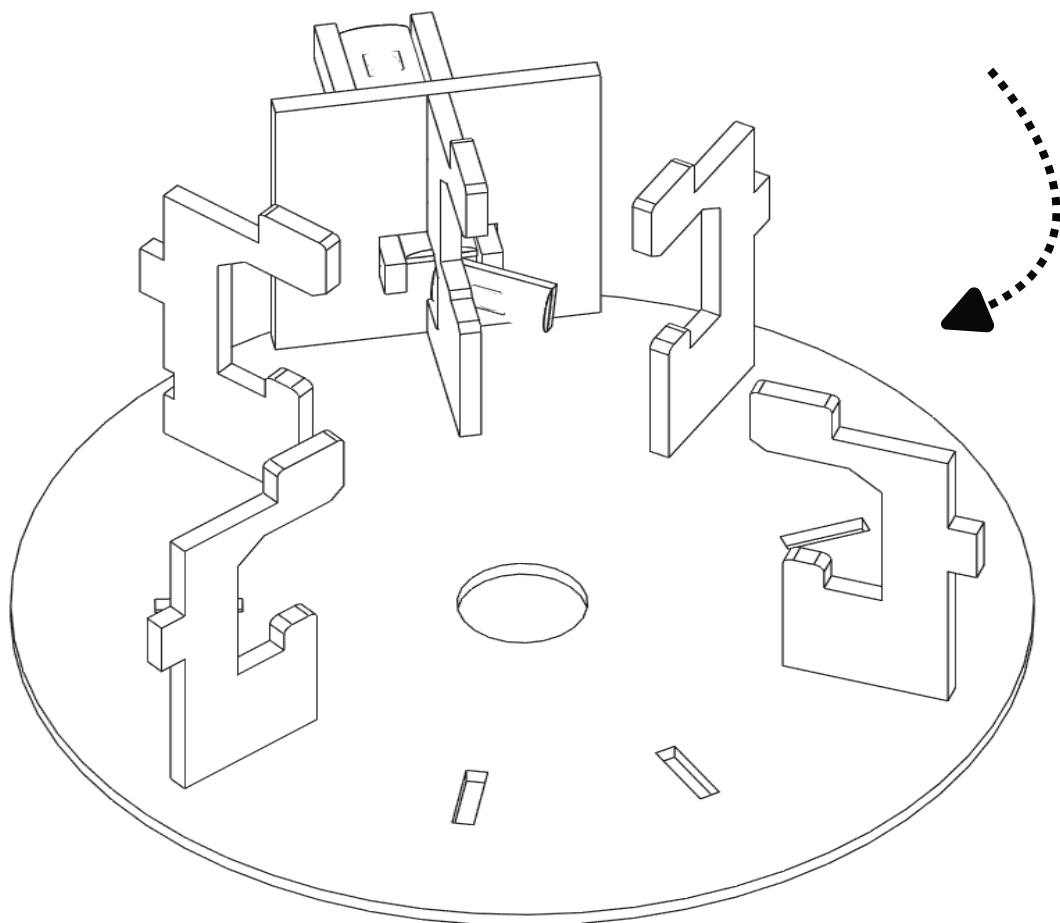
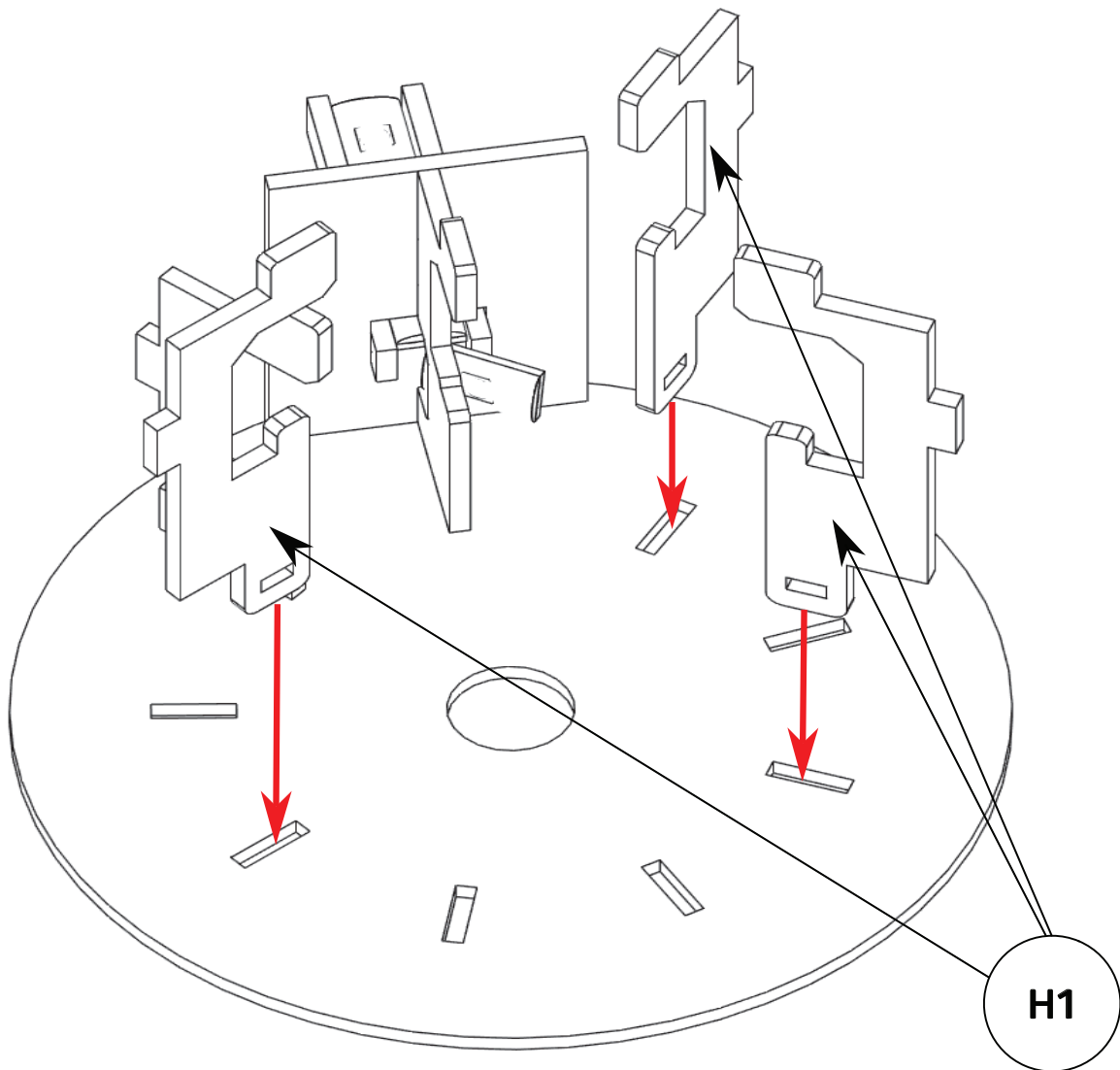
H5 x 1

H5



8

H1 x 3

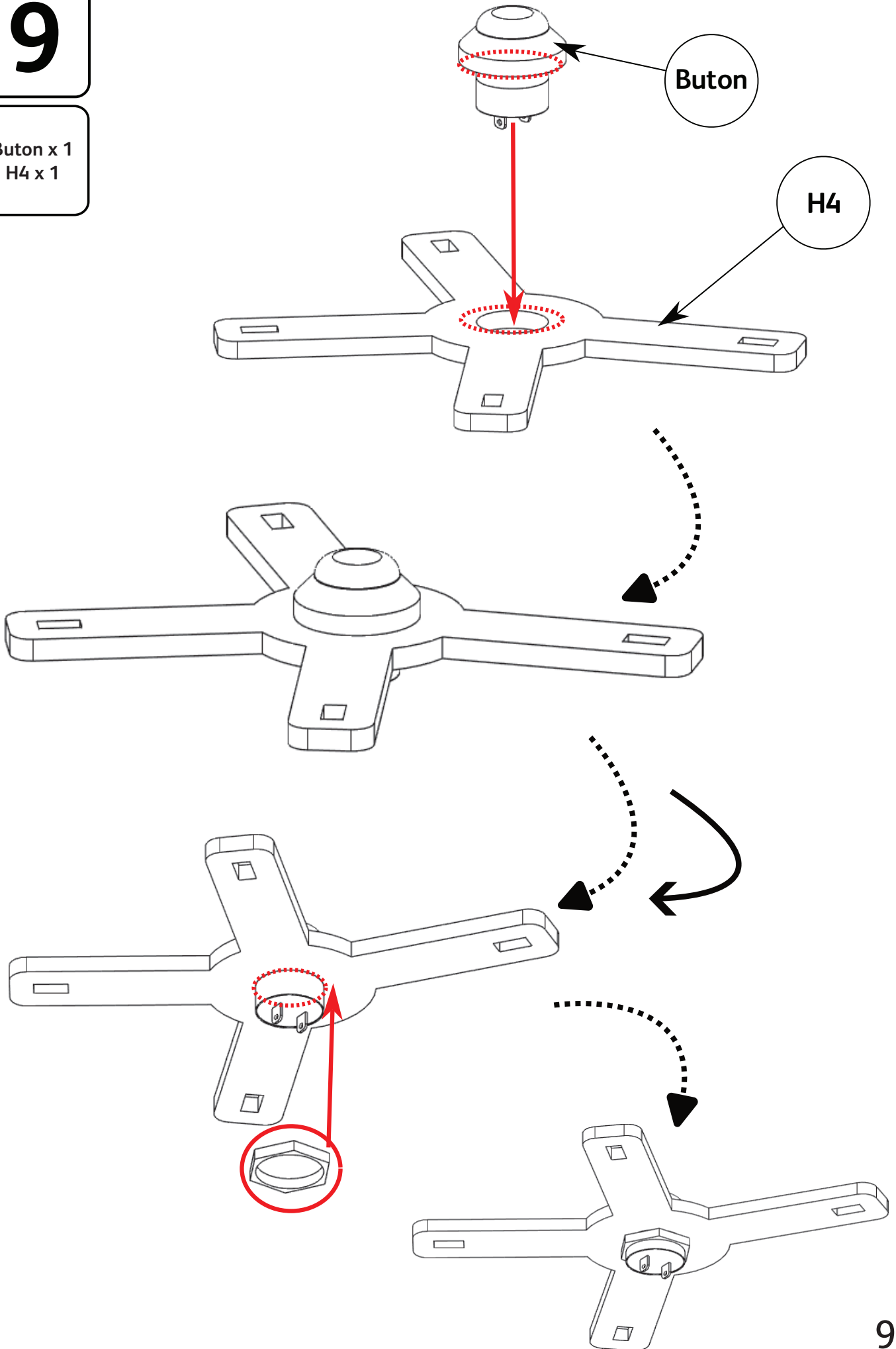


9

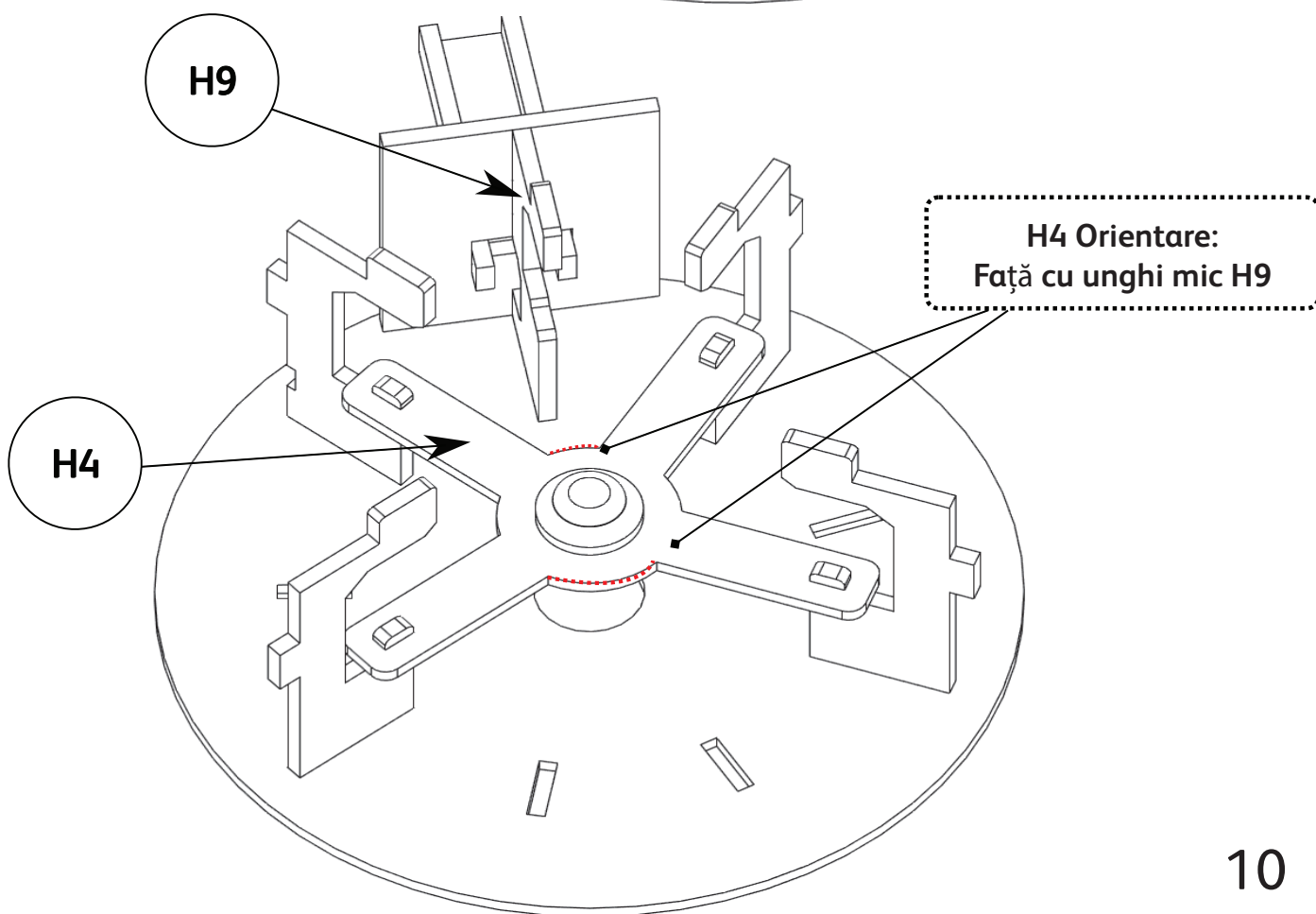
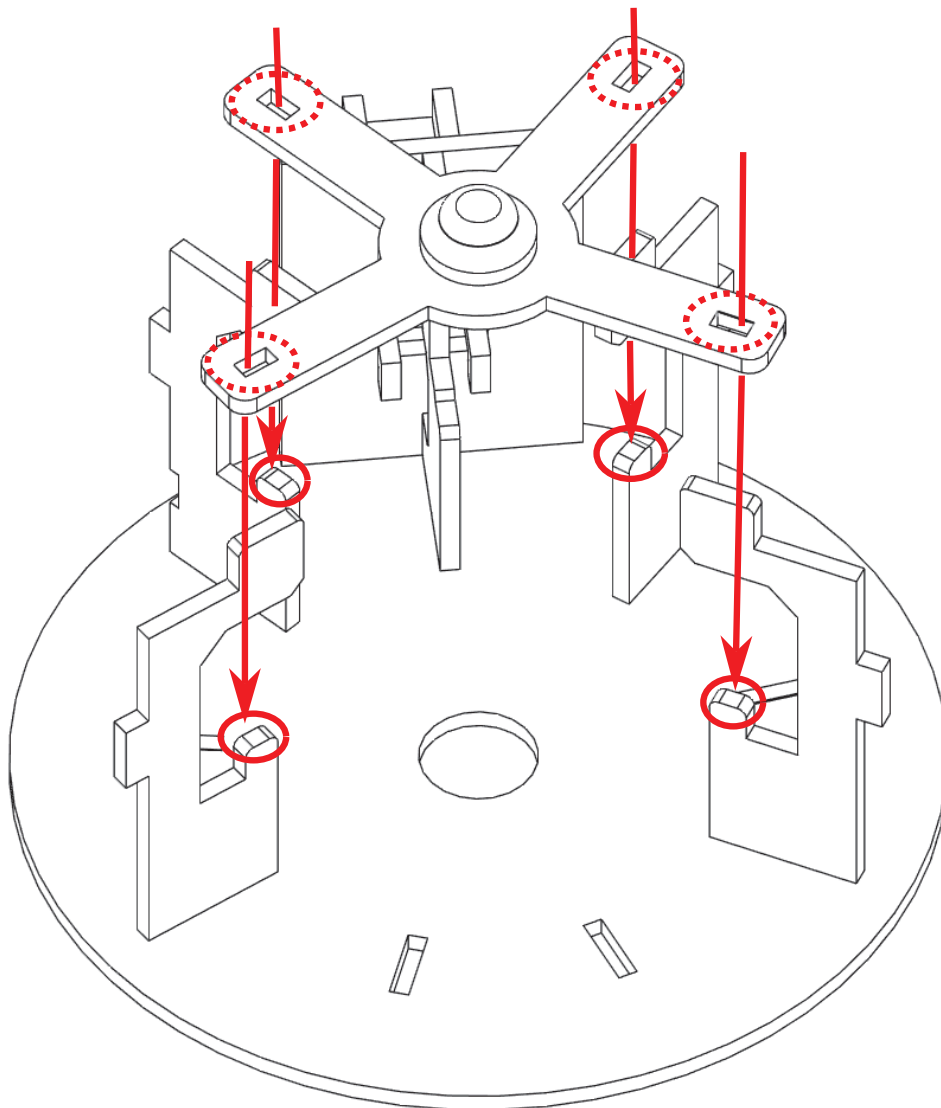
Buton x 1
H4 x 1

Buton

H4

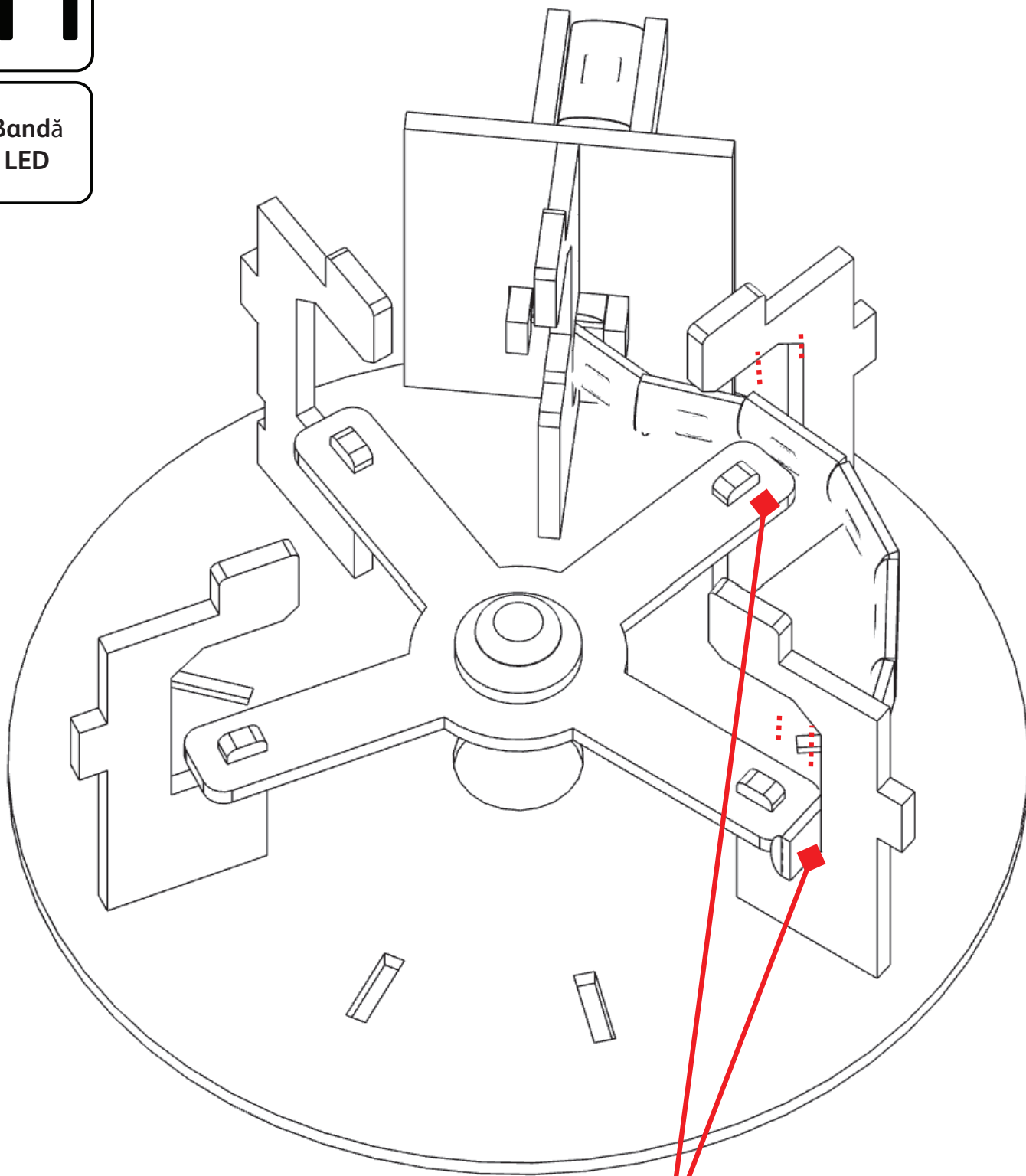


10



11

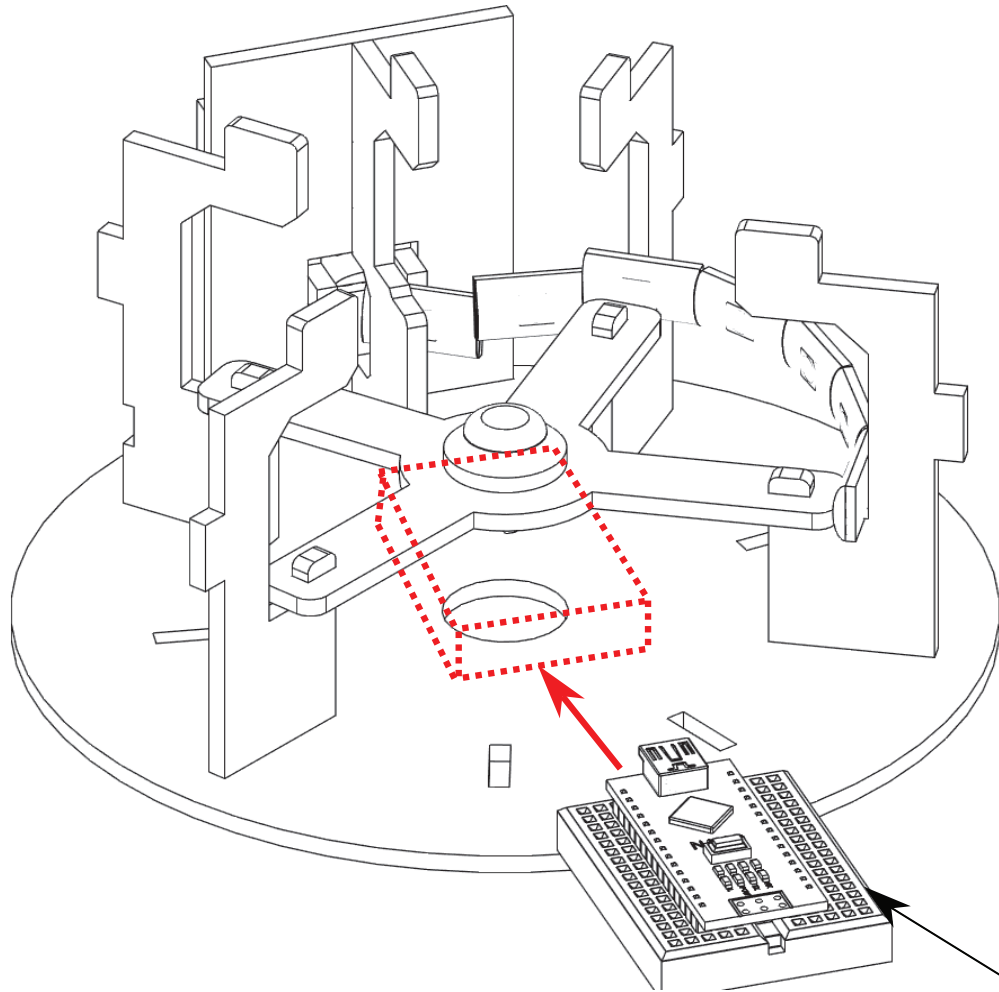
Bandă
LED



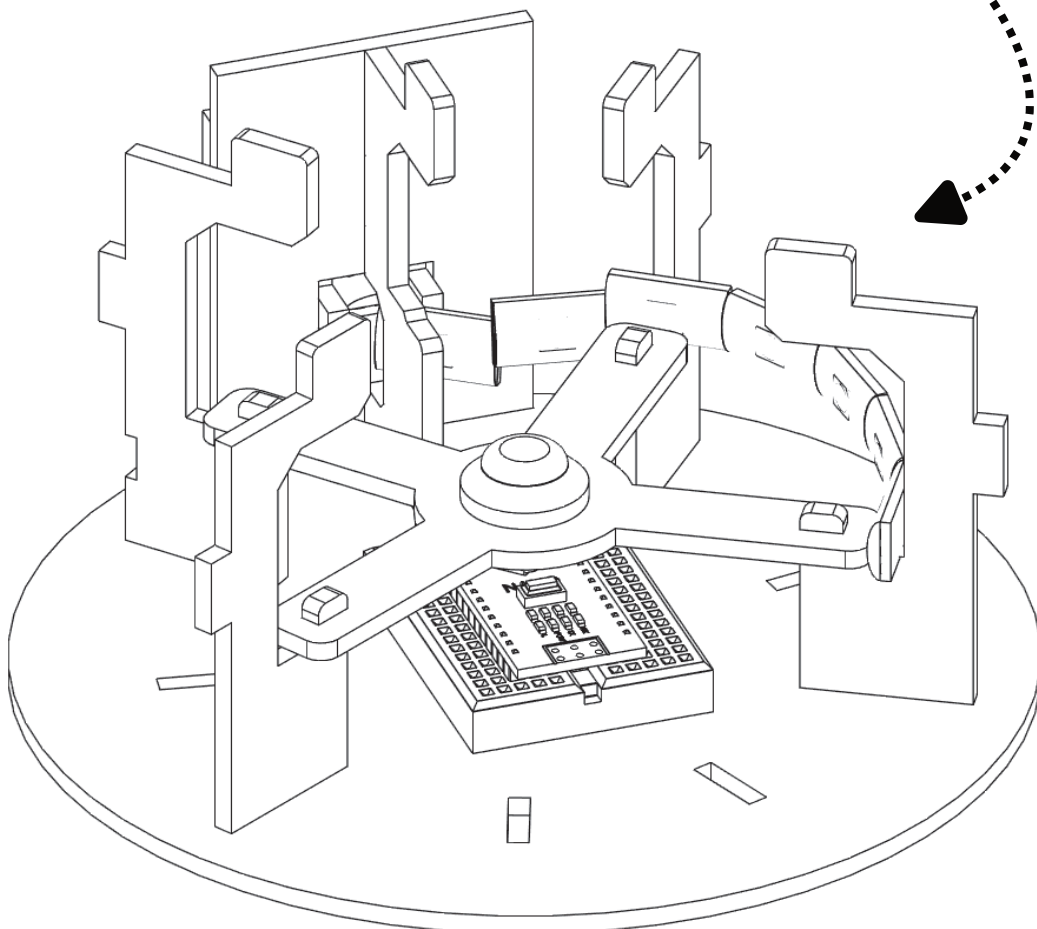
Introduceți banda LED între H1 și H4

12

Arduino
Nano x 1
Breadboard
x 1

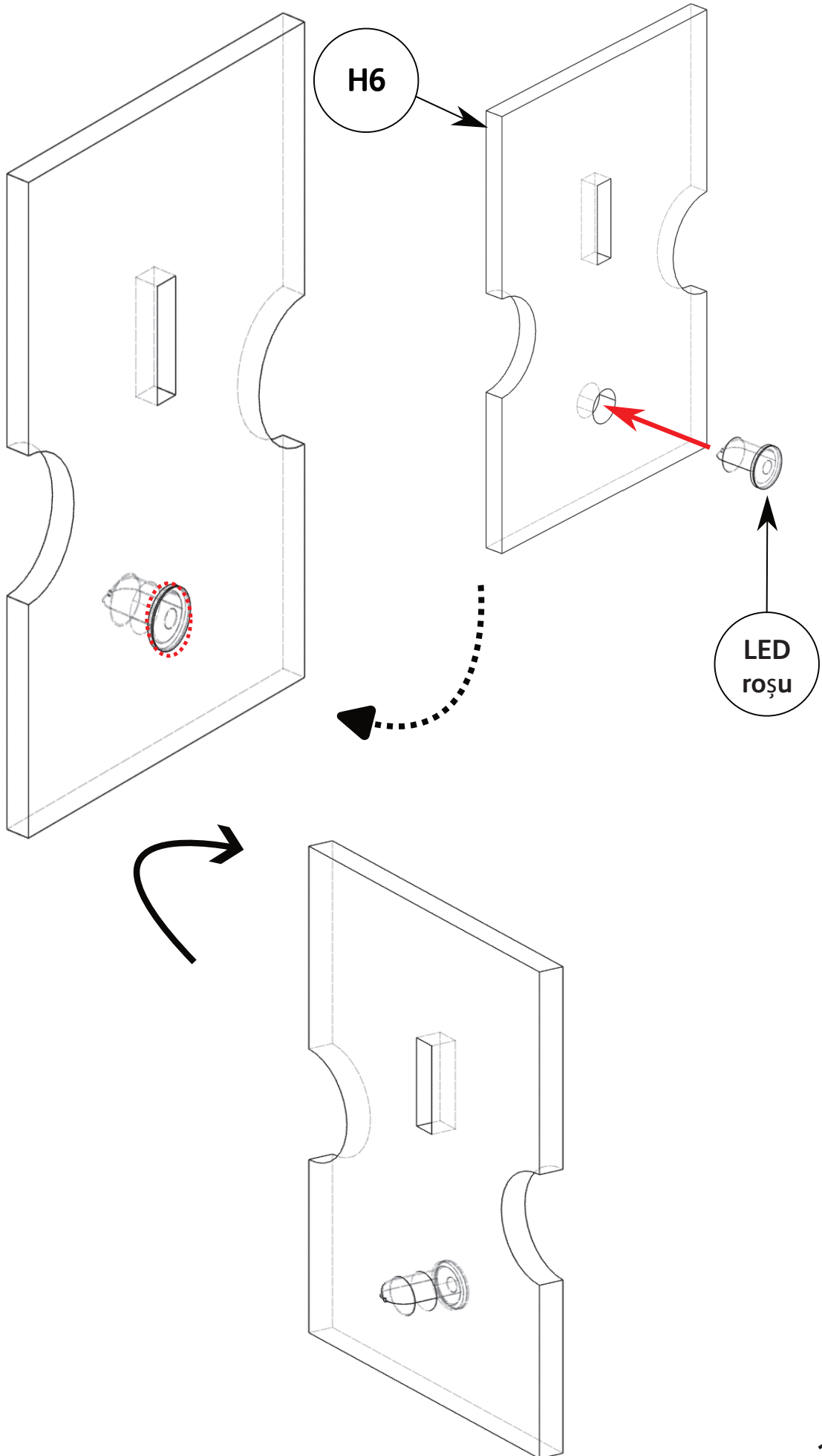


Arduino
Nano
+
Breadboard

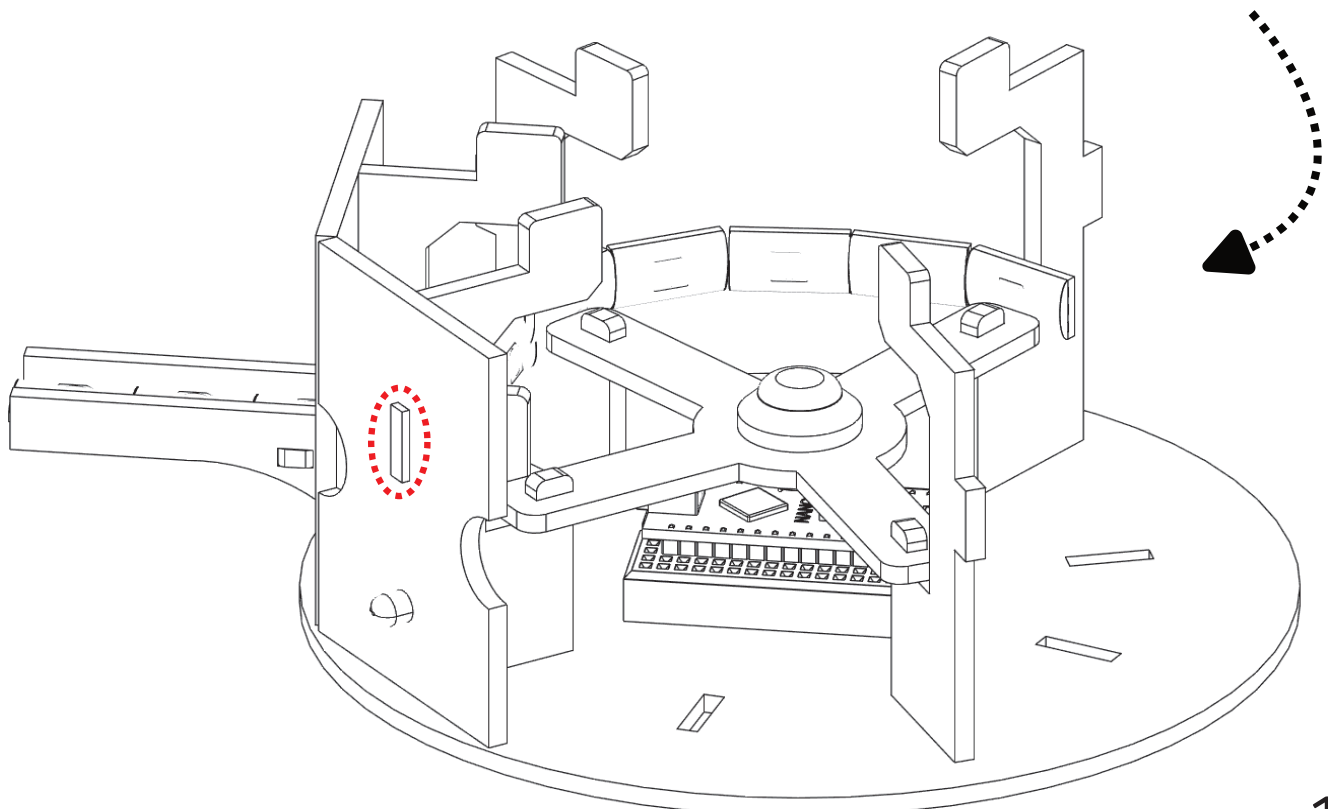
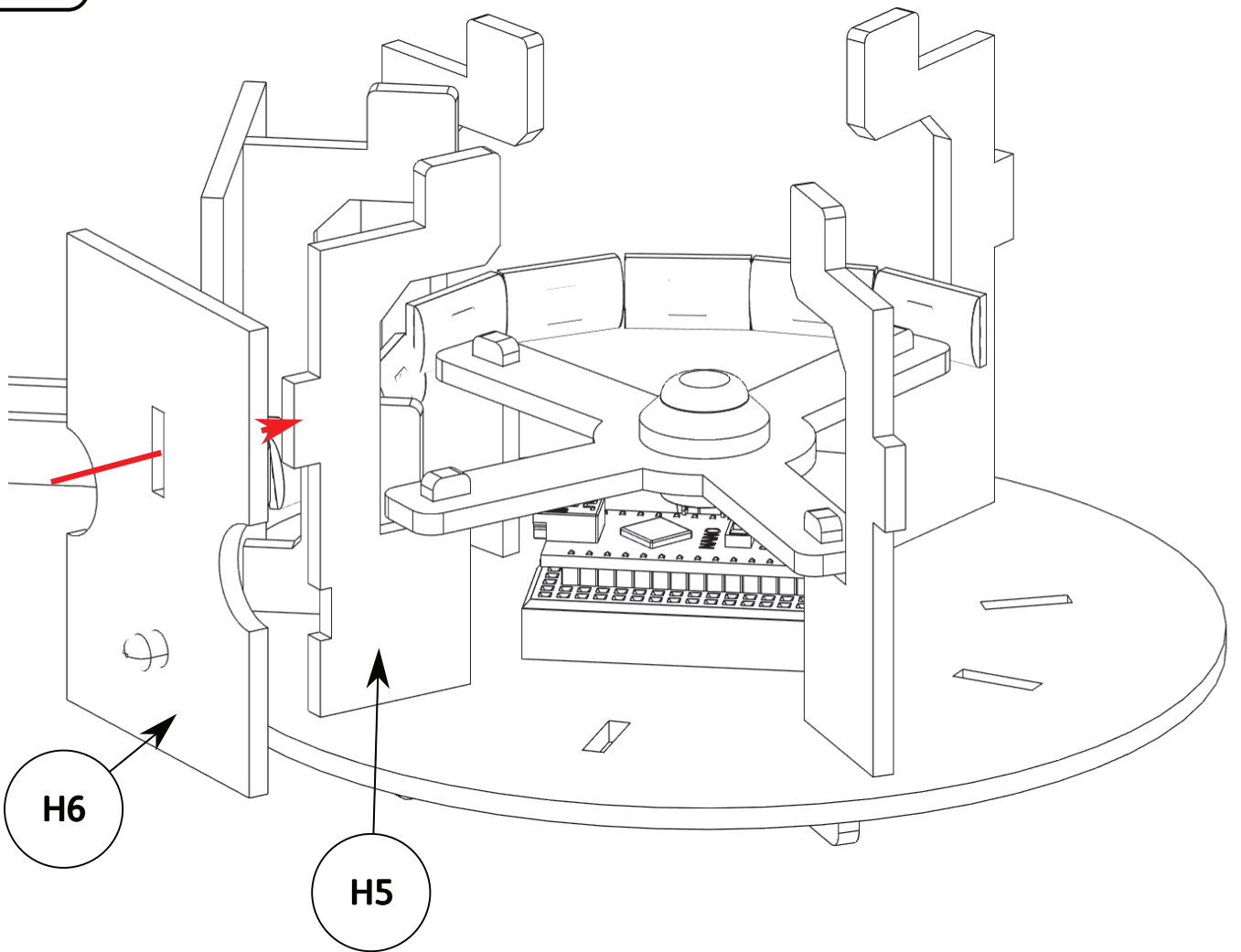


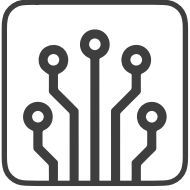
13

LED roşu
x 1
H6 x 1

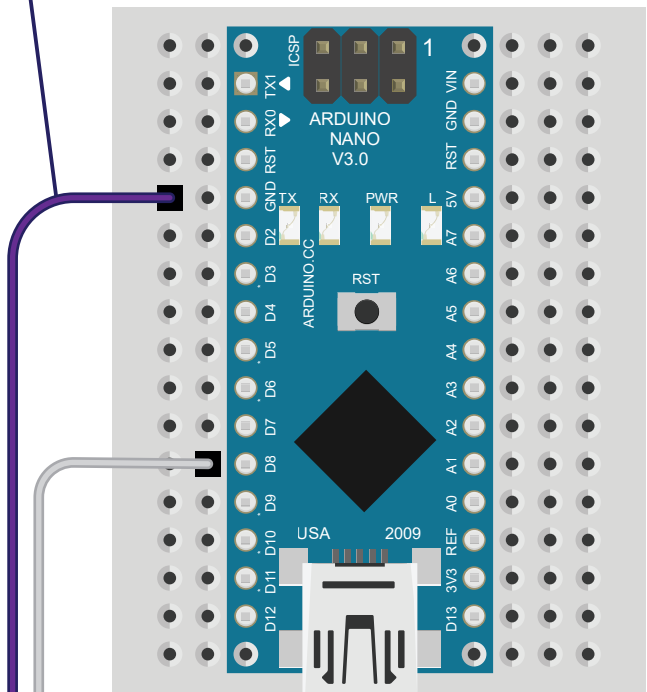


14

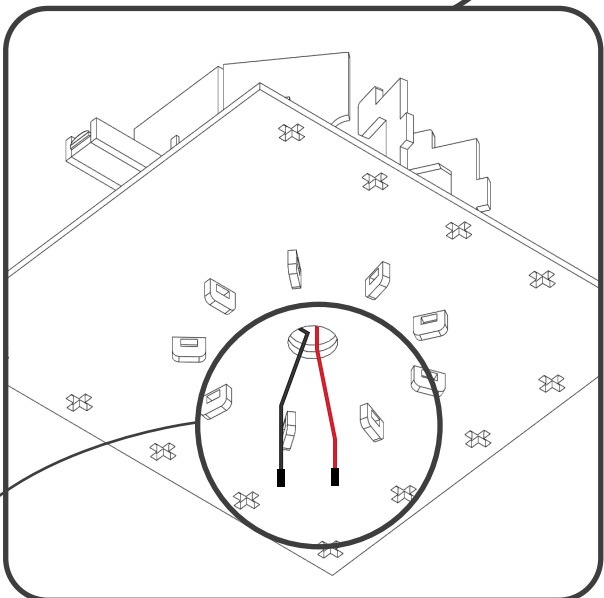
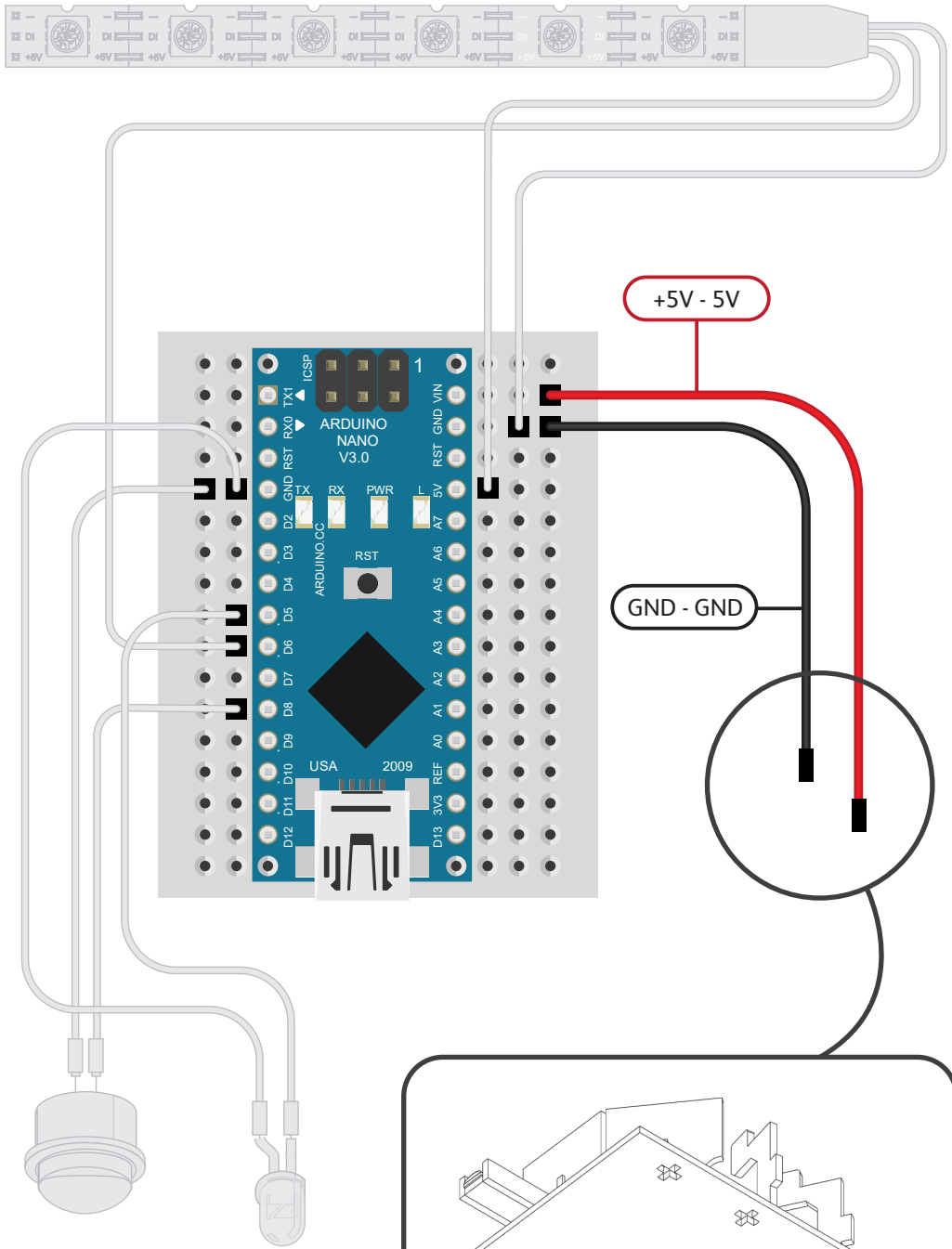
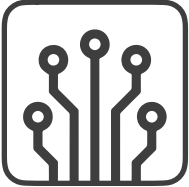




Negative - GND



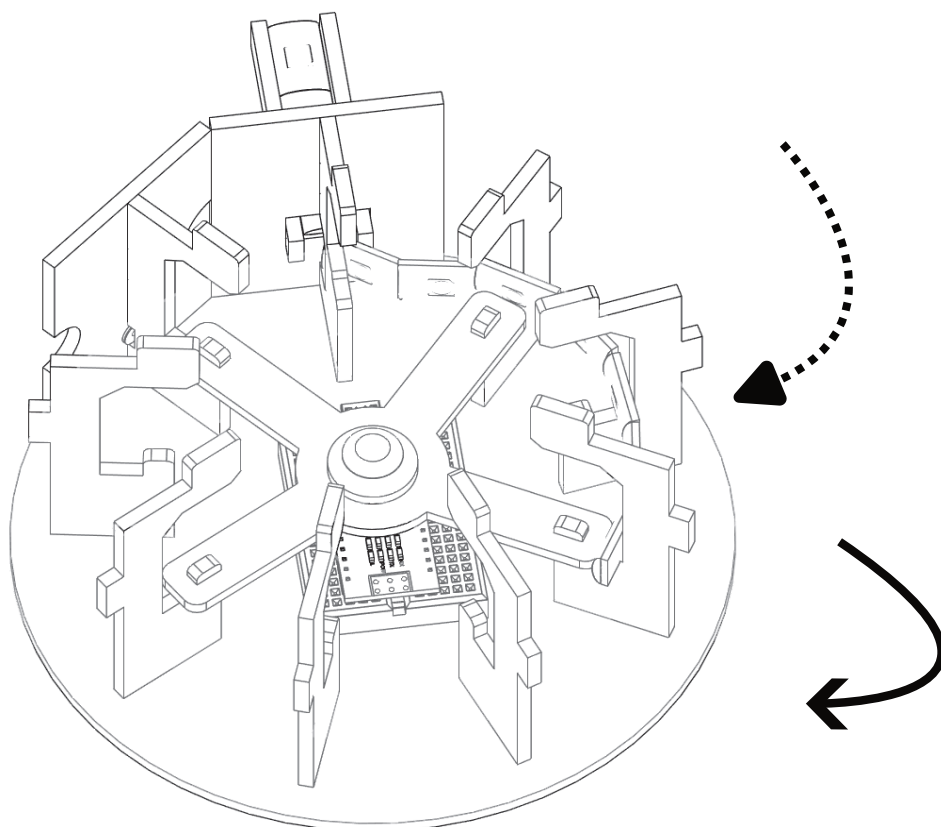
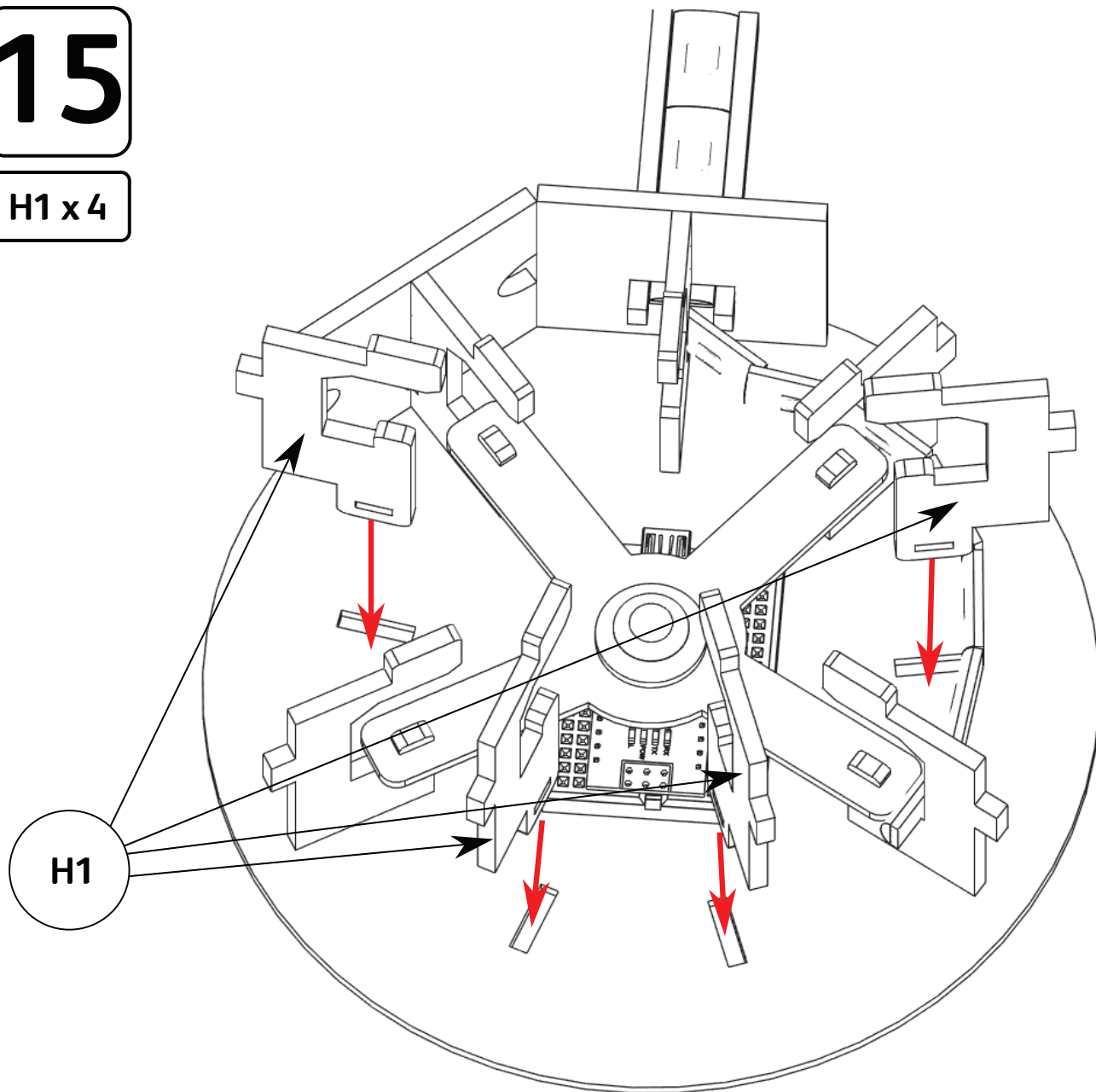
Positive - Pin 8



Connect to Solar Farm.

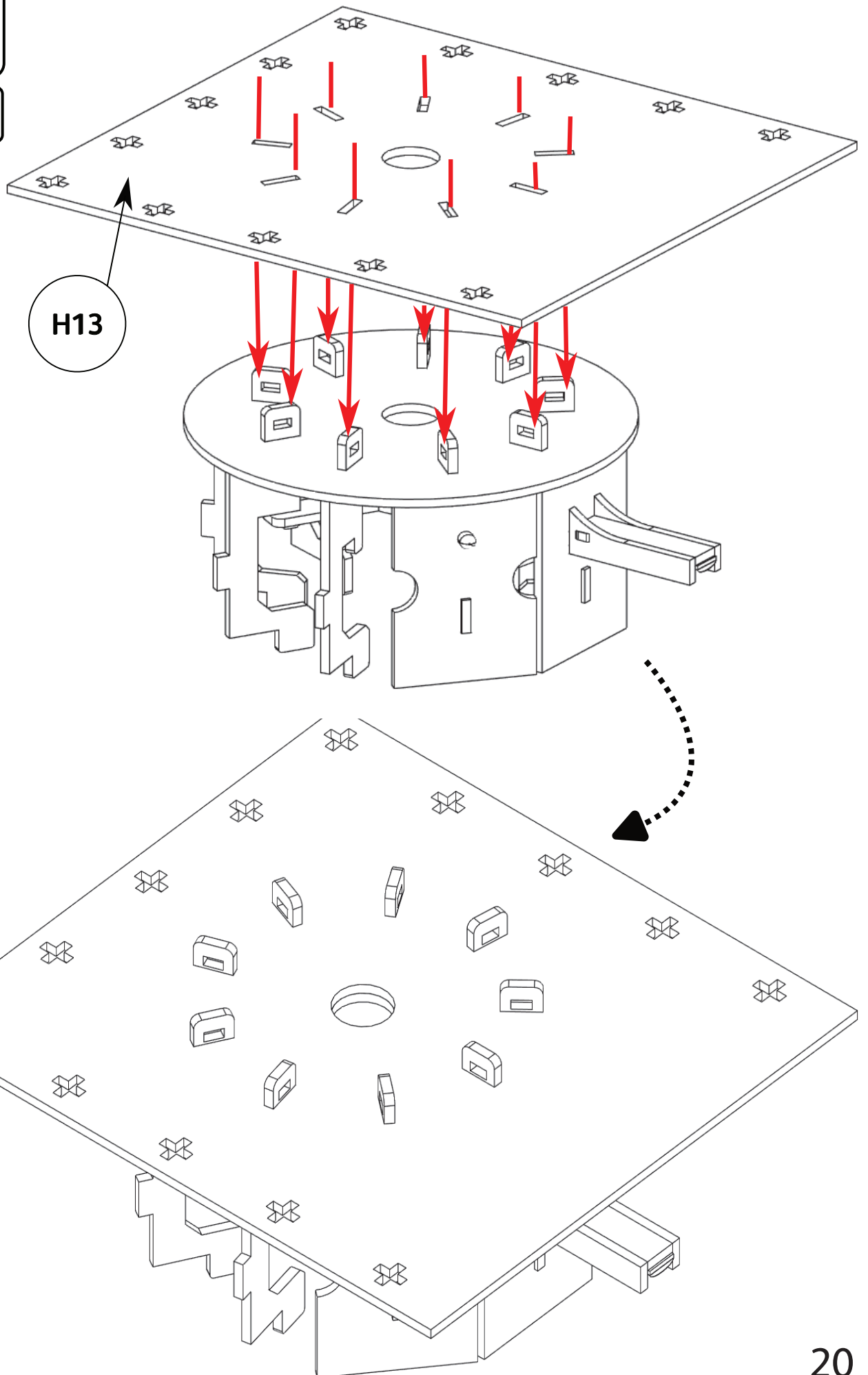
15

H1 x 4



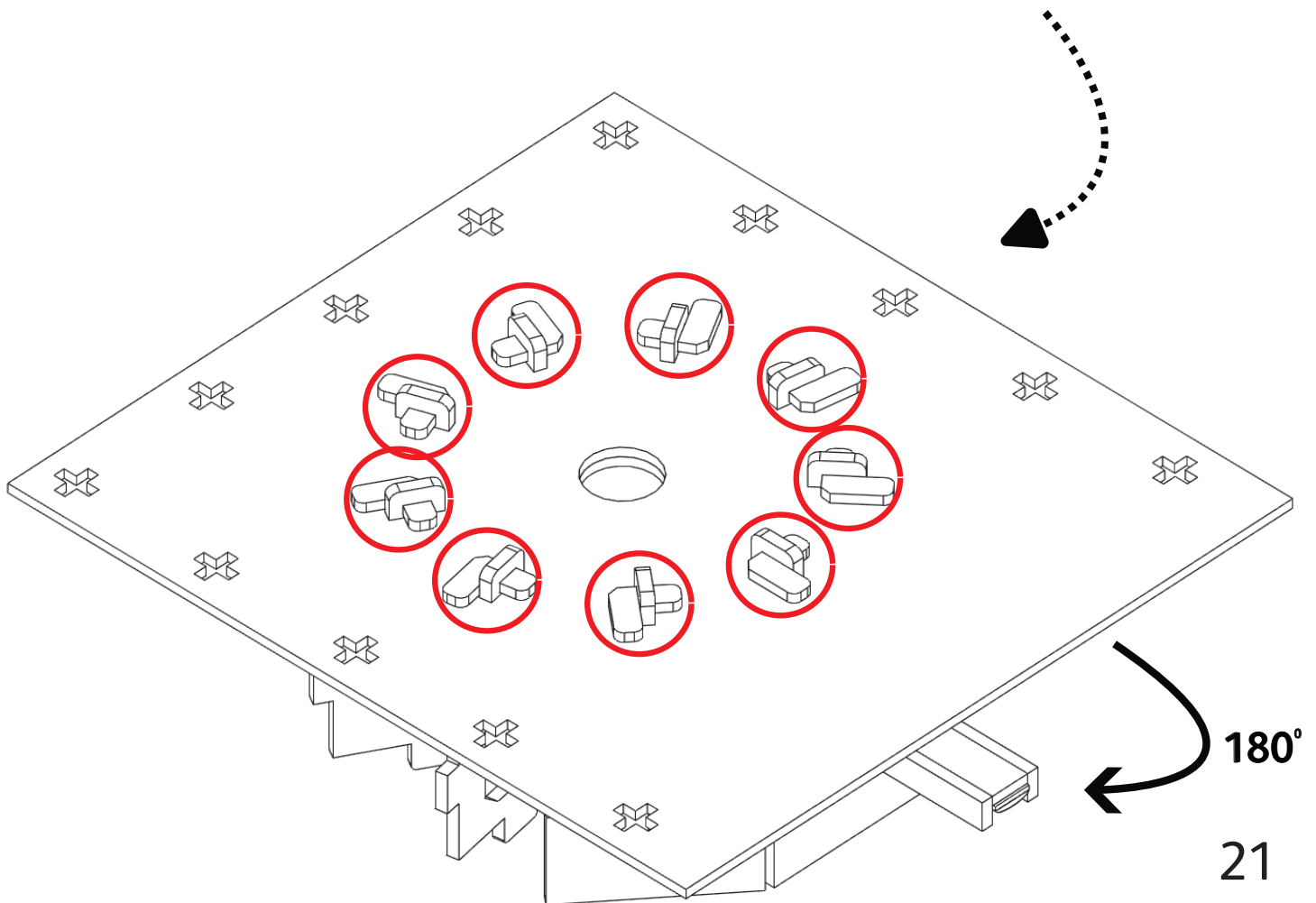
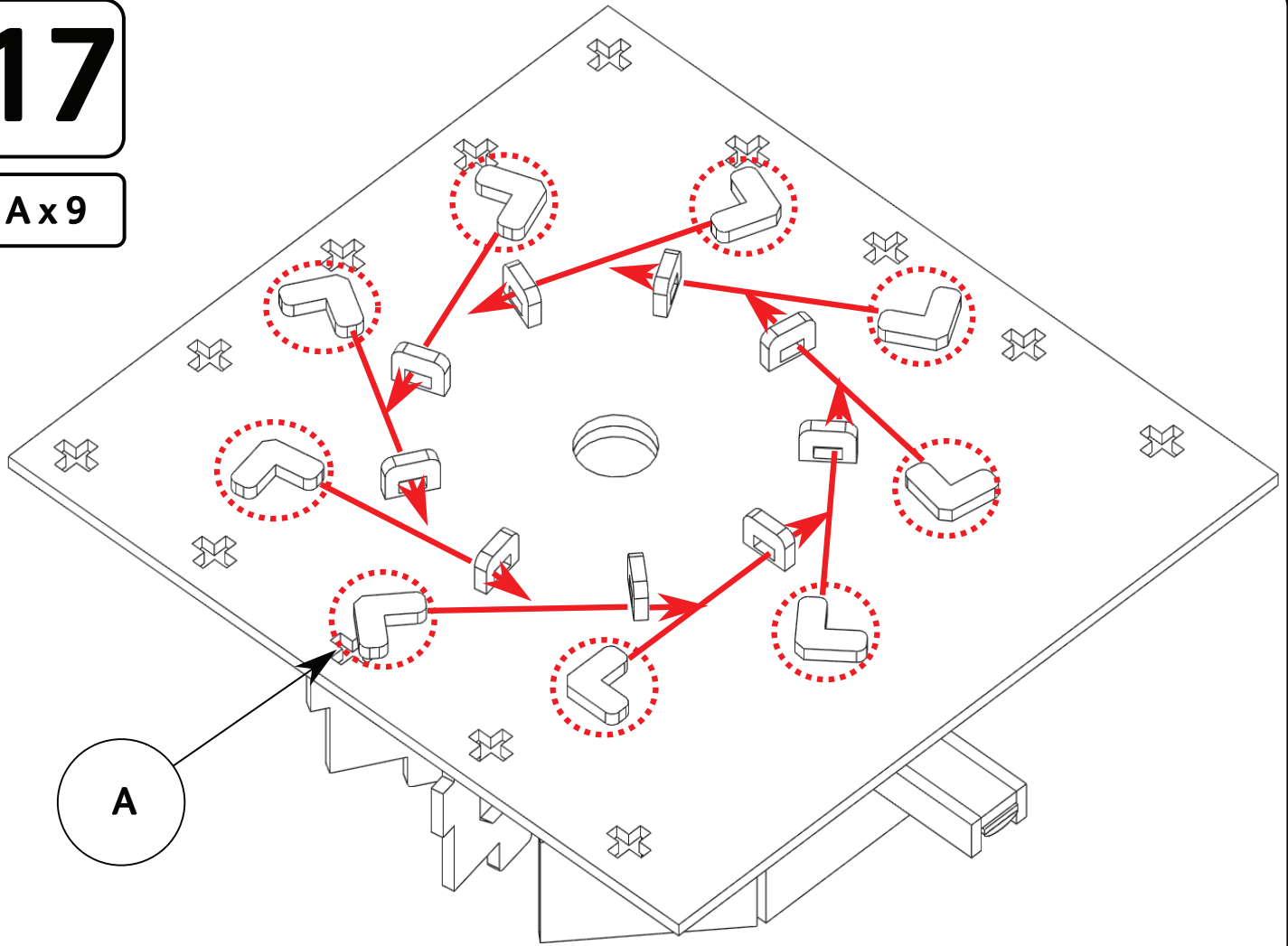
16

H13 x 1



17

A x 9

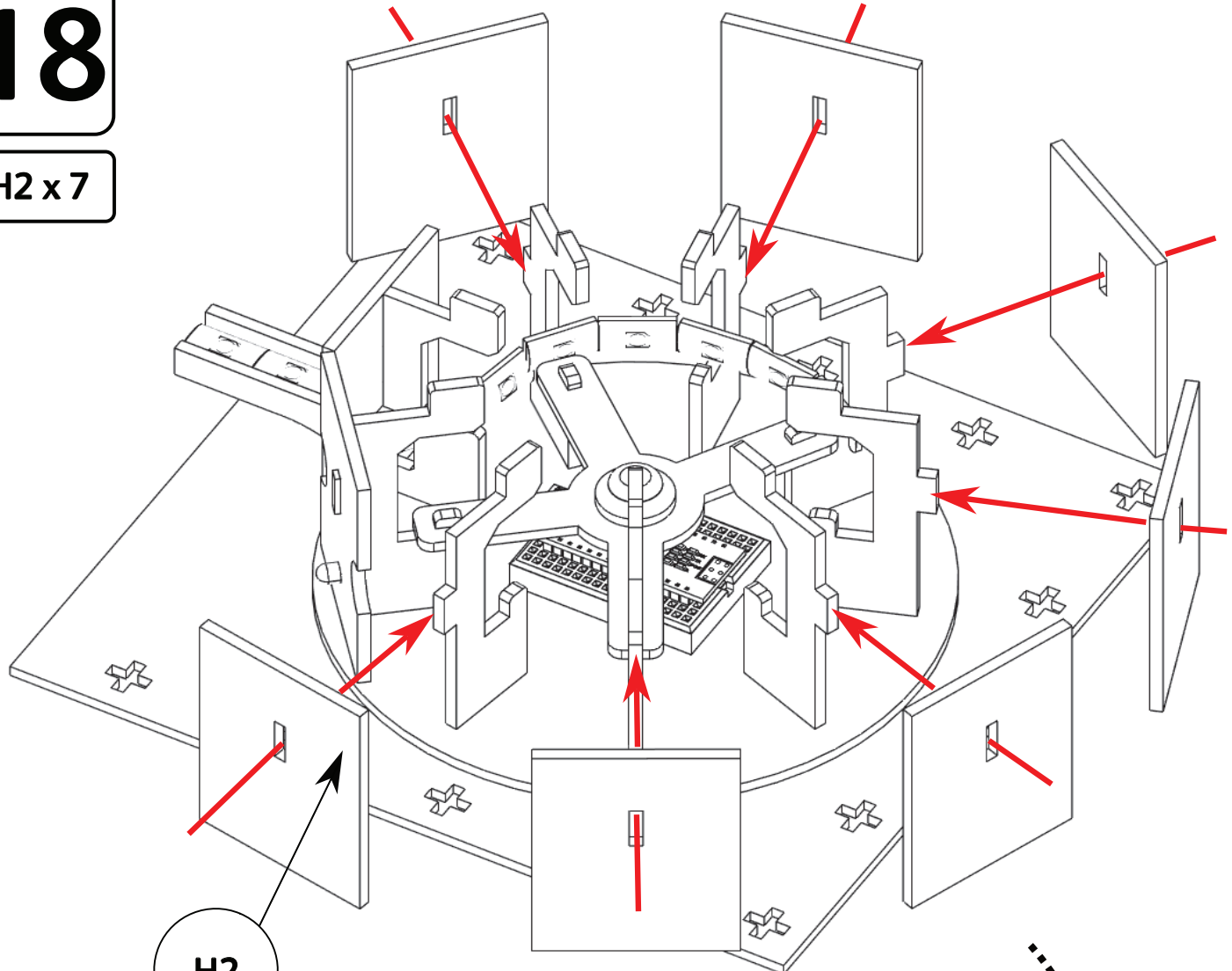


180°

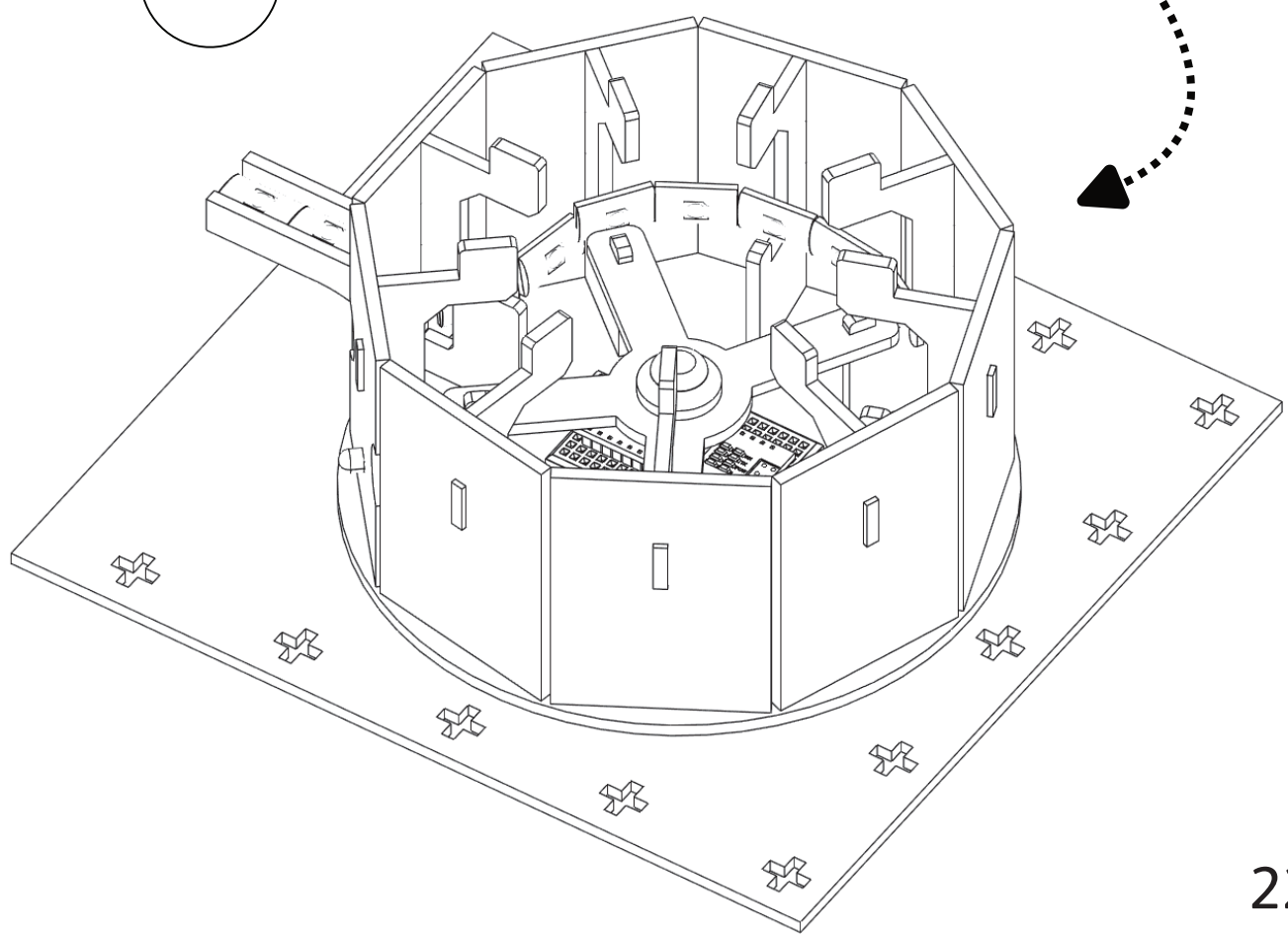
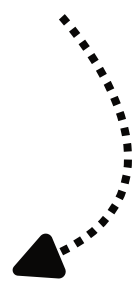
21

18

H2 x 7



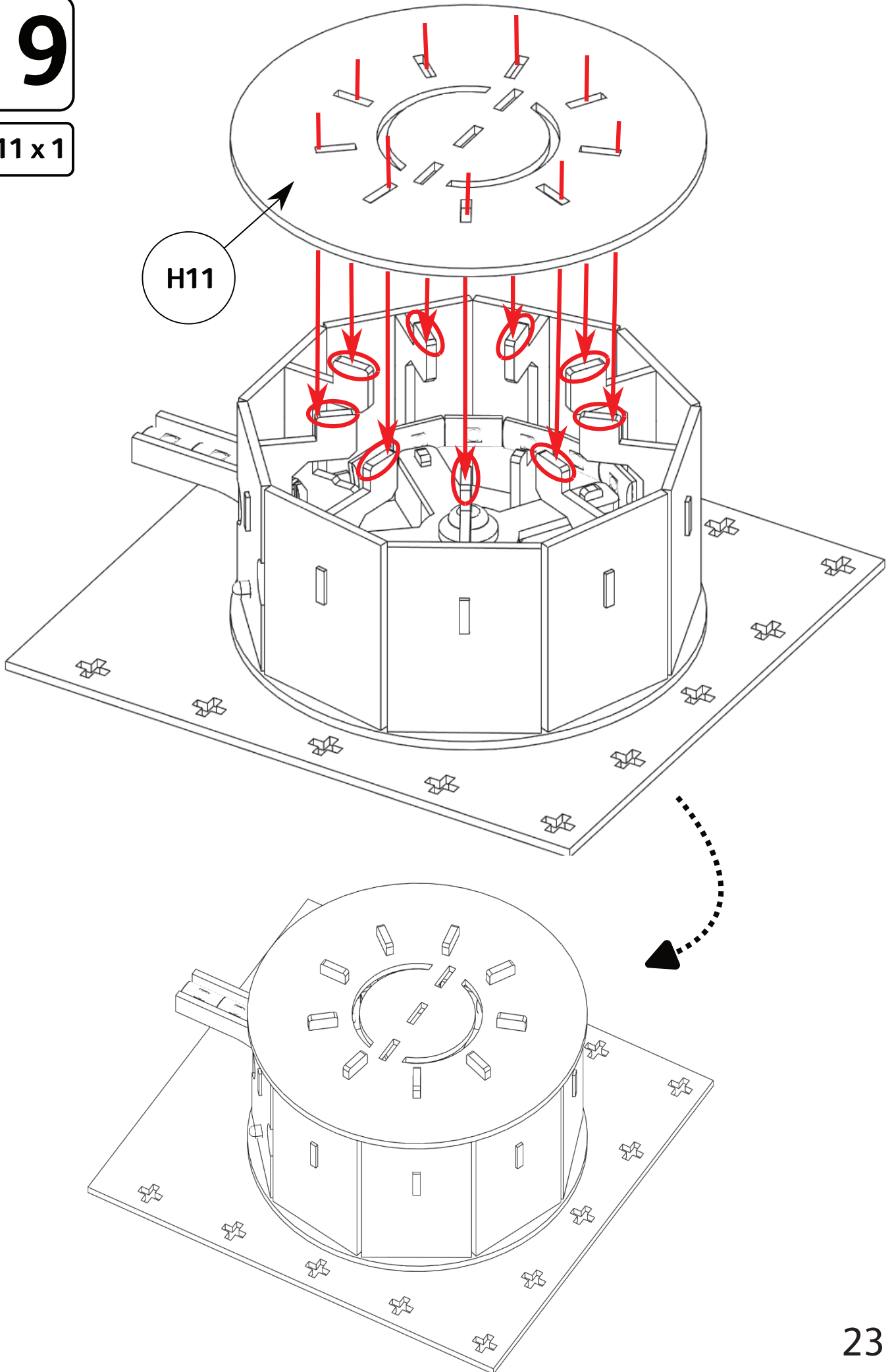
H2



22

19

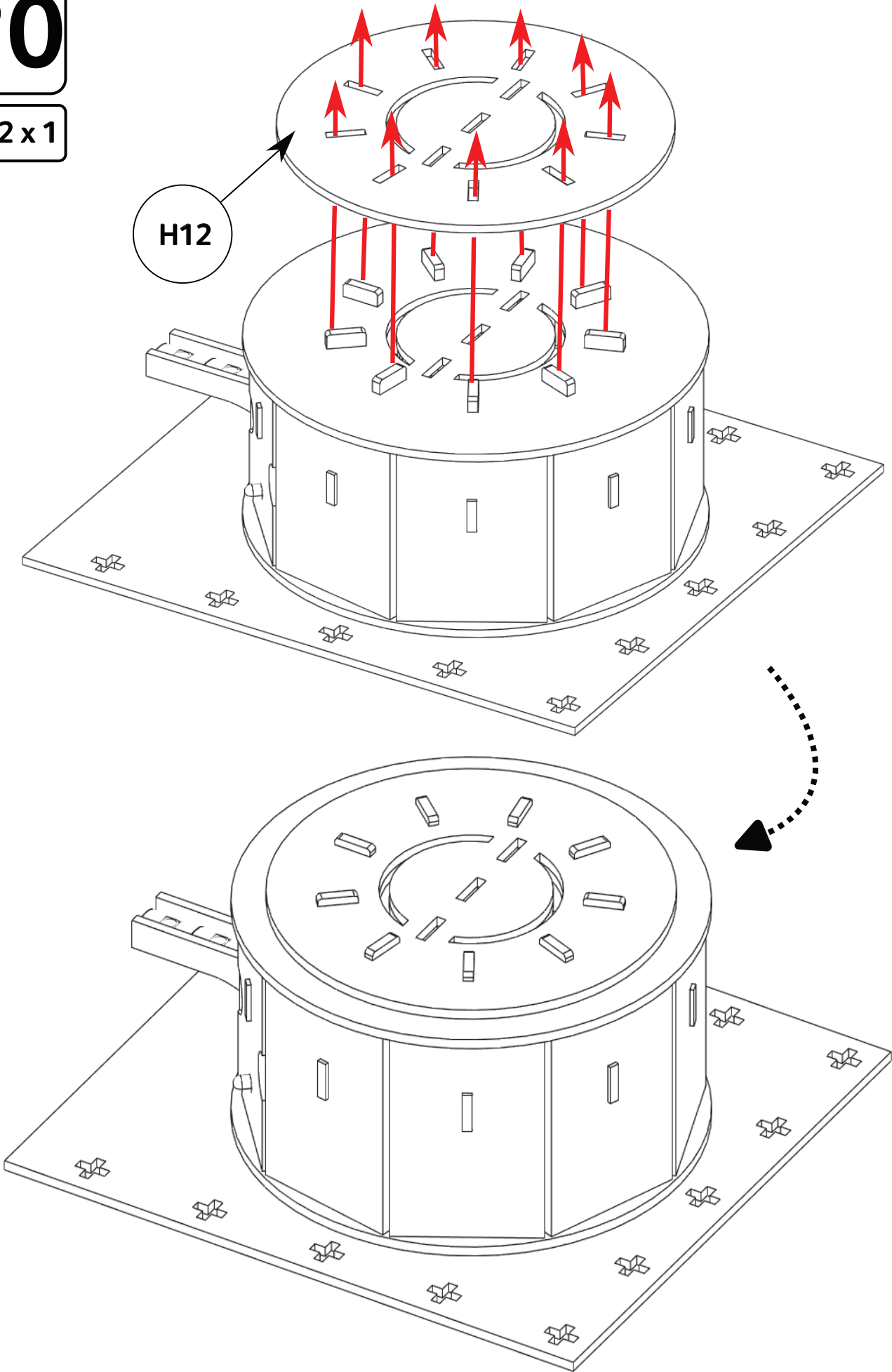
H11 x 1



20

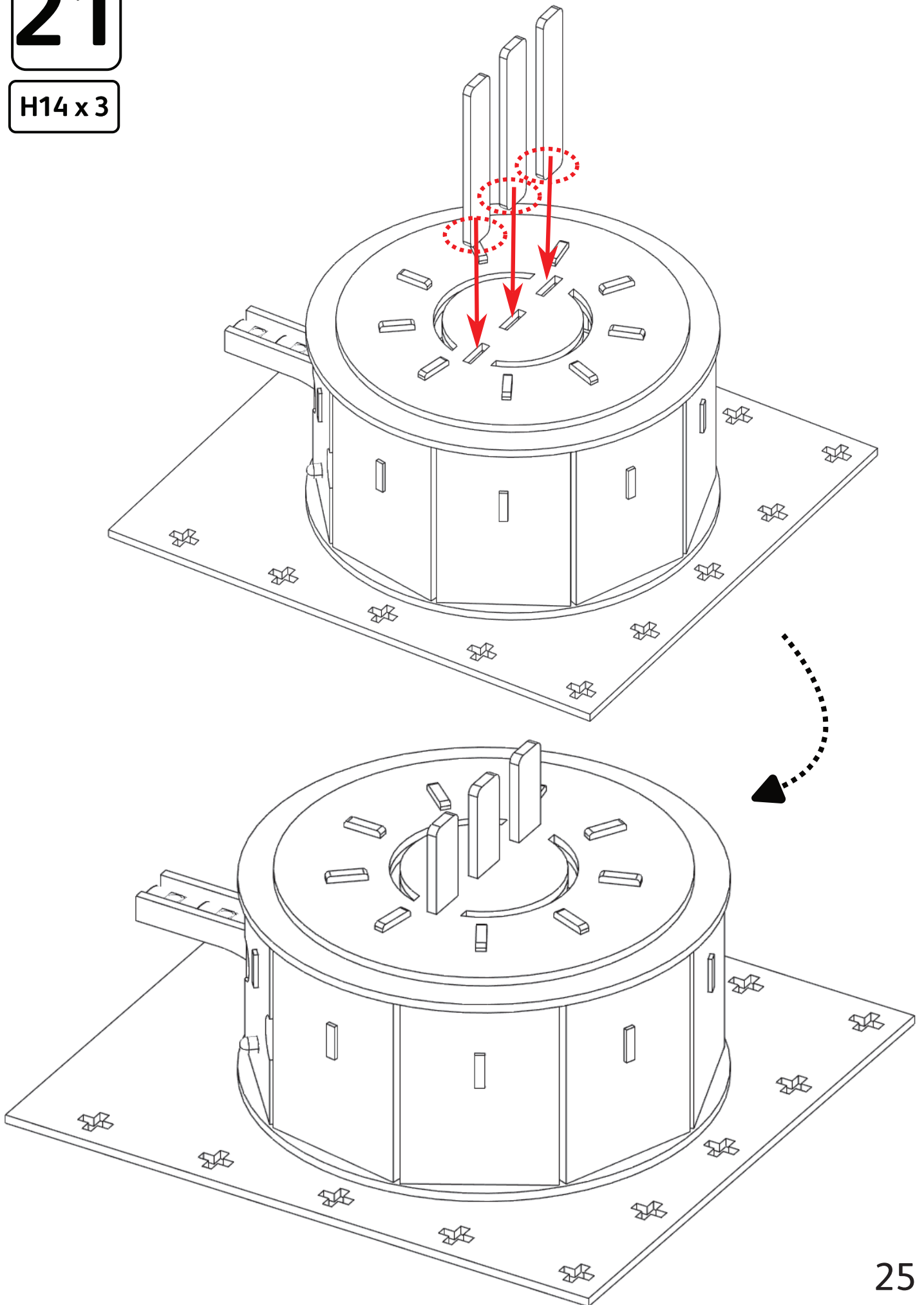
H12 x 1

H12



21

H14 x 3





Powered by
Rewise

Romania