



GFG
FOUNDATION

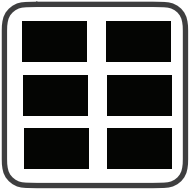
Powered by
Rewise

GFG Foundation Provocarea STEAM

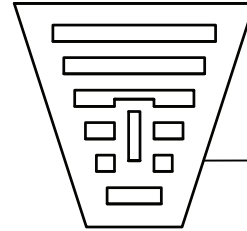
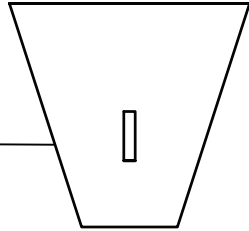
Furnalul

România



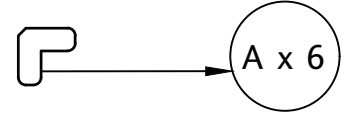
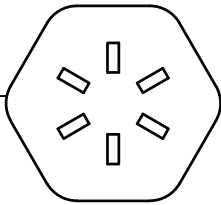


D6 x 3



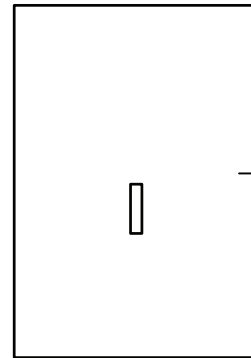
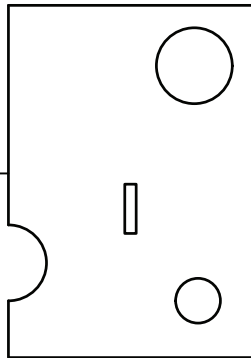
D7 x 3

D5 x 1



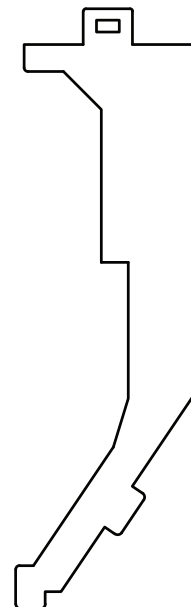
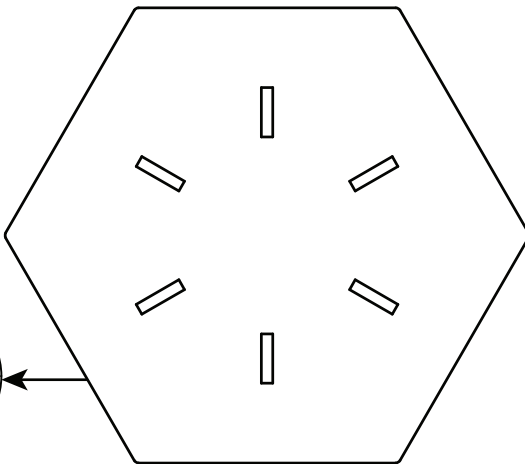
A x 6

D3 x 1



D4 x 5

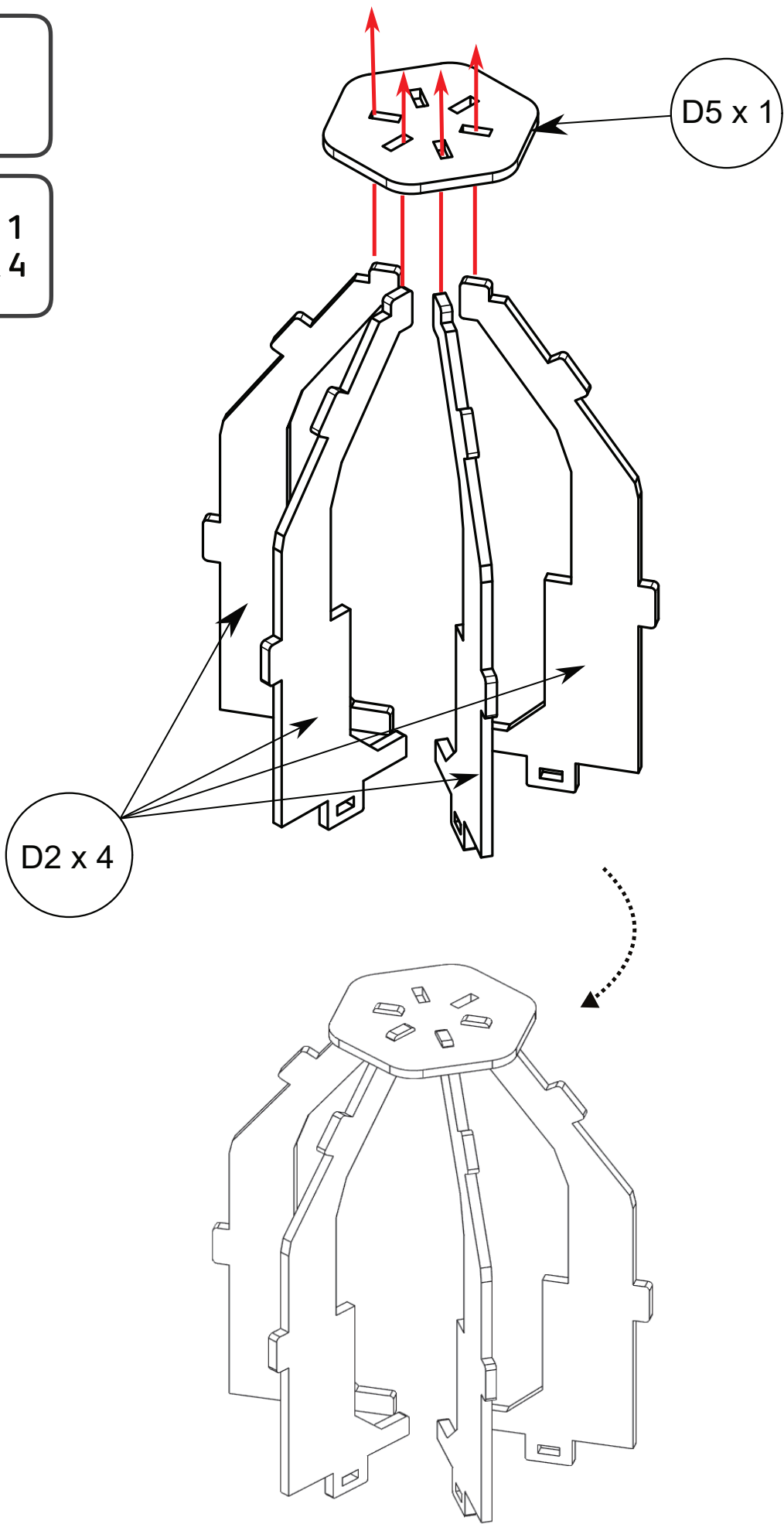
D1 x 1



D2 x 6

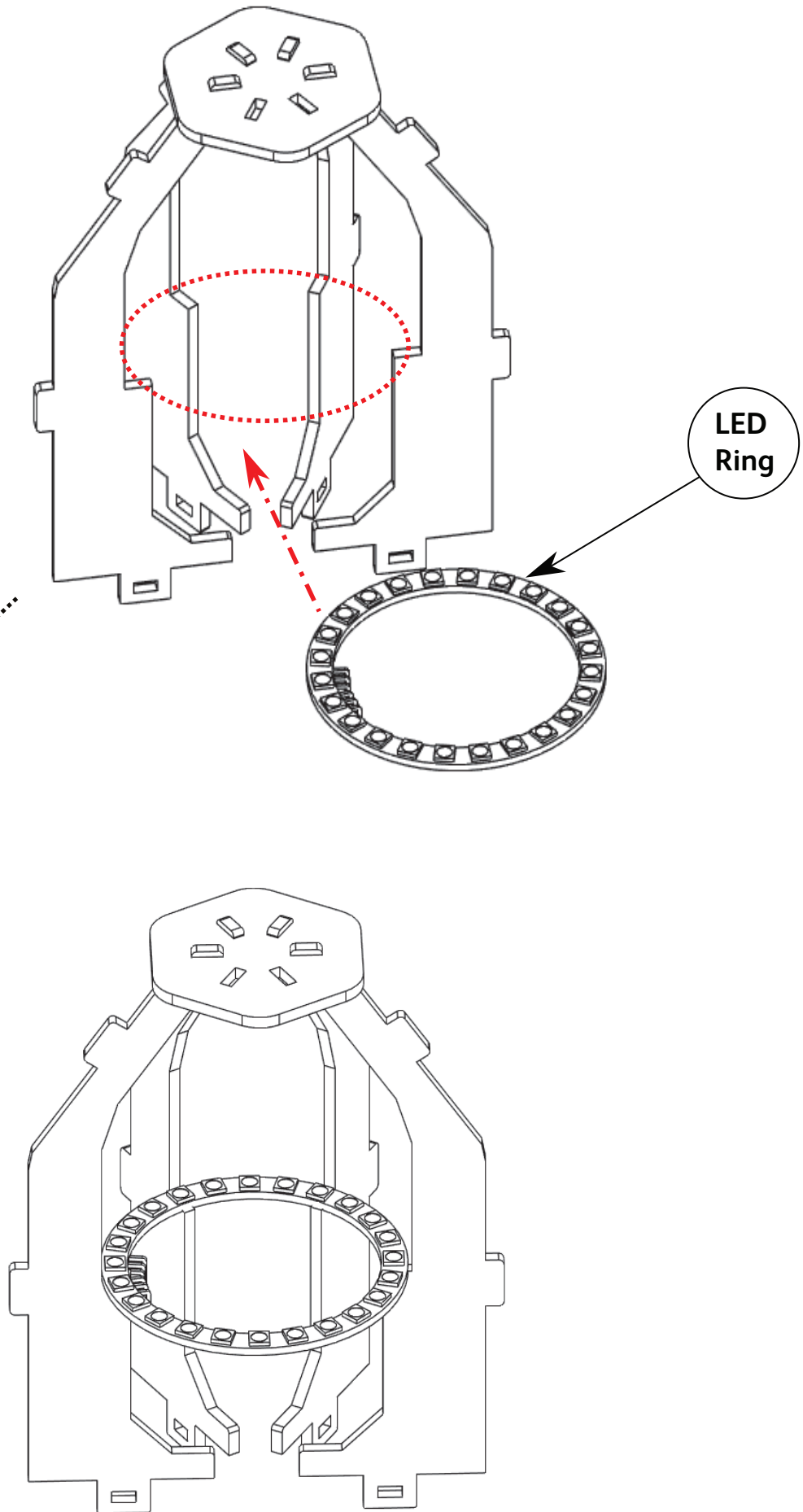
1

D5 x 1
D2 x 4



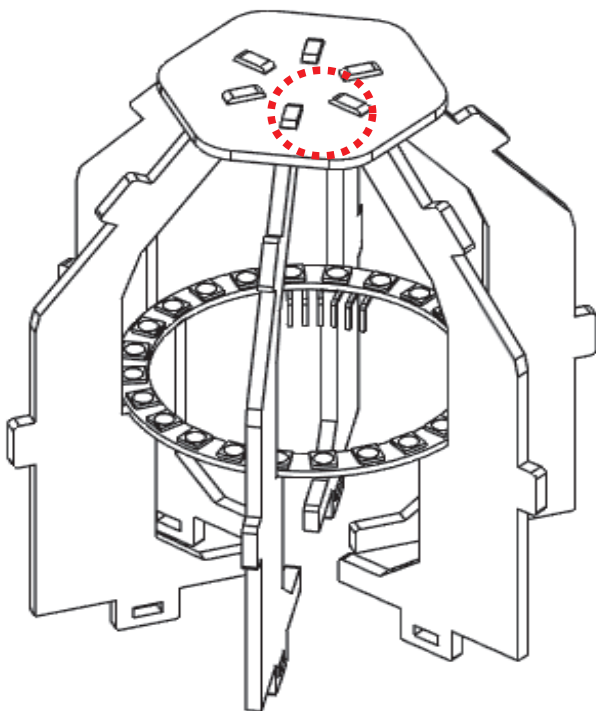
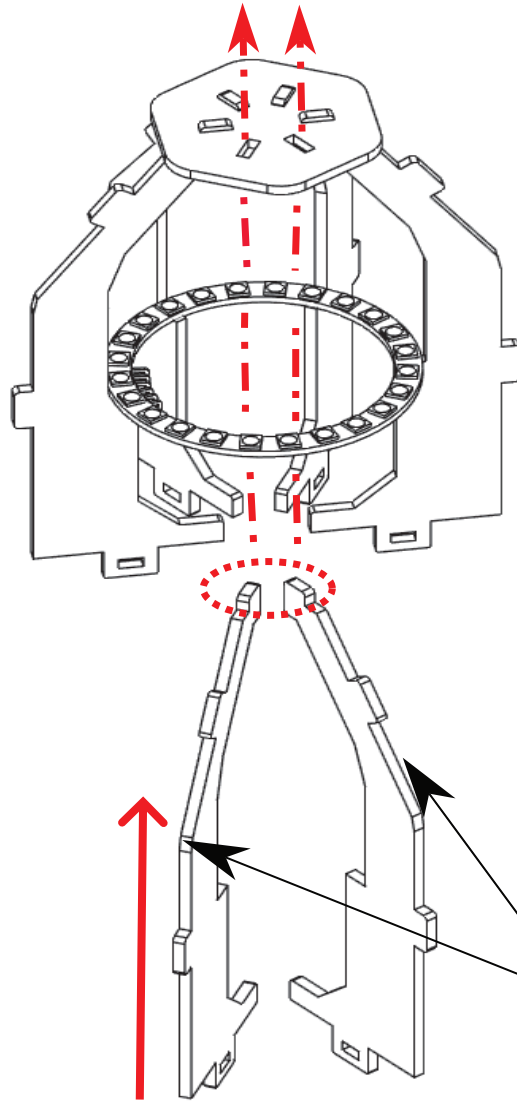
2

1 x LED
Ring



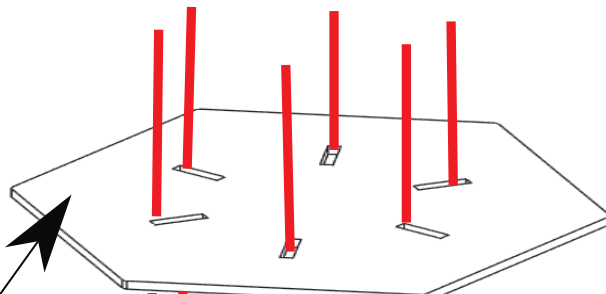
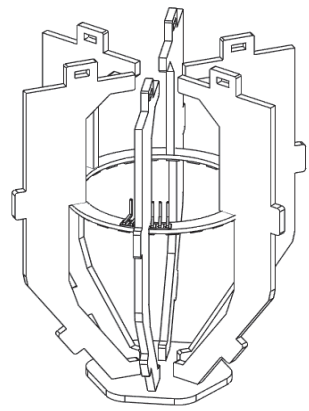
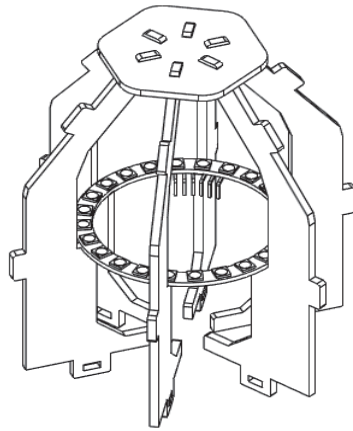
3

2 x D2

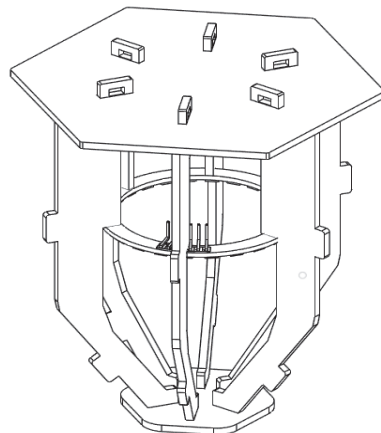
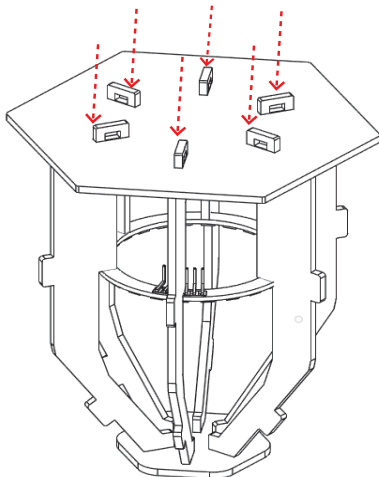
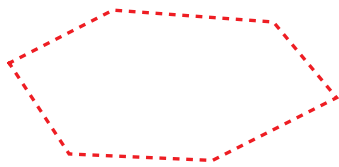
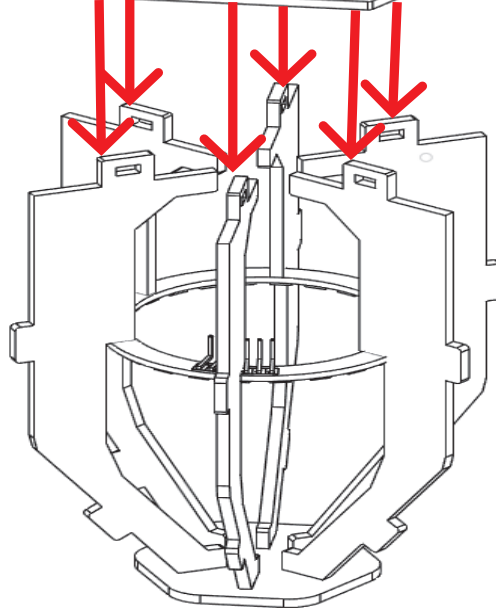


4

1 x D1

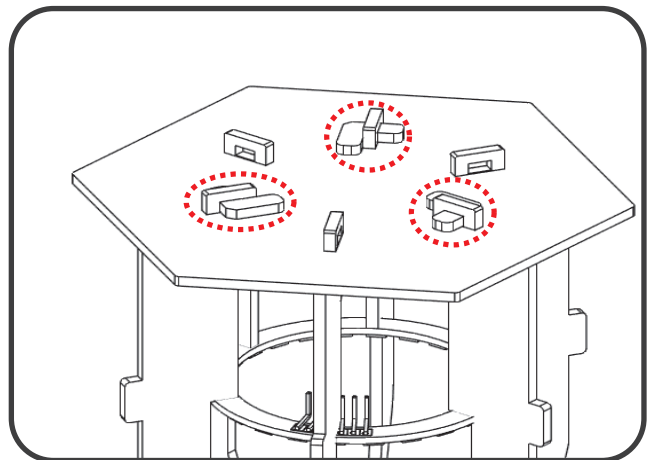
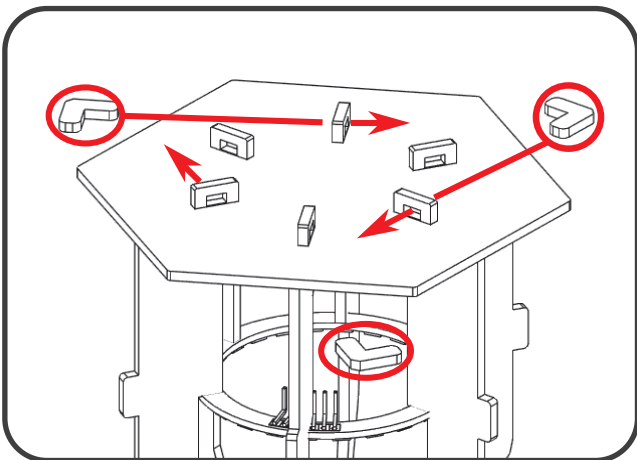
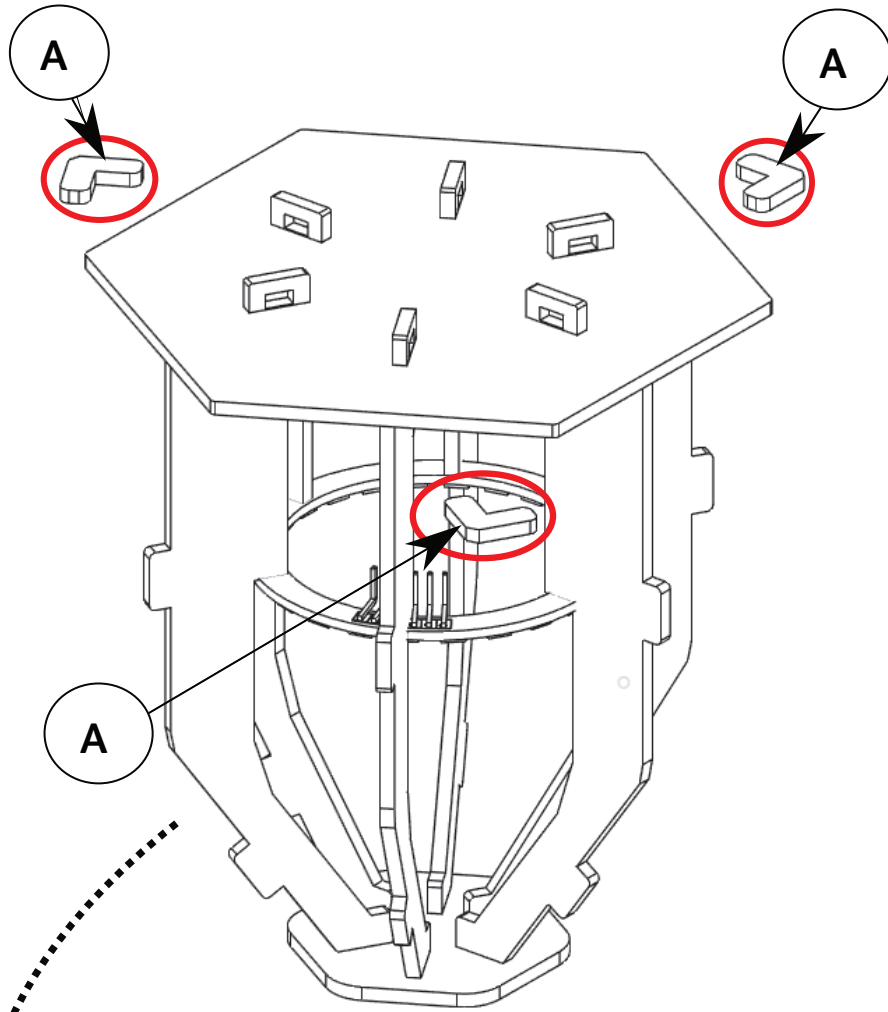


D1



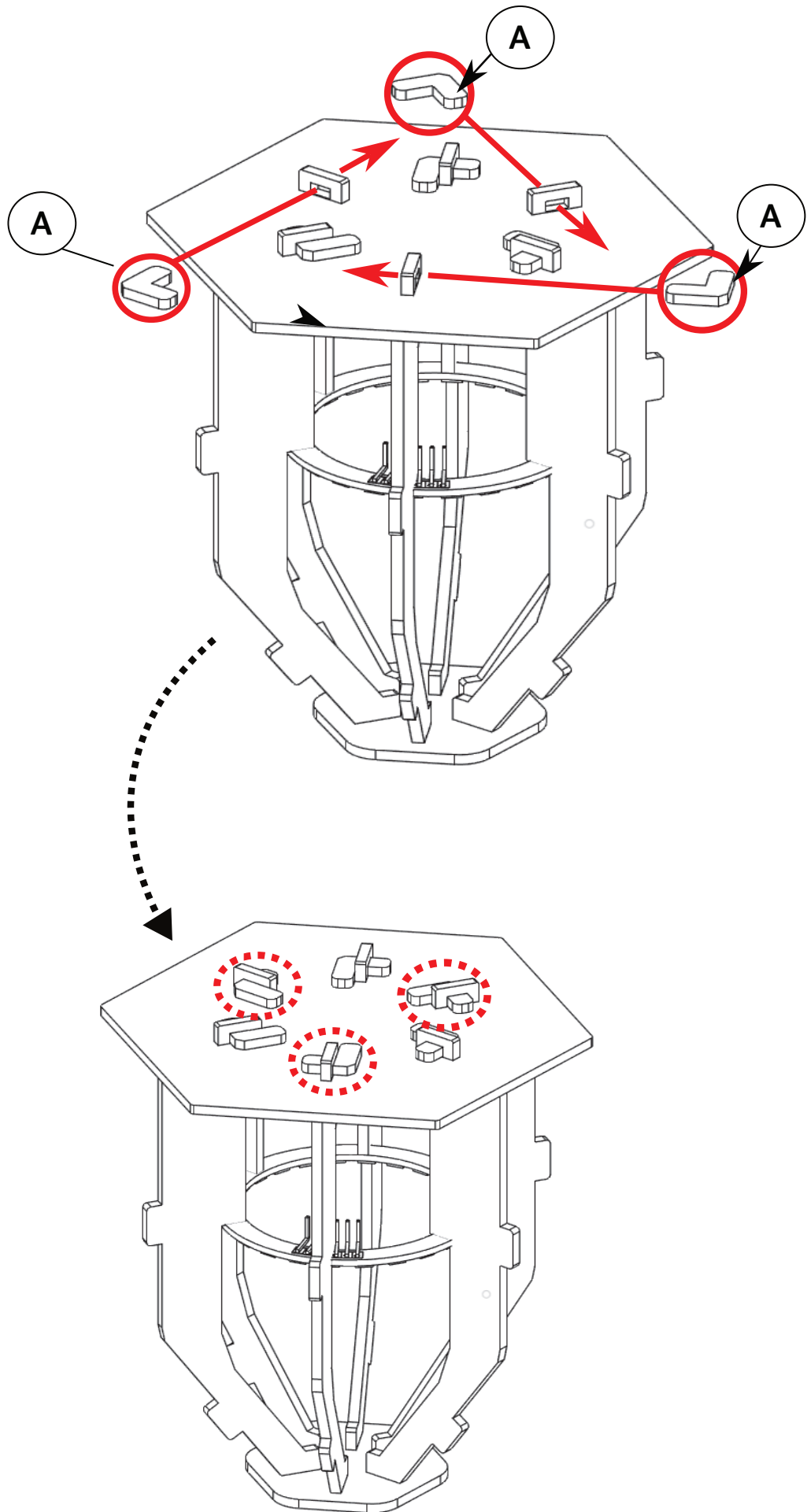
5

3 x A



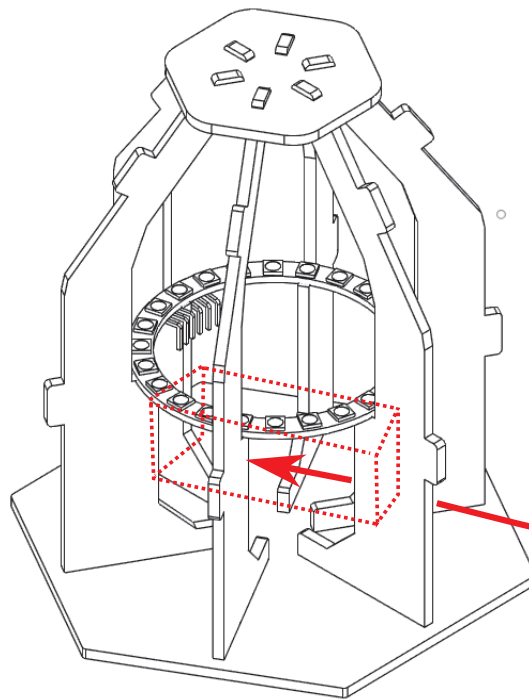
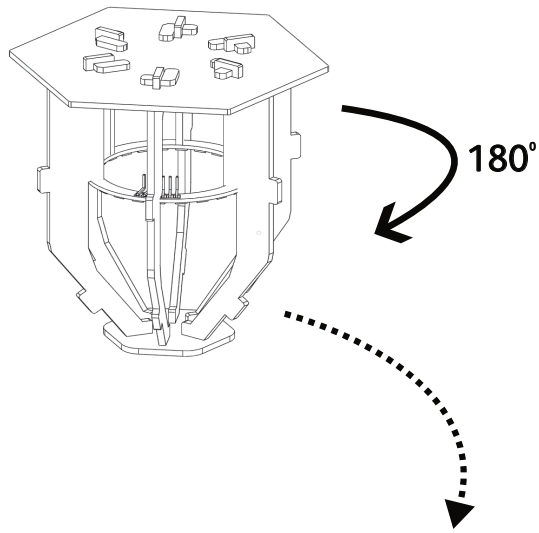
6

3 x A

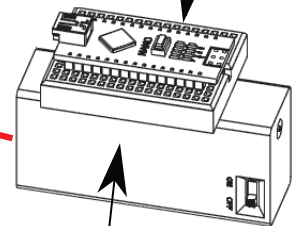


7

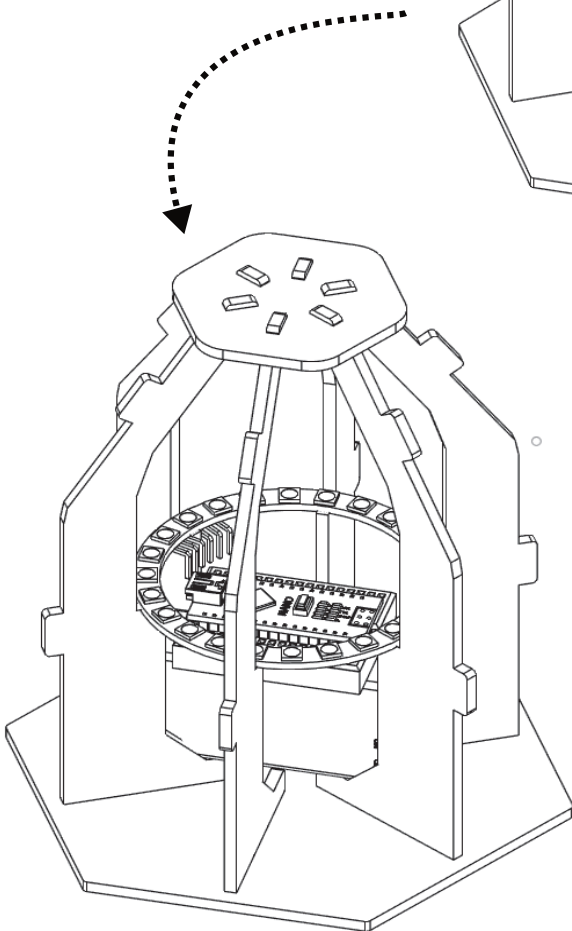
1 x 9V
Battery Pack
1 x Arduino
Nano
1 x Breadboard



Arduino
Nano +
Breadboard

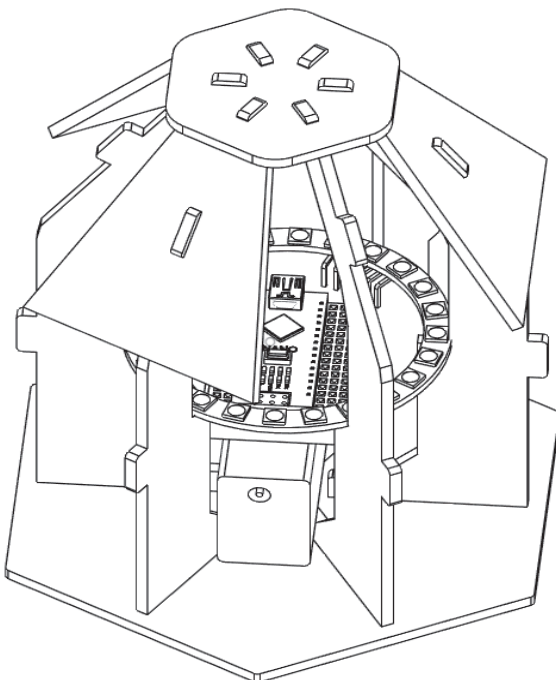
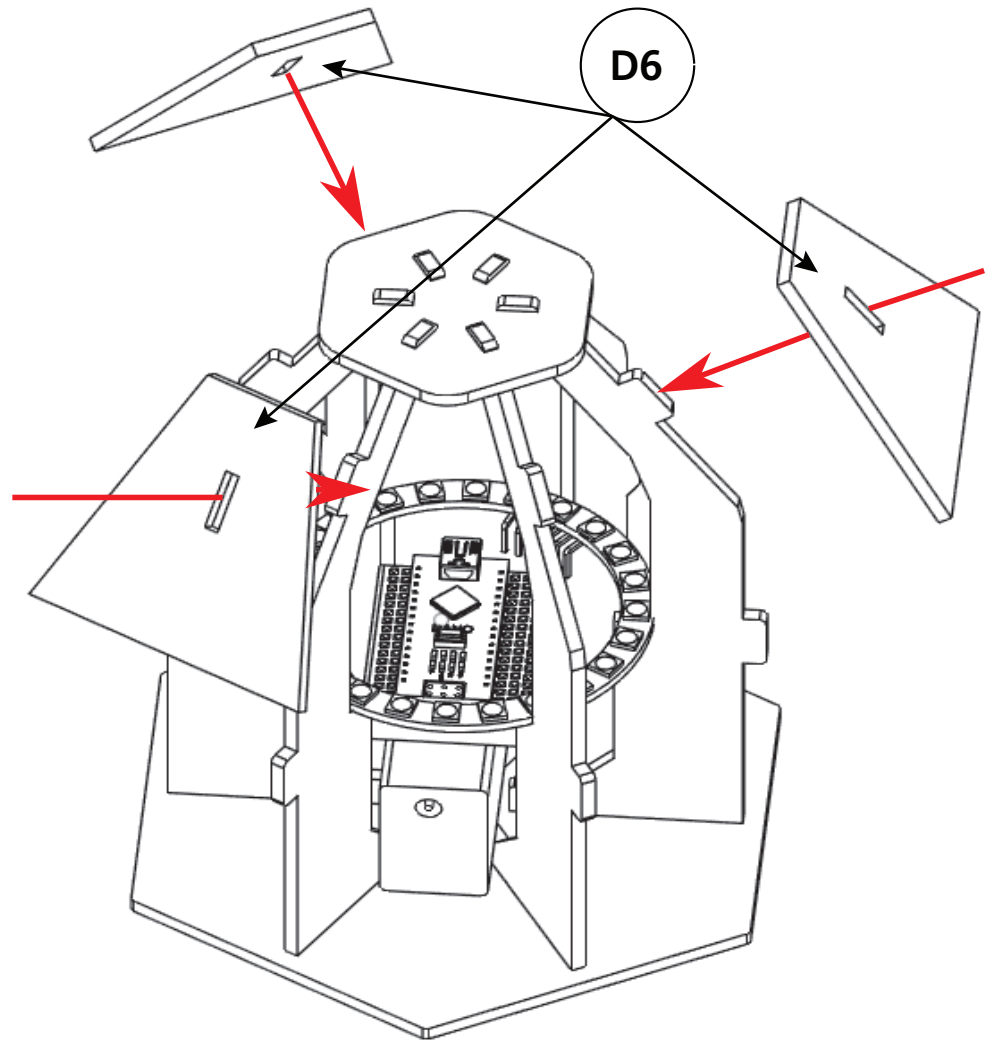


9V
Battery
Pack



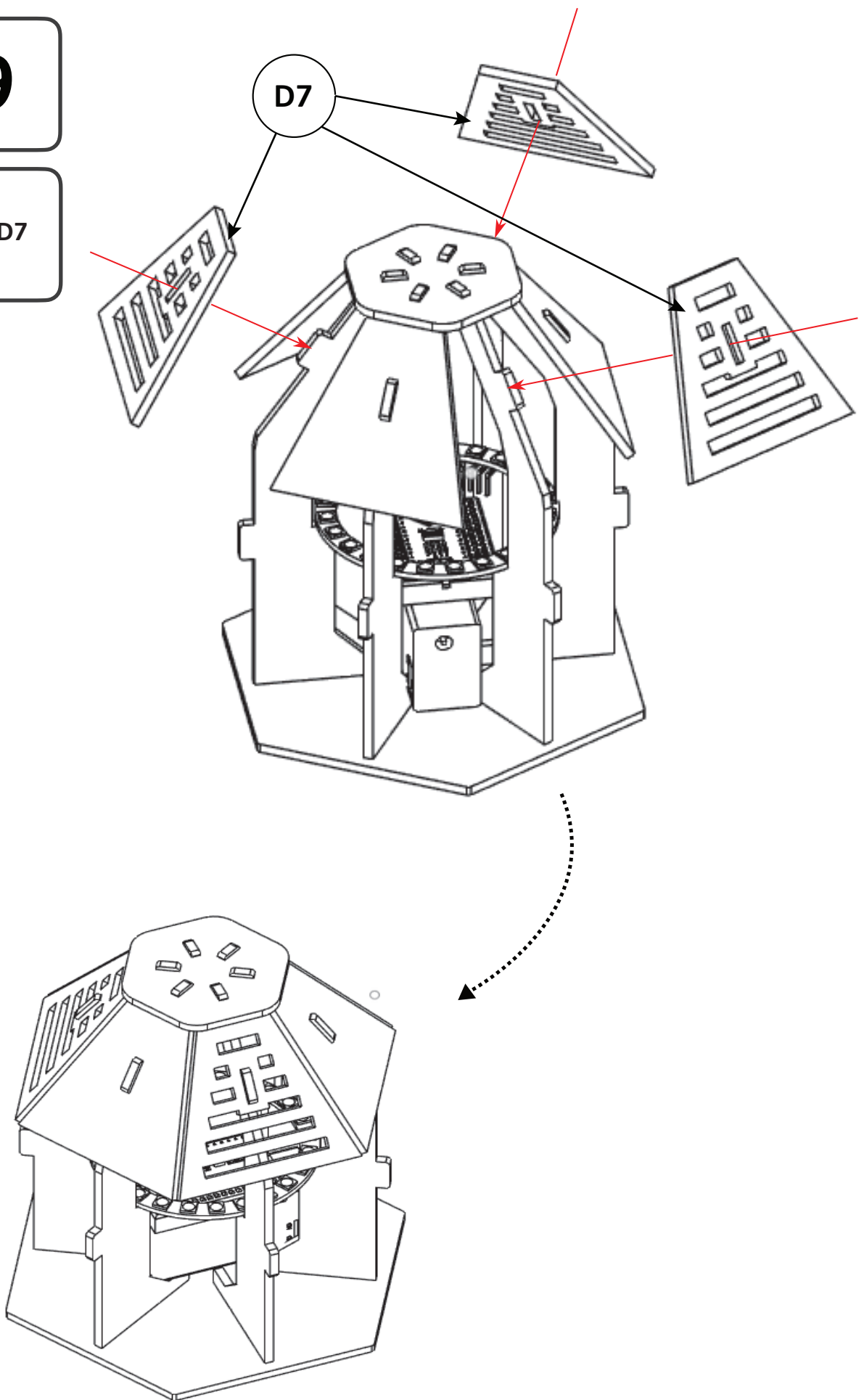
8

3 x D6



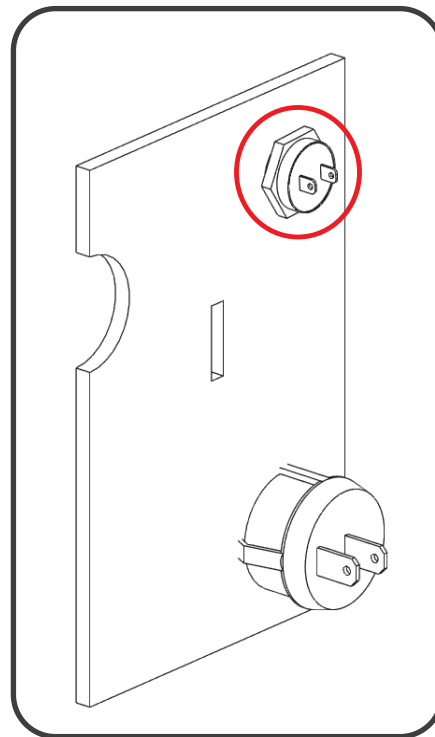
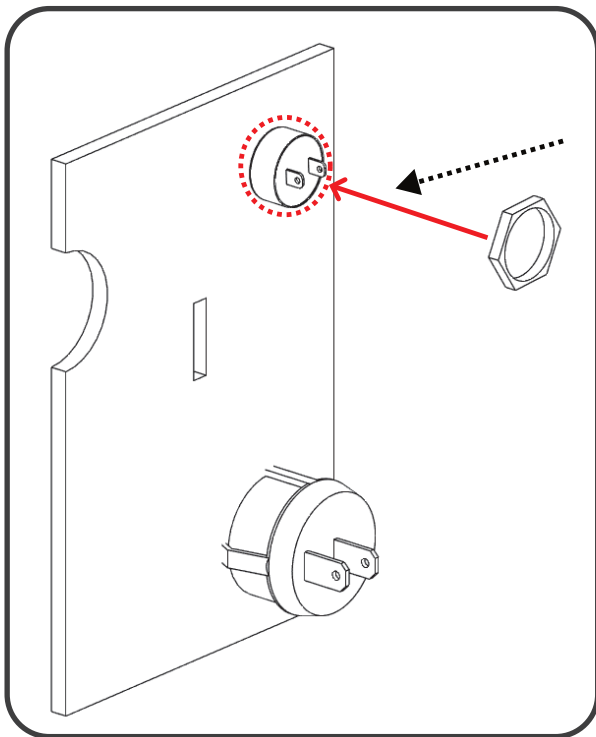
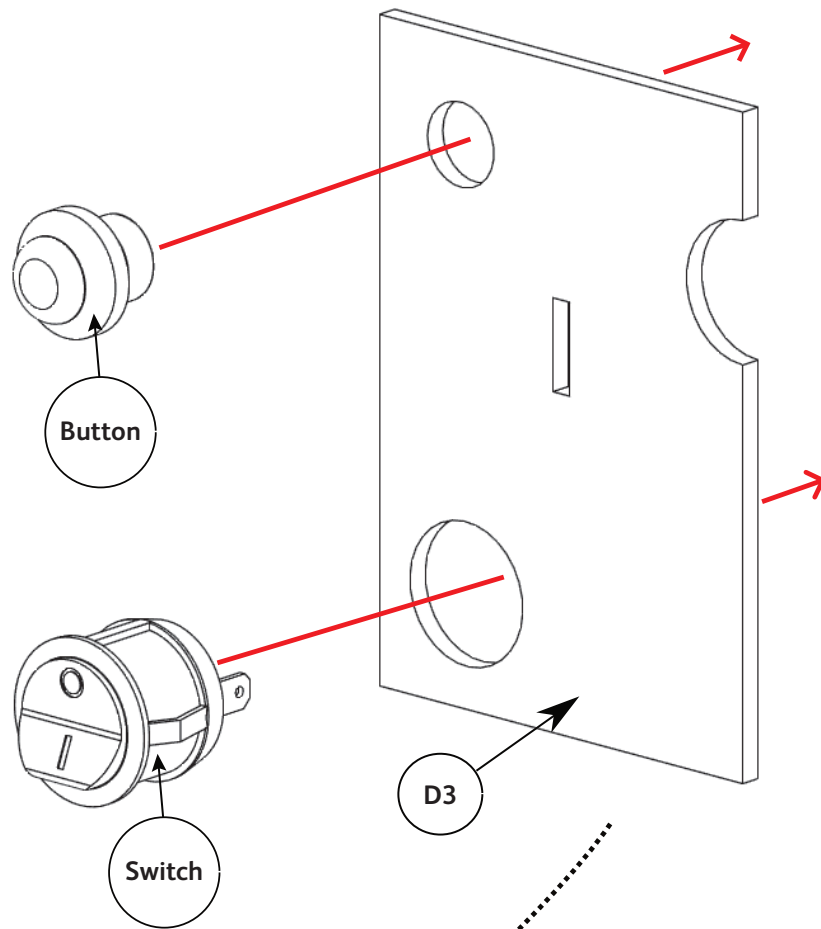
9

3 x D7

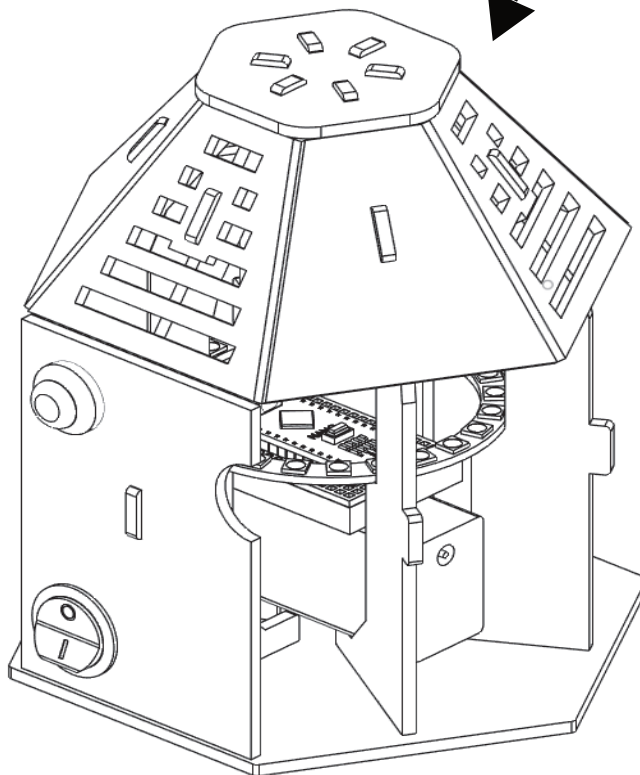
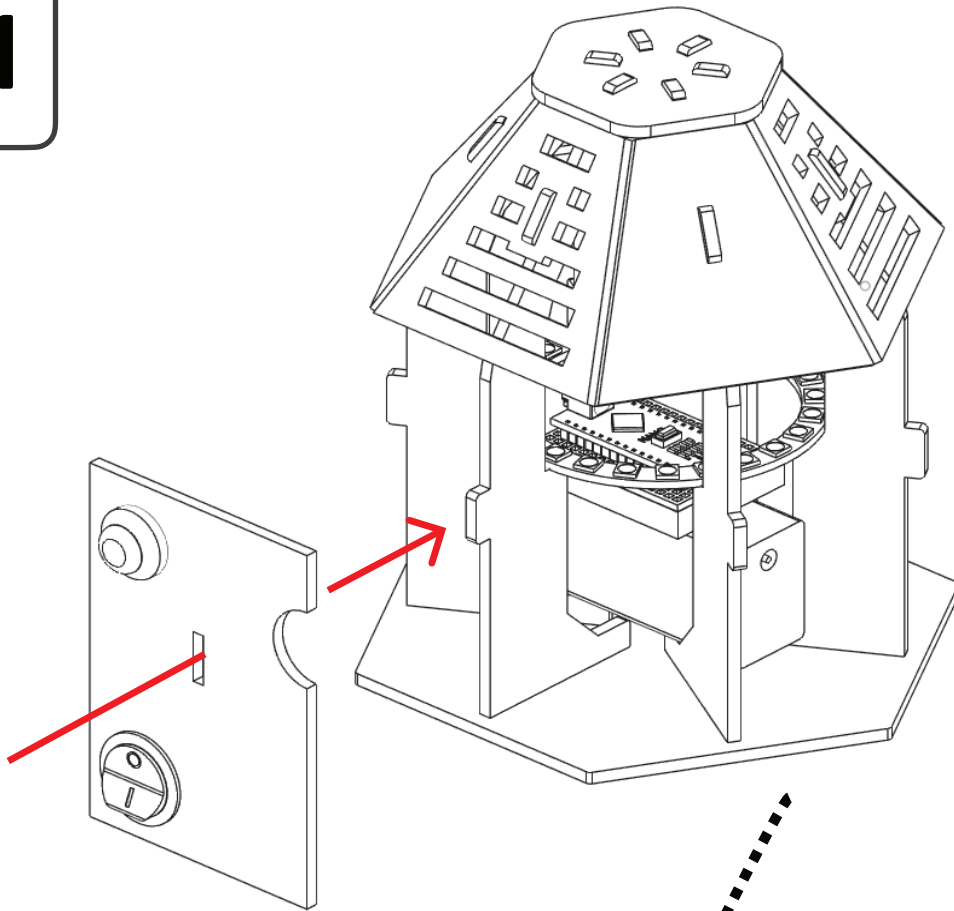


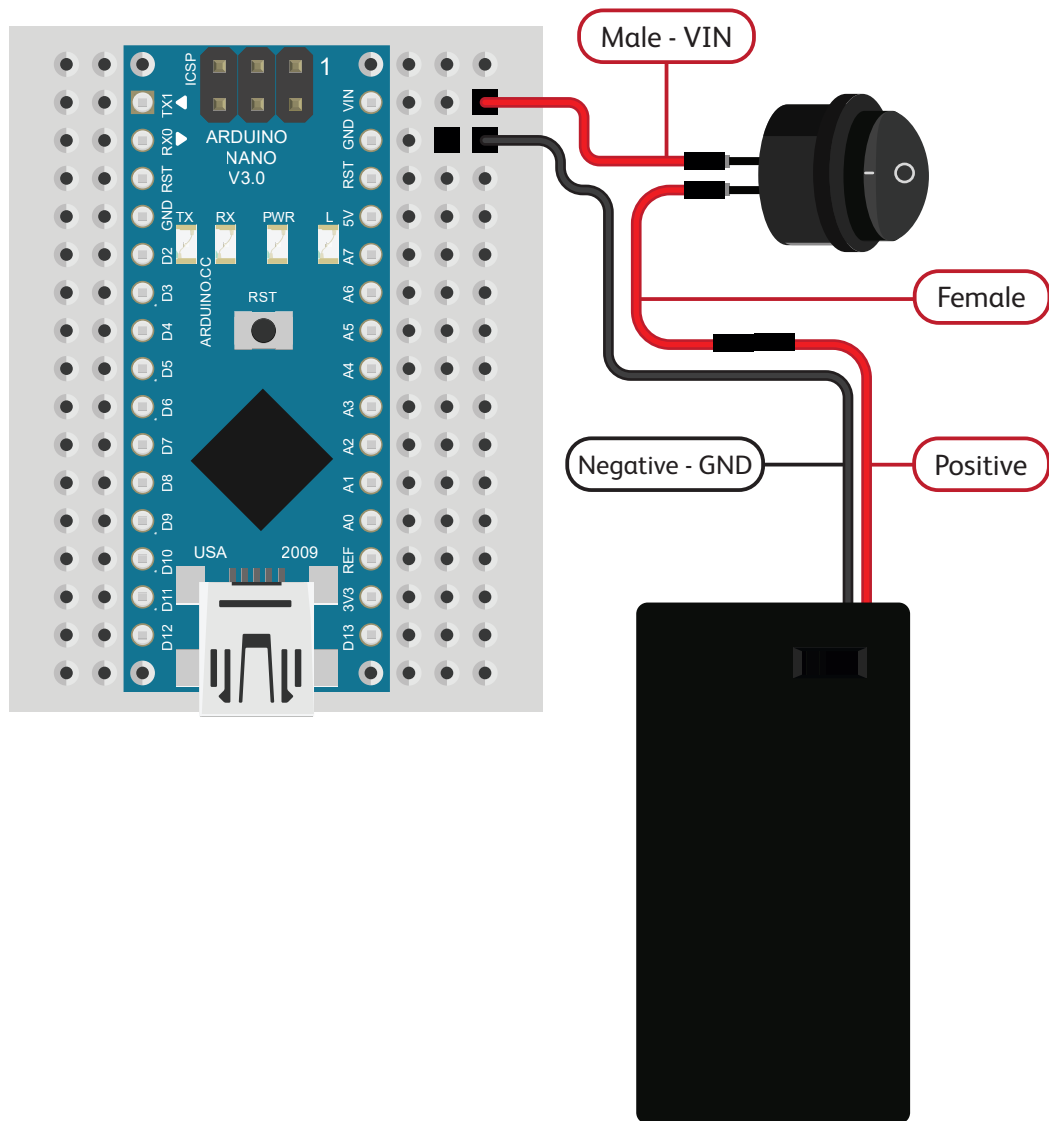
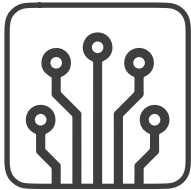
10

1 x D3
1 x Button
1 x Switch



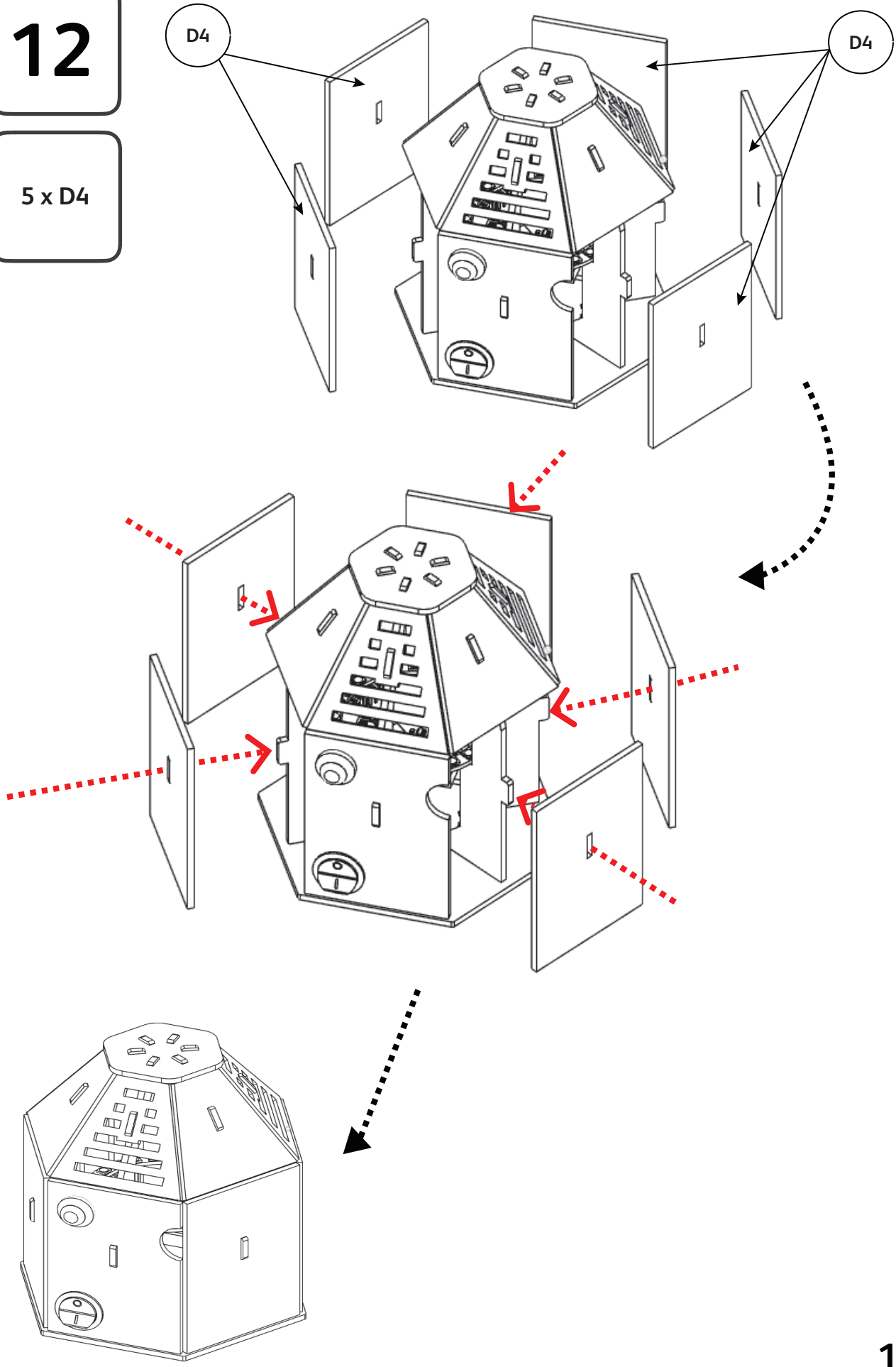
11

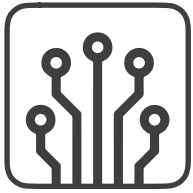




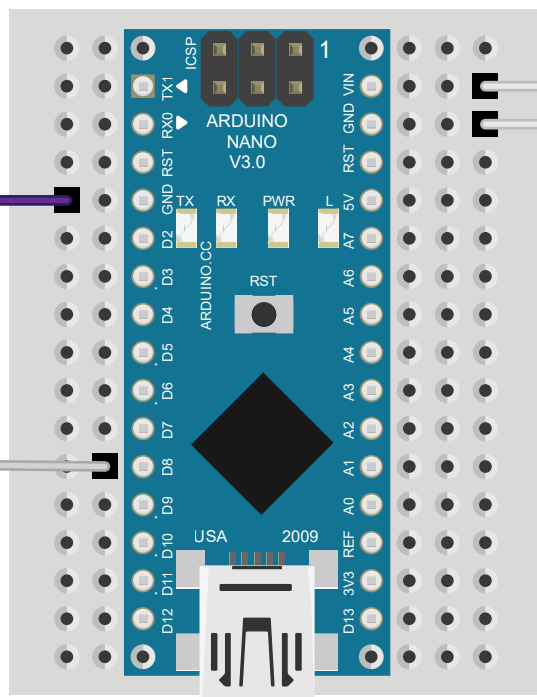
12

5 x D4

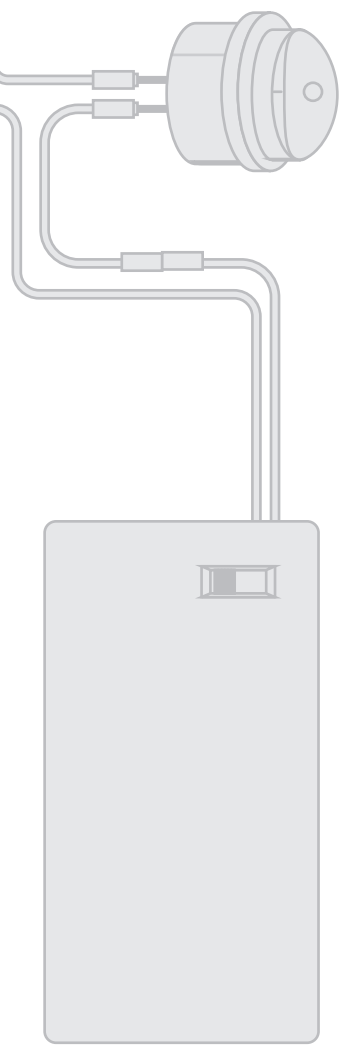


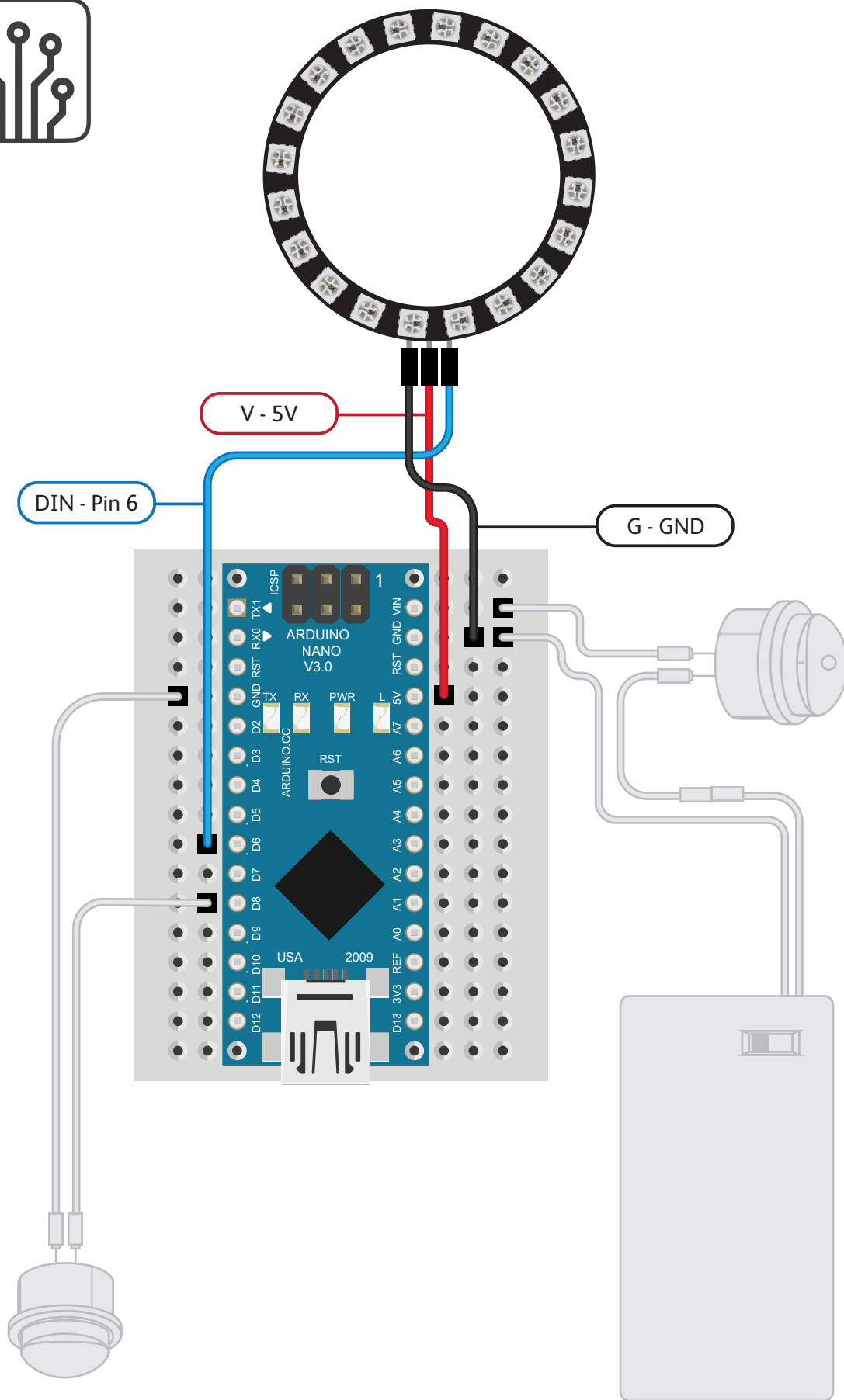
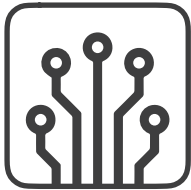


Negative - GND



Positive - Pin 8







Powered by
Rewise

Romania